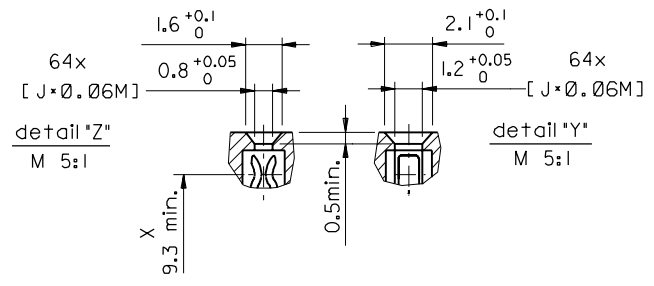
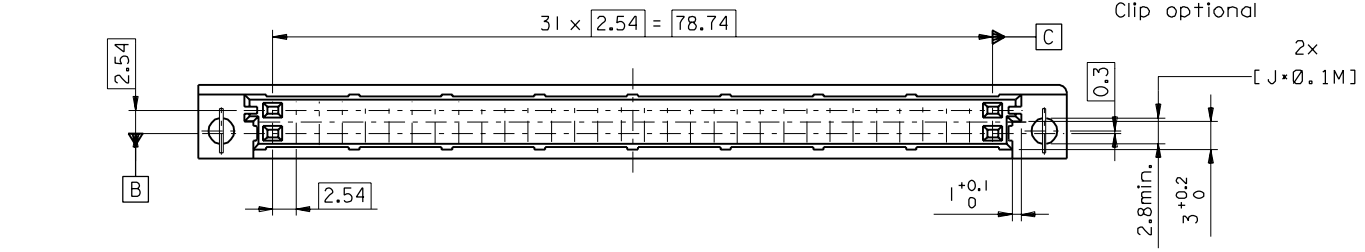
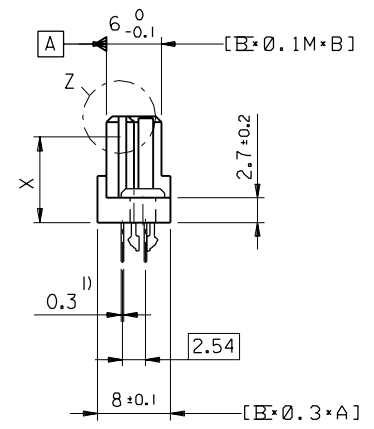
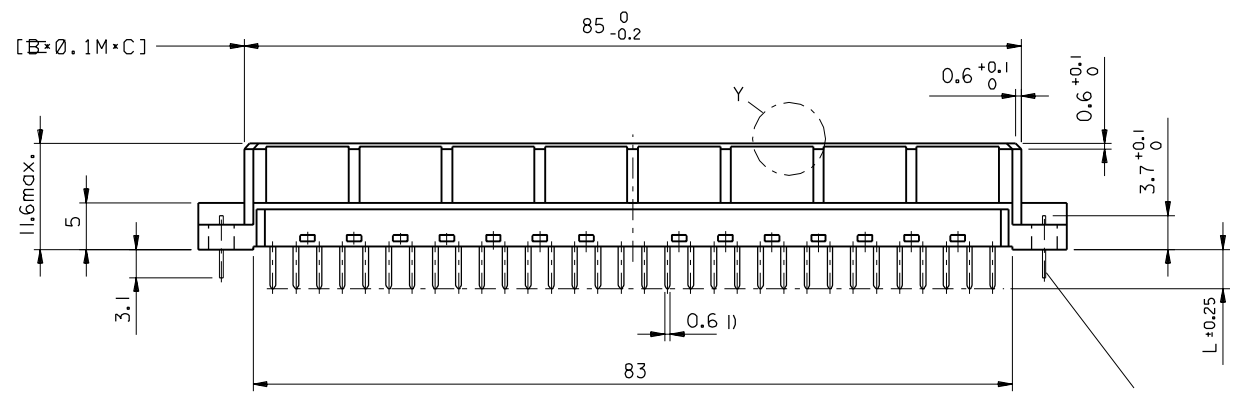


1) tails to fit in PC-board layout



ECN MG1998-2727 new fixing clip 98-04-14 Co	REVISIONS FOR PREVIOUS REVISIONS SEE MRI LIST	UNLESS OTHERWISE SPECIFIED TOLERANCES: ANGULAR ±2°	DRWG BY KN	SIGN	CAD/CAM PROJECT NAME 85040000 611	REVISE ONLY ON CAD SYSTEM	SH.	REV.
		INCH METRIC	CHK'D BY Ca	SIGN	THIS DRAWING CONTAINS INFORMATION THAT IS PROPRIETARY TO MOLEX INC. & SHOULD NOT BE USED WITHOUT WRITTEN PERMISSION			
		3 PLACE ±			TITLE 64 pos. Female connector DIN 41612 style B + clip Dimensions			
		2 PLACE ±			MOLEX EUROPE		SHEET NO. 1 OF 1	DATE 95/11/14
		1 PLACE ±			SCALE 2:1		PART NO. SDA-85040-0001	SIZE B
		DRAFT WHERE APPLICABLE MUST REMAIN WITHIN DIMENSIONS			MOLEX EUROPE			
		DESIGN DIMENSION	<input checked="" type="checkbox"/> MM					
		EQUIVALENT DIMENSION	<input type="checkbox"/> IN.					
			<input type="checkbox"/> MM					
			<input type="checkbox"/> IN.					
		IF TWO DIMENSIONS ARE SHOWN THE UPPER IS THE DESIGN DIMENSION, LOWER IS SECONDARY						

