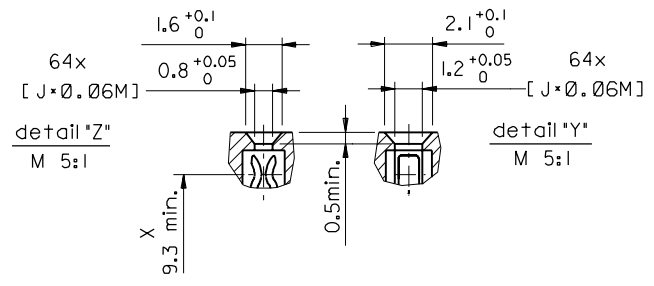
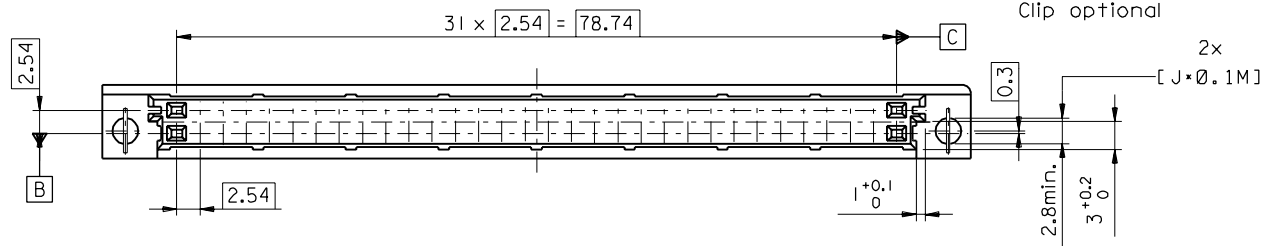
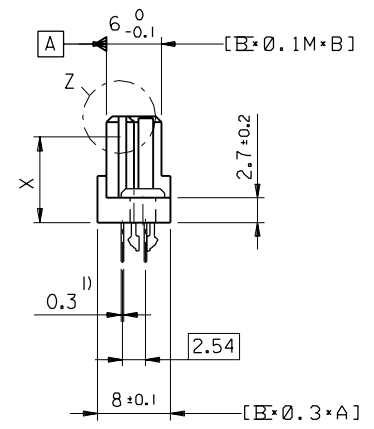
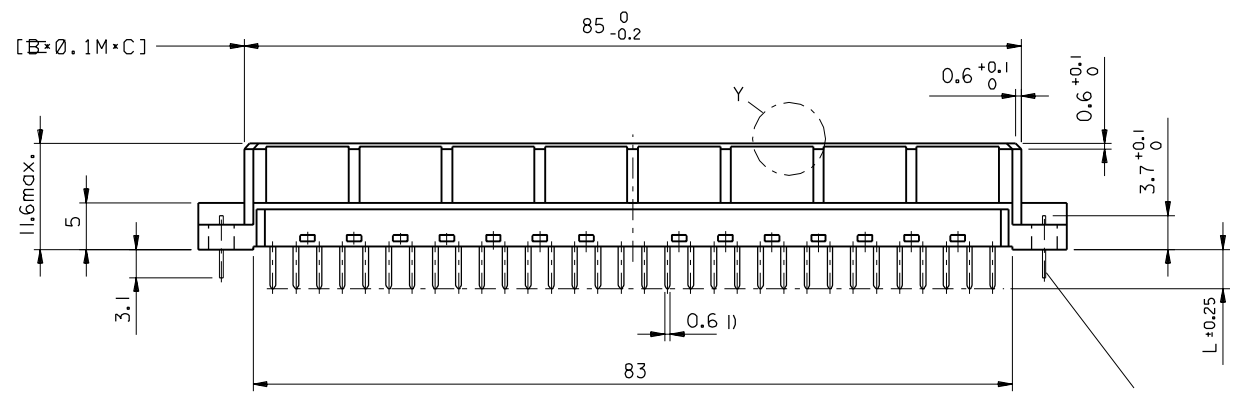


1) tails to fit in PC-board layout



ECN MG1998-2727 new fixing clip 98-04-14 Co	REVISIONS FOR PREVIOUS REVISIONS SEE MRI LIST	3 PLACE ±	±
		2 PLACE ±	±
		1 PLACE ±	±
DRAFT WHERE APPLICABLE MUST REMAIN WITHIN DIMENSIONS			
DESIGN DIMENSION		<input checked="" type="checkbox"/> MM	<input type="checkbox"/> IN.
EQUIVALENT DIMENSION		<input type="checkbox"/> MM	<input type="checkbox"/> IN.
IF TWO DIMENSIONS ARE SHOWN THE UPPER IS THE DESIGN DIMENSION, LOWER IS SECONDARY			

FIRST ANGLE PROJECTION		REVISE ONLY ON CAD SYSTEM		SH.	REV.
DRWG BY KN	SIGN	CAD/CAM PROJECT NAME 85040000 611	THIS DRAWING CONTAINS INFORMATION THAT IS PROPRIETARY TO MOLEX INC. & SHOULD NOT BE USED WITHOUT WRITTEN PERMISSION		
CHK'D BY Ca	SIGN	TITLE 64 pos. Female connector DIN 41612 style B + clip Dimensions			
APP'D BY JB	SIGN	MOLEX EUROPE		SHEET NO. 1 OF 1	DATE 95/11/14
SCALE 2:1		PART NO.	DWG NO. SDA-85040-0001	SIZE B	

