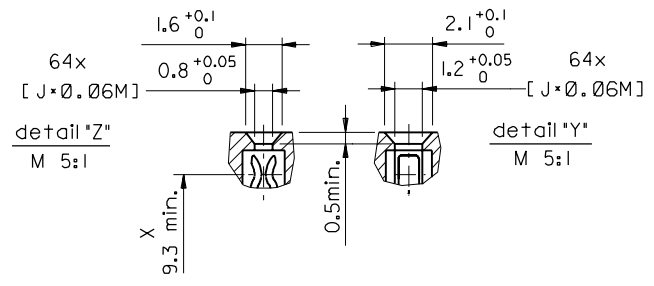
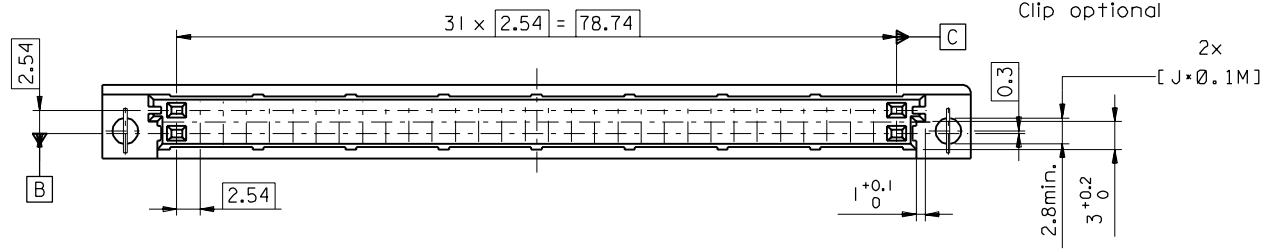
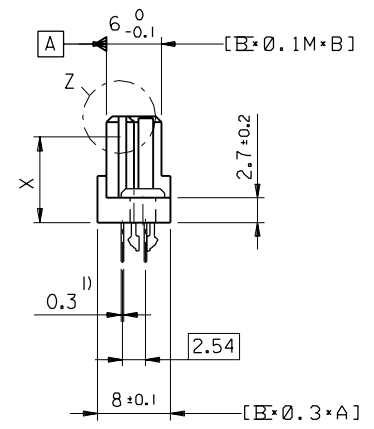
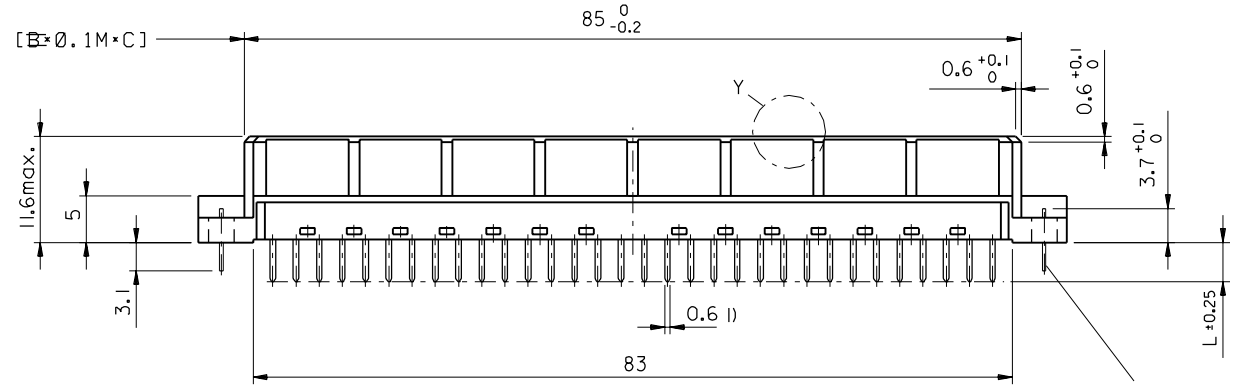


1) tails to fit in PC-board layout



ECN MG1998-2727 new fixing clip 98-04-14 Co	REVISIONS FOR PREVIOUS REVISIONS SEE MRI LIST	3 PLACE ±	±	DRWG BY KN	SIGN	CAD/CAM PROJECT NAME 85040000 611	REVISE ONLY ON CAD SYSTEM	SH.	REV.
		2 PLACE ±	±					CHK'D BY Ca	SIGN
C	LTR	1 PLACE ±	±	APP'D BY JB	SIGN	MOLEX EUROPE	SHEET NO. DATE 1 OF 1 95/11/14	PART NO. SDA-85040-0001	SIZE B
		DESIGN DIMENSION	<input checked="" type="checkbox"/> MM <input type="checkbox"/> IN.						
		EQUIVALENT DIMENSION	<input type="checkbox"/> MM <input type="checkbox"/> IN.						

