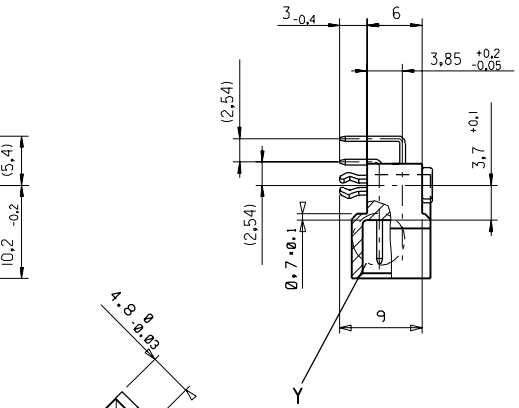
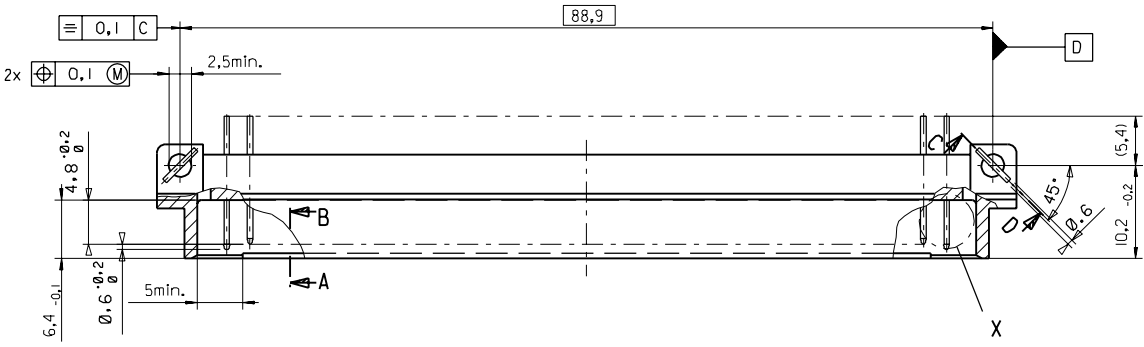
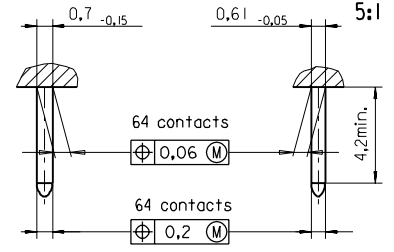
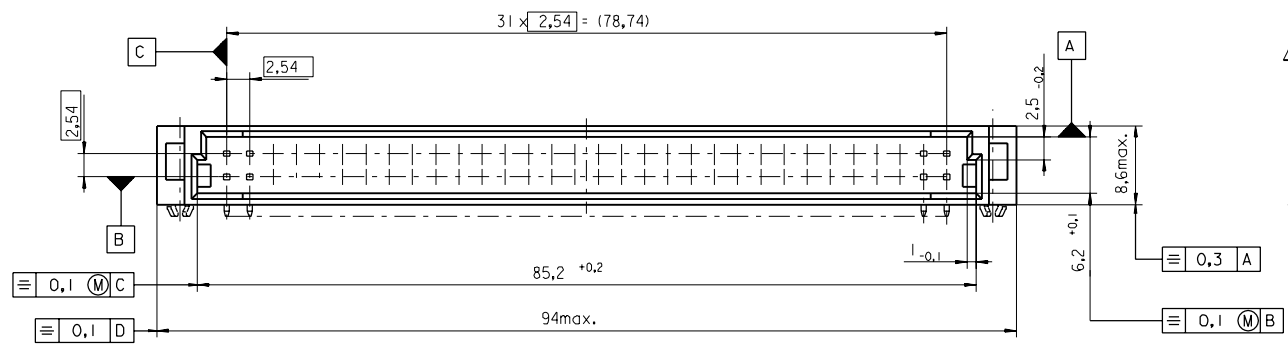


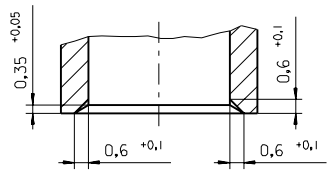
PART NO.
DWG. NO.

View X
5:1
View Y
5:1



Section C - D

Section A - B
5:1



FIRST ANGLE PROJECTION		REVISE ONLY ON CAD SYSTEM		SH.	REV.
first release see ECN No. 1887	REVISIONS FOR PREVIOUS REVISIONS SEE MRI LIST	DRWG BY	SIGN	CAD/CAM PROJECT NAME 85001000 S11	
		CHK'D BY	SIGN	THIS DRAWING CONTAINS INFORMATION THAT IS PROPRIETARY TO MOLEX INC. & SHOULD NOT BE USED WITHOUT WRITTEN PERMISSION	
A	LTR	APP'D BY	SIGN	TITLE 64 pos. Male connector acc. DIN 41612 style B Dimensions	
		SCALE 2:1		SHEET NO. DATE 1 OF 95/06/06	
IF TWO DIMENSIONS ARE SHOWN THE UPPER IS THE DESIGN DIMENSION, LOWER IS SECONDARY		MOLEX MOLEX EUROPE		PART NO. DWG NO. SIZE SDA-85001-0001 B	

