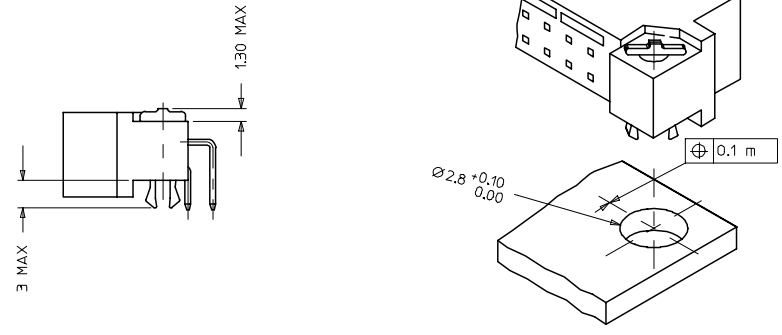


WITH MOUNTING CLIPS

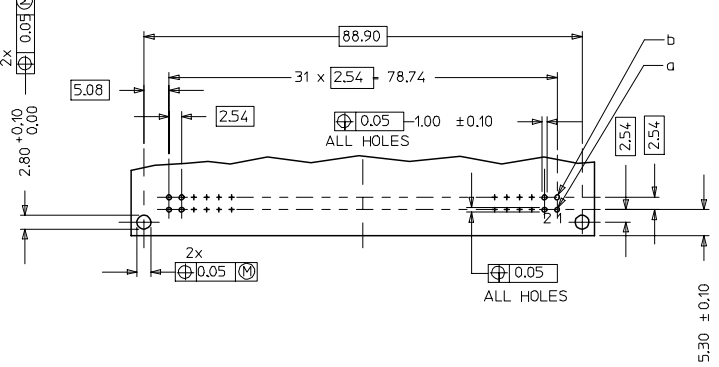
8:1



NOTES:

- MATERIALS: THERMX (PCT), GLASS FILLED, UL94V-0.COLOUR: NATURAL
TERMINAL - BRASS
MOUNTING CLIP: STEEL
- FINISH: TERMINAL-
CONTACT AREA
1. PERFORMANCE LEVEL 1: SELECTIVE GOLD (Au), THICKNESS = 1.1 MICROMETER
OVER NICKEL, THICKNESS = 1.25 MICROMETER
2. PERFORMANCE LEVEL 2: SELECTIVE GOLD (Au), THICKNESS = 0.6 MICROMETER
OVER NICKEL, THICKNESS = 1.25 MICROMETER
3. PERFORMANCE LEVEL 3: SELECTIVE GOLD (Au), THICKNESS = 0.3 MICROMETER
OVER NICKEL, THICKNESS = 1.25 MICROMETER
TERMINATION AREA:
SELECTIVE TIN , THICKNESS = 2.5 MICROMETER
OVER NICKEL, THICKNESS = 1.25 MICROMETER OVERALL
- MOUNTING CLIP:-
TIN (Sn), THICKNESS = 5-10 MICROMETER,
OVER NICKEL (Ni), THICKNESS = 2.5 MICROMETER
- FOR NON MOUNTING CLIP OPTION, CONNECTOR TO BE SECURED WITH RIVETS: 2 TUBULAR RIVETS 2.5 x 0.3 _ DIN 7340
SCREWS: 2 CHEESEHEAD SCREWS M2.5 x ... DIN 84 AND 2 HEXAGONAL NUTS M2.5 DIN 934
- MATERIAL NUMBER, BATCH CODE, UL AND CSA MARKING TO BE PRINTED ON THE CONNECTOR
- CUT FACE OF TIP WITHOUT PLATING PERMITTED
- PRODUCT SPECIFICATION PS : 85003-0001

RECOMMENDED PCB LAYOUT COMPONENT SIDE



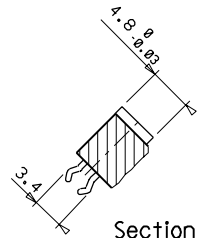
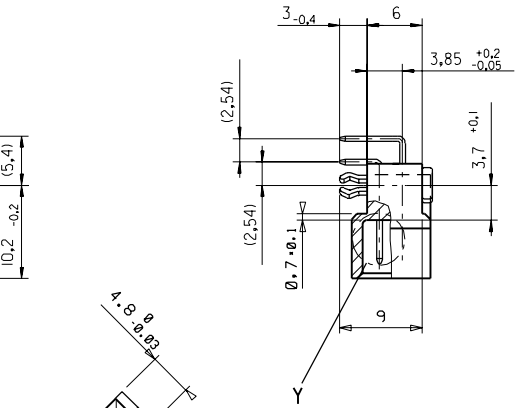
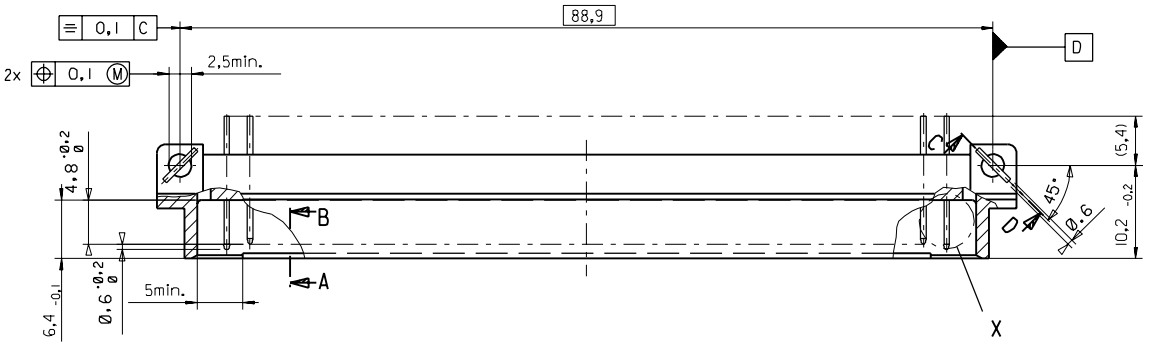
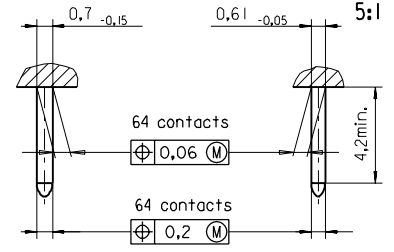
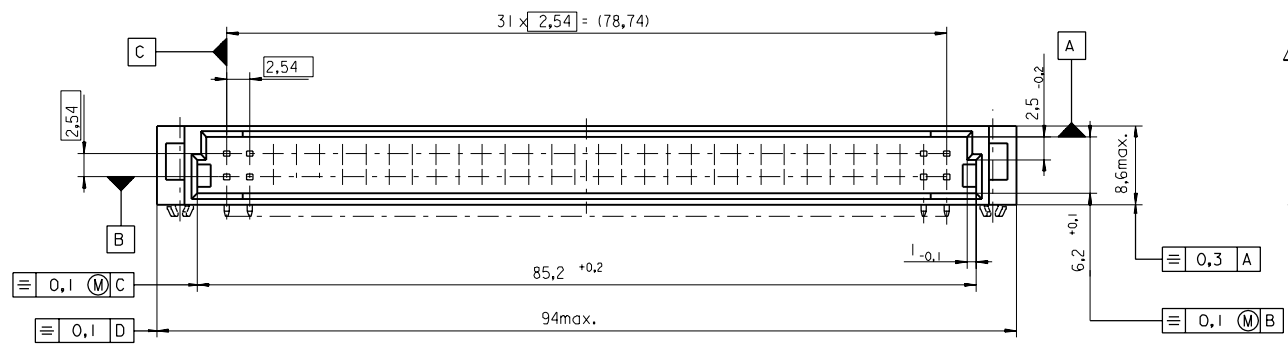
PRE MATING CONTACTS	5.4
NORMAL CONTACTS	4.8
	L

RoHS COMPLIANT

ENTER DESCRIPTION ELC NCL 12007-0193 DRAWING NO. 2007/01/08 CHKD/SUBDR 2007/01/08 APPROV/PASD 2007/01/09	QUALITY SYMBOLS ▽=0 ▽=0	GENERAL TOLERANCES (UNLESS SPECIFIED)		DIMENSION STYLE MM ONLY		SCALE 2:1	DESIGN UNITS METRIC	THIRD ANGLE PROJECTION
		4 PLACES ± --- ± --- 3 PLACES ± 0.05 ± --- 2 PLACES ± 0.1 ± --- 1 PLACE ± 0.15 ± ---	INCH ± --- ± --- ± ---	DRAWN BY SS	DATE 2004/04/06	CHECKED BY G J LOWE	DATE 2004/04/06	ASSEMBLY, DIN 41612, B MALE, 64 POS. HIGH TEMPERATURE CONNECTOR
DRAFT WHERE APPLICABLE MUST REMAIN WITHIN DIMENSIONS		SEE CHART		MATERIAL NO.		DOCUMENT NO.		SHEET NO.
		SIZE A 1		THIS DRAWING CONTAINS INFORMATION THAT IS PROPRIETARY TO MOLEX INCORPORATED AND SHOULD NOT BE USED WITHOUT WRITTEN PERMISSION		MOLEX INCORPORATED		4 OF

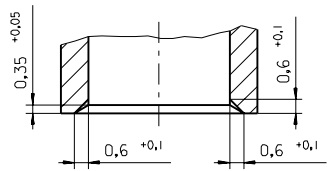
PART NO.
DWG. NO.

View X
5:1
View Y
5:1



Section C - D

Section A - B
5:1



FIRST ANGLE PROJECTION		REVISE ONLY ON CAD SYSTEM		SH.	REV.
first release see ECN No. 1887	REVISIONS FOR PREVIOUS REVISIONS SEE MRI LIST	UNLESS OTHERWISE SPECIFIED TOLERANCES: ANGULAR ±2°	DRWG BY Ca	CAD/CAM PROJECT NAME 85001000 S11	
		INCH METRIC	CHK'D BY KN	THIS DRAWING CONTAINS INFORMATION THAT IS PROPRIETARY TO MOLEX INC. & SHOULD NOT BE USED WITHOUT WRITTEN PERMISSION	
	3 PLACE ± . ±			TITLE 64 pos. Male connector acc. DIN 41612 style B Dimensions	
	2 PLACE ± . ±			SHEET NO. DATE 1 OF 95/06/06	
	1 PLACE ± . ±			MOLEX MOLEX EUROPE	
	DRAFT WHERE APPLICABLE MUST REMAIN WITHIN DIMENSIONS			PART NO. DWG NO. SIZE SDA-85001-0001 B	
	DESIGN DIMENSION <input checked="" type="checkbox"/> MM		SCALE 2:1		
	EQUIVALENT DIMENSION <input type="checkbox"/> MM				
IF TWO DIMENSIONS ARE SHOWN THE UPPER IS THE DESIGN DIMENSION, LOWER IS SECONDARY					

View on mating side

□	B	B	B	B	B	B	B	B	B	B	B	B	B	B	B	B	B	B	B	B
○	A	A	A	A	A	A	A	A	A	A	A	A	A	A	A	A	A	A	A	A

N T O M
 2 3 4 5
 6 7 8 9 10 11 12 13 14 15 16 17 18 19 20 21 22 23 24 25 26 27 28 29 30 31 32 33 34 35 36 37 38 39 40 41 42 43 44 45 46 47 48 49 50 51 52 53 54 55 56 57 58 59 60 61 62 63 64

A = 32 standard contacts L=3

B = 32 standard contacts L=3

S = 64 total number of contacts

Marking	Standard
Performance level	G2/0 = Contact area level2 / Termination tin
Flux proof	no
Fixing clip	yes
Dimensions	SDA-85001-0001 sht.1
Technical Data	PS-85003-0001
Housing Material	High Temperature (see PS-85003-001)

B	G2/0	b1-32
A	G2/0	a1-32
Contact symbol	Perform. level	Contact position number

ECN No. MG2001-0333 first release	REVISIONS		FOR PREVIOUS REVISIONS SEE MRI LIST	
	LTR	REVISIONS		
UNLESS OTHERWISE SPECIFIED TOLERANCES: ANGULAR ±2° INCH METRIC	DRWG BY Ca	SIGN	CAD/CAM PROJECT NAME	
3 PLACE ± .	CHK'D BY TM	SIGN	THIS DRAWING CONTAINS PROPRIETARY TO MOLEX INC. & SHOULD NOT BE USED WITHOUT WRITTEN PERMISSION	
2 PLACE ± .	APP'D BY KN	SIGN	TITLE	
1 PLACE ± .	SCALE	SIGN	64 pos. Male connector acc. DIN 41612 style B contacts arrangement	
DRAFT WHERE APPLICABLE MUST REMAIN WITHIN DIMENSIONS	DESIGN DIMENSION <input checked="" type="checkbox"/> MM <input type="checkbox"/> IN.	SHEET NO. DATE		
EQUIVALENT DIMENSION <input type="checkbox"/> MM <input type="checkbox"/> IN.	PART NO. DWG NO. DATE			
IF TWO DIMENSIONS ARE SHOWN, THE UPPER IS THE DESIGN DIMENSION, LOWER IS SECONDARY	85001-7005		SDA-85001-7005	
	MOLEX® EUROPE		1 OF 1 01/01/24	