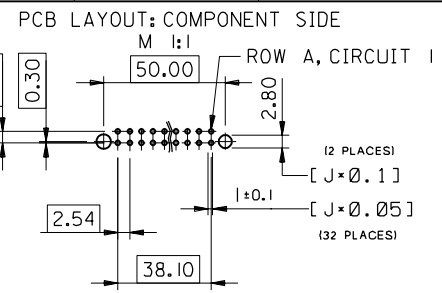
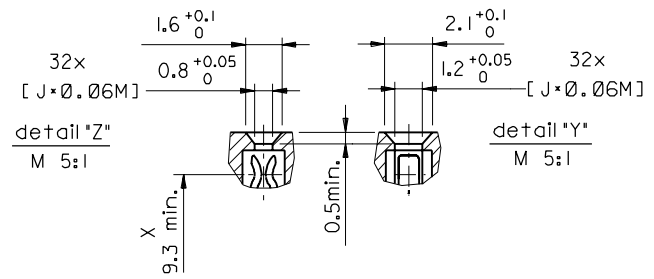
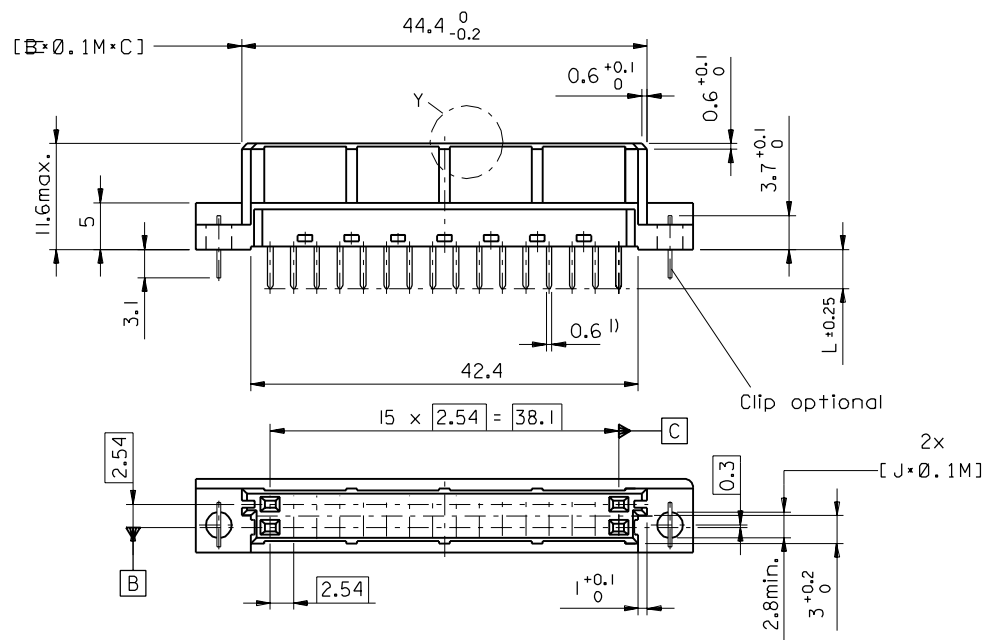
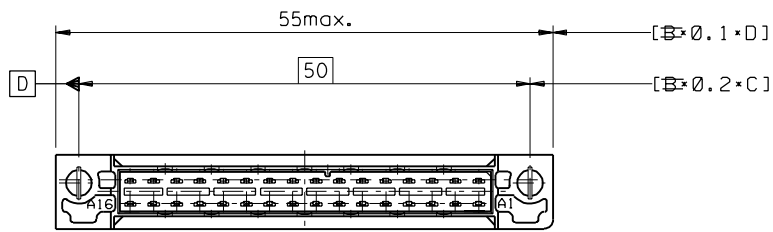
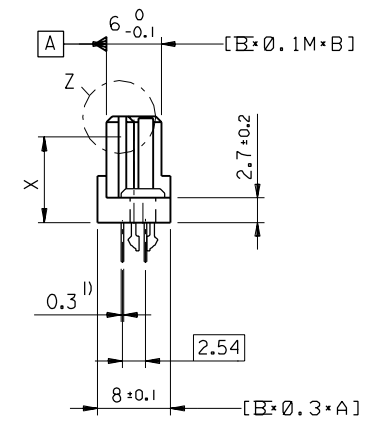


PART NO.  
DWG. NO.



1) tails to fit in PC-board layout



FIRST ANGLE PROJECTION		DRWG BY KN	SIGN
UNLESS OTHERWISE SPECIFIED TOLERANCES: ANGULAR ±2°		CHK'D BY Ca	SIGN
INCH METRIC		APP'D BY FB	SIGN
3 PLACE ± ±		SCALE 2:1	
2 PLACE ± ±			
1 PLACE ± ±			
DRAFT WHERE APPLICABLE MUST REMAIN WITHIN DIMENSIONS			
DESIGN DIMENSION <input checked="" type="checkbox"/> MM <input type="checkbox"/> IN.			
EQUIVALENT DIMENSION <input type="checkbox"/> MM <input type="checkbox"/> IN.			
IF TWO DIMENSIONS ARE SHOWN THE UPPER IS THE DESIGN DIMENSION, LOWER IS SECONDARY			

REVISE ONLY ON CAD SYSTEM		SH.	REV.
CAD/CAM PROJECT NAME 85040000 s21		THIS DRAWING CONTAINS INFORMATION THAT IS PROPRIETARY TO MOLEX INC. & SHOULD NOT BE USED WITHOUT WRITTEN PERMISSION	
TITLE 32pos. Female connector DIN 41612 style B/2, with clip, Dimensions			
MOLEX MOLEX EUROPE		SHEET NO. DATE 1 OF 1 96/04/23	
PART NO.		DWG. NO. SDA-85040-0002	
			SIZE B

ECN MG1998-2727 new fixing clip 98-04-14 Co	REVISIONS
C	LTR

VIEW ON MATING SIDE

∞	A	A	A	A	A	A	A	A	A
∞	A	A	A	A	A	A	A	A	A

1 2 3 4 5 6 7 8 9 10 11 12 13 14 15 16 17 18 19 20 21 22 23 24 25 26 27 28 29 30 31 32

A = 16 CONTACTS L=4,5

Marking	Standard
Performance level	G2/0 = Contact area level2 / Termination tin
Flux proof	no
Fixing clip	no
Dimensions	SDA-85040-0002 sht.1
Technical Data	PS-85042-0001

A	G2/0	a2,4,6...16	b2,4,6...16
Contact symbol	Perform. level	Contact position number	

ECN 2264	Produkt spec.	96-10-18 KN
REVISIONS	FOR PREVIOUS REVISIONS SEE MRI LIST	
LTR	A-1	

UNLESS OTHERWISE SPECIFIED TOLERANCES: ANGULAR ± 2°	DRWG BY	SIGN	SH. REV.
INCH	Ca		THIS DRAWING CONTAINS PROPRIETARY TO MOLEX INC. & SHOULD NOT BE USED WITHOUT WRITTEN PERMISSION
METRIC	CHK'D BY	SIGN	
3 PLACE ± .	KN		
2 PLACE ± .	APP'D BY	SIGN	
1 PLACE ± .			
DRAFT WHERE APPLICABLE MUST REMAIN WITHIN DIMENSIONS	SCALE		
DESIGN DIMENSION <input type="checkbox"/> MM <input type="checkbox"/> IN.			
EQUIVALENT DIMENSION <input type="checkbox"/> MM <input type="checkbox"/> IN.			
IF TWO DIMENSIONS ARE SHOWN, THE UPPER IS THE DESIGN DIMENSION, LOWER IS SECONDARY			
TITLE		SHEET NO.	DATE
32 pos. female connector acc. DIN 41612 style B/2 contacts arrangement		1 OF 1	96/05/15
CAD/CAM PROJECT NAME		DWG NO.	SIZE
s8504010		85040-1005	A
s01		SDA-85040-1005	
MOLEX			