

VIEW ON MATING SIDE

∞	A	A	A	A	A	A	A	A	A	A	A	A	A	A	A	A	A	A	A	A
∞	A	A	A	A	A	A	A	A	A	A	A	A	A	A	A	A	A	A	A	A
∞	1	2	3	4	5	6	7	8	9	10	11	12	13	14	15	16	17	18	19	20

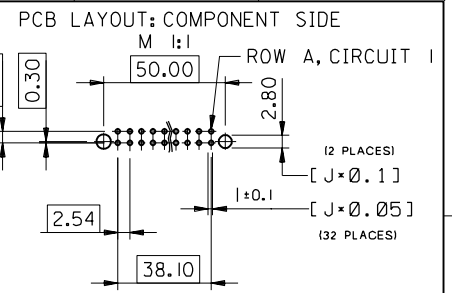
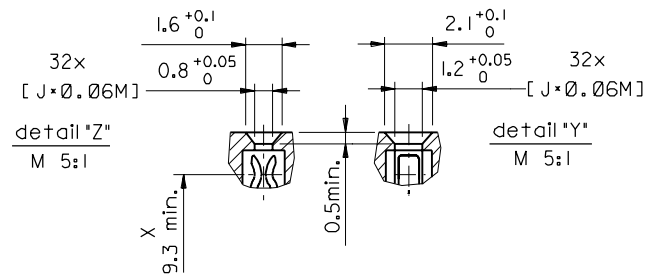
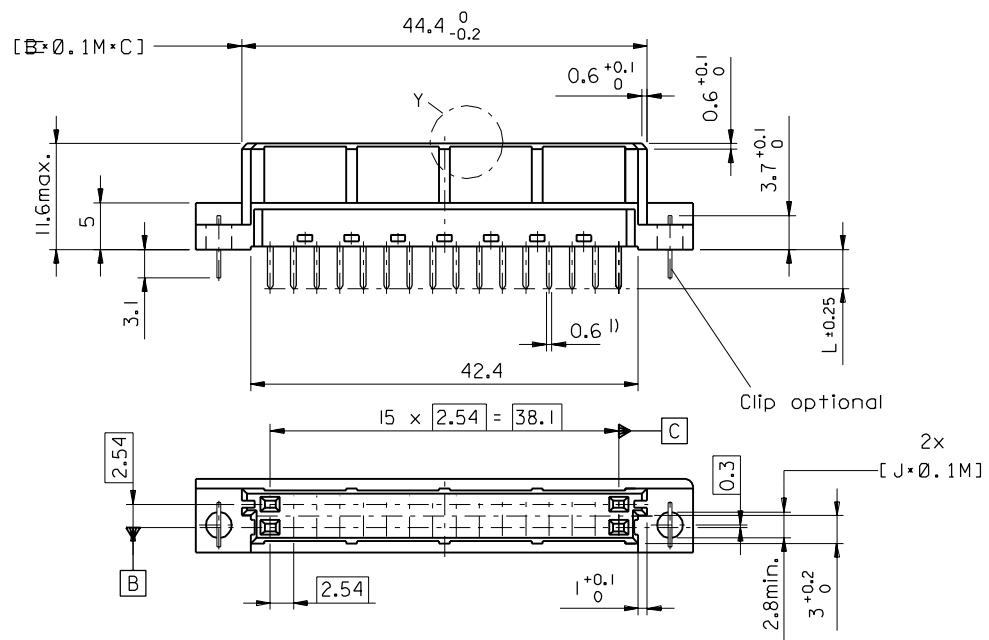
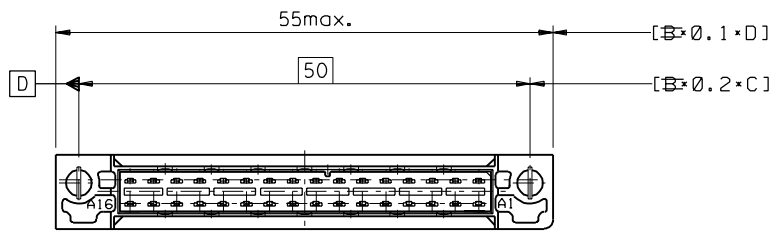
A = 32 CONTACTS L-2,9

Marking	Standard
Performance level	G3/0 = Contact area level3 / Termination tin
Flux proof	no
Fixing clip	no
Dimensions	SDA-85040-0002 sht.1
Technical Data	PS-85042-0001

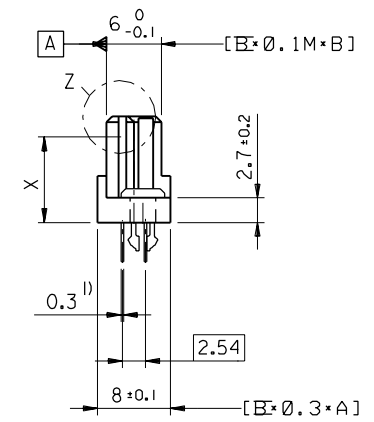
Contact symbol A G3/0 a1-l6 b1-l6 Perform. level Contact position number

ECN 2543 first release	REVISIONS		FOR PREVIOUS REVISIONS SEE MRI LIST	
	REVISIONS			
ECN 2543	DRWG BY	DRWG SIGN	REVISE ONLY ON CAD SYSTEM	
	KN	KN	CAD/CAM PROJECT NAME	SH. REV.
	CHK'D BY	CHK'D SIGN	s8504010	THIS DRAWING CONTAINS INFORMATION THAT IS PROPRIETARY TO MOLEX INC. & SHOULD NOT BE USED WITHOUT WRITTEN PERMISSION
	Ca	Ca	s71	
	APPD BY	APPD SIGN	TITLE	
	JB	JB	32 pos. female connector	
	SCALE		acc. DIN 41612 style B/2	
	DESIGN DIMENSION <input type="checkbox"/> MM <input type="checkbox"/> IN.		contacts arrangement	
	EQUIVALENT DIMENSION <input type="checkbox"/> MM <input type="checkbox"/> IN.		SHEET NO. DATE	
	IF TWO DIMENSIONS ARE SHOWN, THE UPPER IS THE DESIGN DIMENSION, LOWER IS SECONDARY		1 OF 1 97/07/22	
LTR			PART NO.	SIZE
			MOLEX EUROPE	A
			85040-1079	SD-85040-1079

PART NO.
DWG. NO.



1) tails to fit in PC-board layout



FIRST ANGLE PROJECTION		DRWG BY KN	SIGN
UNLESS OTHERWISE SPECIFIED TOLERANCES: ANGULAR ±2°		CHK'D BY Ca	SIGN
INCH METRIC		APP'D BY FB	SIGN
3 PLACE ± ±		SCALE 2:1	
2 PLACE ± ±			
1 PLACE ± ±			
DRAFT WHERE APPLICABLE MUST REMAIN WITHIN DIMENSIONS			
DESIGN DIMENSION <input checked="" type="checkbox"/> MM <input type="checkbox"/> IN.			
EQUIVALENT DIMENSION <input type="checkbox"/> MM <input type="checkbox"/> IN.			
IF TWO DIMENSIONS ARE SHOWN THE UPPER IS THE DESIGN DIMENSION, LOWER IS SECONDARY			

REVISE ONLY ON CAD SYSTEM		SH.	REV.
CAD/CAM PROJECT NAME 85040000 s21		THIS DRAWING CONTAINS INFORMATION THAT IS PROPRIETARY TO MOLEX INC. & SHOULD NOT BE USED WITHOUT WRITTEN PERMISSION	
TITLE 32pos. Female connector DIN 41612 style B/2, with clip, Dimensions			
MOLEX MOLEX EUROPE		SHEET NO. DATE 1 OF 1 96/04/23	
PART NO. SDA-85040-0002		DWG. NO. B	

ECN MG1998-2727 new fixing clip 98-04-14 Co	REVISIONS
C	LTR