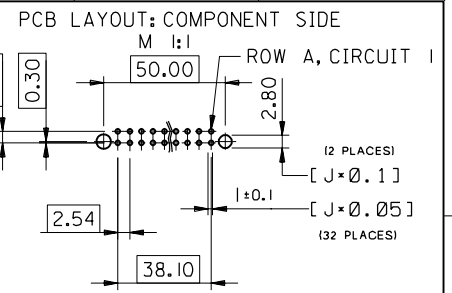
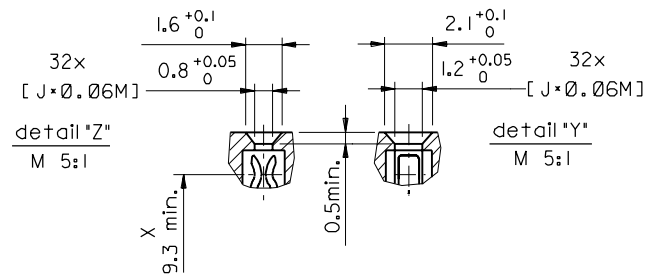
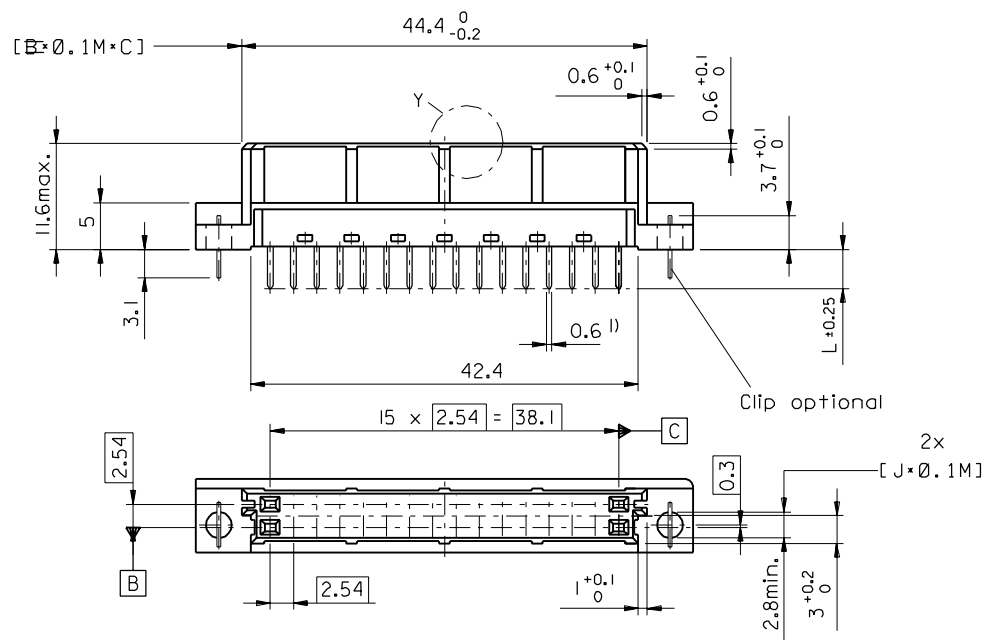
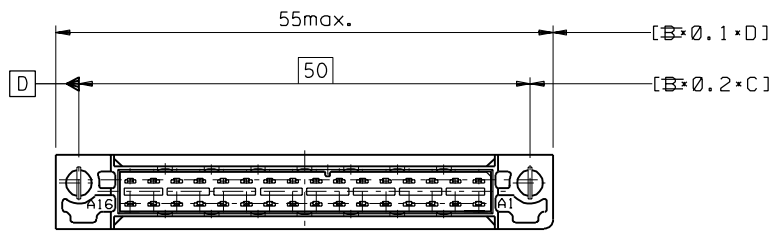
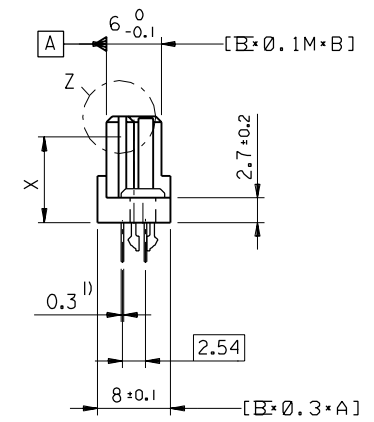


PART NO.
DWG. NO.



1) tails to fit in PC-board layout



FIRST ANGLE PROJECTION		DRWG BY KN	SIGN
UNLESS OTHERWISE SPECIFIED TOLERANCES: ANGULAR ± 2°		CHK'D BY Ca	SIGN
INCH METRIC		APP'D BY FB	SIGN
3 PLACE ± ±		SCALE 2:1	
2 PLACE ± ±			
1 PLACE ± ±			
DRAFT WHERE APPLICABLE MUST REMAIN WITHIN DIMENSIONS			
DESIGN DIMENSION <input checked="" type="checkbox"/> MM <input type="checkbox"/> IN.			
EQUIVALENT DIMENSION <input type="checkbox"/> MM <input type="checkbox"/> IN.			
IF TWO DIMENSIONS ARE SHOWN THE UPPER IS THE DESIGN DIMENSION, LOWER IS SECONDARY			

REVISE ONLY ON CAD SYSTEM		SH.	REV.
CAD/CAM PROJECT NAME 85040000 s21		THIS DRAWING CONTAINS INFORMATION THAT IS PROPRIETARY TO MOLEX INC. & SHOULD NOT BE USED WITHOUT WRITTEN PERMISSION	
TITLE 32pos. Female connector DIN 41612 style B/2, with clip, Dimensions			
MOLEX MOLEX EUROPE		SHEET NO. DATE 1 OF 1 96/04/23	
PART NO.		DWG NO.	
SDA-85040-0002		B	

ECN MG1998-2727 new fixing clip 98-04-14 Co	REVISIONS
C	LTR