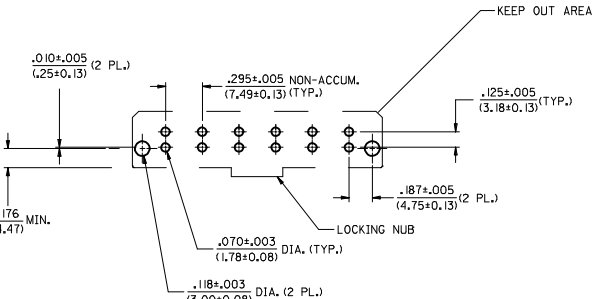


SEE SHEET 2 AND 3 FOR ITEM NUMBER CHART

RECOMMENDED P.C. BOARD LAYOUT FOR VERTICAL HEADERS

SCALE 2:1



6 CIRCUIT LAYOUT SHOWN

NOTES:

- INSULATOR MATERIAL (SEE CHART):  
A = 30% GLASS FILLED 46 NYLON, 94V-0, COLOR: BLACK.  
TERMINAL MATERIAL: BRASS
- TERMINAL FINISH: 60 MICRINCH (1.5 MICROMETER) MINIMUM TIN OVER 50 MICRINCH (1.25 MICROMETER) MINIMUM NICKEL.
- PRODUCT SPECIFICATION: PSX-44441-9999.
- PACKAGING: SEE CHART.
- THESE HEADERS MATE WITH 43179, 43335, OR 44441 RECEPTACLE HOUSINGS.
- SEE SHEETS 1, 2 AND 3, FOR VERTICAL HEADER ASSEMBLIES AND THEIR RESPECTIVE PART NUMBERS.
- SEE SHEETS 4, 5 AND 6, FOR RIGHT ANGLE HEADER ASSEMBLIES AND THEIR RESPECTIVE PART NUMBERS.
- DIMENSIONS ARE FOR REFERENCE ONLY, UNLESS INDICATED OTHERWISE.

SOLDER TAIL	DIM. "A" $\pm .020 / (0,51)$
SHORT	.150 / (3,81)
LONG	.210 / (5,33)

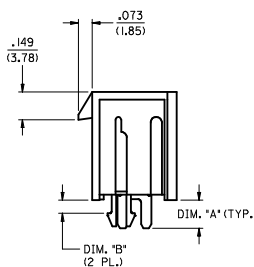
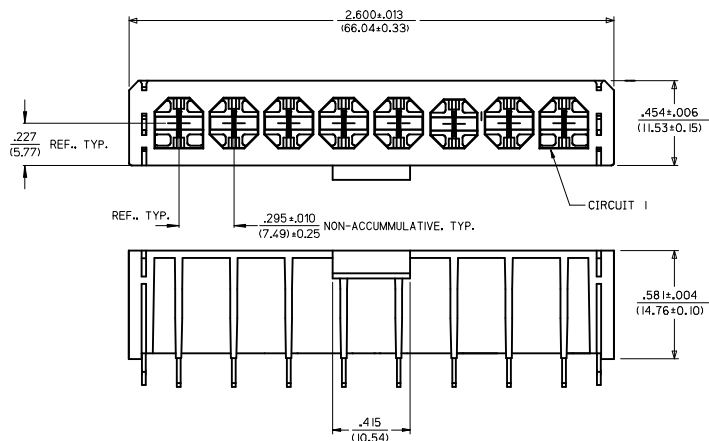
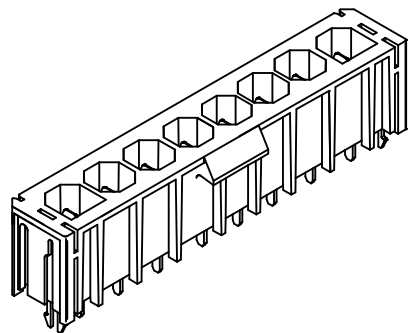
BOARD LOCK	DIM. "B" $\pm .004 / (0,15)$
.062	.070 / (1,78)
.094	.102 / (2,59)
.125	.133 / (3,38)

6	J
5	J
4	J
3	J
2	J
1	J
SHT. REV.	

ADD 43160-9003 EIC NO: UCP2016-3654 JY DRAWN: BANDURA 2016/03/18 CHKD: BANDURA 2016/03/18 APPR: FSN: MTH 2016/05/06 REV DESCRIPTION	QUALITY SYMBOLS ▽=0 ▽=0 ▽=0	GENERAL TOLERANCES (UNLESS SPECIFIED) <table border="1"> <thead> <tr> <th></th> <th>mm</th> <th>INCH</th> </tr> </thead> <tbody> <tr> <td>4 PLACES</td> <td>± .13</td> <td>± .005</td> </tr> <tr> <td>3 PLACES</td> <td>± .13</td> <td>± .01</td> </tr> <tr> <td>2 PLACES</td> <td>± 0.25</td> <td>± .01</td> </tr> <tr> <td>1 PLACE</td> <td>± 0.25</td> <td>± .01</td> </tr> <tr> <td>0 PLACE</td> <td>± .13</td> <td>± .01</td> </tr> </tbody> </table> ANGULAR $\pm 1/2^\circ$ DRAFT WHERE APPLICABLE MUST REMAIN WITHIN DIMENSIONS		mm	INCH	4 PLACES	± .13	± .005	3 PLACES	± .13	± .01	2 PLACES	± 0.25	± .01	1 PLACE	± 0.25	± .01	0 PLACE	± .13	± .01	DIMENSION STYLE IN/MM SCALE 3:1 DESIGN UNITS INCH THIRD ANGLE PROJECTION	DRAWN BY GC DATE 11/30/95 CHECKED BY KBP DATE 11/30/95 APPROVED BY FSMITH DATE 2015/06/25	TITLE SABRE HEADER, ASSY RA & VERT, 2-6 & 8 CIR. .125/(3,18) X .020/(0,51) <b>molex</b>	MATERIAL NO. SEE CHART DOCUMENT NO. SDA-43160-****	SHEET NO. 1 OF 6
		mm	INCH																						
	4 PLACES	± .13	± .005																						
	3 PLACES	± .13	± .01																						
2 PLACES	± 0.25	± .01																							
1 PLACE	± 0.25	± .01																							
0 PLACE	± .13	± .01																							
THIS DRAWING CONTAINS INFORMATION THAT IS PROPRIETARY TO MOLEX INCORPORATED AND SHOULD NOT BE USED WITHOUT WRITTEN PERMISSION																									
SIZE D																									
DRAWN BY DATE TITLE																									

VERTICAL HEADER ASSEMBLY ITEM NO.	PART CHARACTERISTICS FOR VERTICAL HEADER							PACKAGING SPECIFICATIONS	VERTICAL HEADER ASSEMBLY ITEM NO.	PART CHARACTERISTICS FOR VERTICAL HEADER					PACKAGING SPECIFICATIONS	VERTICAL HEADER ASSEMBLY ITEM NO.	PART CHARACTERISTICS FOR VERTICAL HEADER					PACKAGING SPECIFICATIONS
	CIRCUIT SIZE	HSG. MAT'L (SEE NOTE 1)	SOLDER TAIL	BOARD LOCK	VOID	FINGER PROOF LOCATION	CIRCUIT SIZE			HSG. MAT'L (SEE NOTE 1)	SOLDER TAIL	BOARD LOCK	CIRCUIT SIZE	HSG. MAT'L (SEE NOTE 1)			SOLDER TAIL	BOARD LOCK	CIRCUIT SIZE	HSG. MAT'L (SEE NOTE 1)	SOLDER TAIL	
43160-0102	2	A	SHORT	N/A	----	----	PK-43160-0010	43160-0104	4	A	SHORT	N/A	PK-43160-0010	43160-0106	6	A	SHORT	N/A	PK-43160-0010			
43160-0302	2	A	LONG	N/A	----	----	PK-43789-001	43160-0304	4	A	LONG	N/A	PK-43789-001	43160-0306	6	A	LONG	N/A	PK-43789-001			
43160-2102	2	A	SHORT	.062	----	----	PK-43789-001	43160-2104	4	A	SHORT	.062	PK-43789-001	43160-2106	6	A	SHORT	.062	PK-43789-001			
43160-4102	2	A	SHORT	.094	----	----	PK-43789-001	43160-4104	4	A	SHORT	.094	PK-43789-001	43160-4106	6	A	SHORT	.094	PK-43789-001			
43160-4302	2	A	LONG	.094	----	----	PK-43789-001	43160-4304	4	A	LONG	.094	PK-43789-001	43160-4306	6	A	LONG	.094	PK-43789-001			
43160-6302	2	A	LONG	.125	----	----	PK-43789-001	43160-6304	4	A	LONG	.125	PK-43789-001	43160-6306	6	A	LONG	.125	PK-43789-001			
43160-0103	3	A	SHORT	N/A	----	----	PK-43160-0010	43160-0105	5	A	SHORT	N/A	PK-43160-0010									
43160-0303	3	A	LONG	N/A	----	----	PK-43789-001	43160-0305	5	A	LONG	N/A	PK-43789-001									
43160-2103	3	A	SHORT	.062	----	----	PK-43789-001	43160-2105	5	A	SHORT	.062	PK-43789-001									
43160-4103	3	A	SHORT	.094	----	----	PK-43789-001	43160-4105	5	A	SHORT	.094	PK-43789-001									
43160-4303	3	A	LONG	.094	----	----	PK-43789-001	43160-4305	5	A	LONG	.094	PK-43789-001									
43160-6303	3	A	LONG	.125	----	----	PK-43789-001	43160-6305	5	A	LONG	.125	PK-43789-001									
43160-9002	3	3	SHORT	N/A	----	1, 2	PK-43160-0010															

<b>SEE SHEET 1</b> IEC NO: UCP2016-3654 DRAWN BY: CHYDABANDURA CHECKED BY: CHYDABANDURA APPR:FSMTH 2016/03/18 2016/03/18 2016/05/06	QUALITY SYMBOLS	GENERAL TOLERANCES (UNLESS SPECIFIED)	DIMENSION STYLE	SCALE	DESIGN UNITS	THIRD ANGLE PROJECTION
	▽=0	mm INCH	IN/MM	1:1	INCH	
	▽=0	4 PLACES ±.005	DRAWN BY DATE	GC 11/30/95	TITLE	SABRE HEADER, ASSY
	▽=0	3 PLACES ±.005	CHECKED BY DATE	KBP 11/30/95	RA & VERT, 2-6 & 8 CIR.	.125/(3.18)X .020/(0.51)
	ANGULAR ±1/2°	1 PLACE ±0.25	APPROVED BY DATE	FSMITH 2015/06/25		
	DRAFT WHERE APPLICABLE MUST REMAIN WITHIN DIMENSIONS	0 PLACE ±.005	MATERIAL NO.	SEE CHART	DOCUMENT NO.	SDA-43160-****
			SIZE	THIS DRAWING CONTAINS INFORMATION THAT IS PROPRIETARY TO MOLEX INCORPORATED AND SHOULD NOT BE USED WITHOUT WRITTEN PERMISSION		

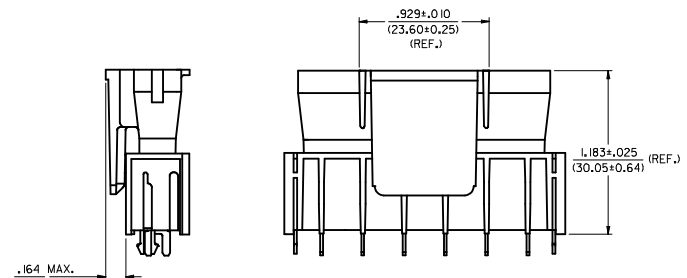


VERTICAL HEADER ASSEMBLY ITEM NO.	PART CHARACTERISTICS FOR VERTICAL HEADER				PACKAGING SPECIFICATIONS
	CIRCUIT SIZE	HSG. MAT'L (SEE NOTE 1)	SOLDER TAIL	BOARD LOCK	
43160-0108	8	A	SHORT	N/A	PK-43160-0010
43160-0308	8	A	LONG	N/A	PK-43789-001
43160-2108	8	A	SHORT	.062	PK-43789-001
43160-4108	8	A	SHORT	.094	PK-43789-001
43160-4308	8	A	LONG	.094	PK-43789-001
43160-6308	8	A	LONG	.125	PK-43789-001

BOARD LOCK		DIM. 'B' ±.004/(0,10)	
.062	.070/(1.78)		
.094	.102/(2.59)		
.125	.133/(3.38)		

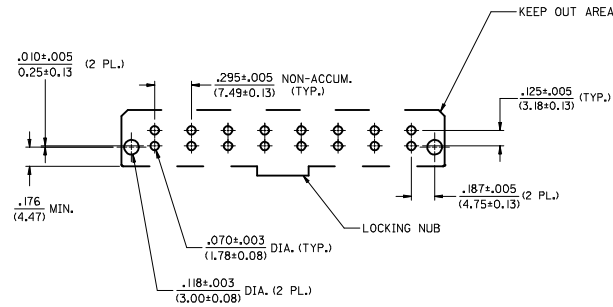
SOLDER TAIL		DIM. 'A' ±.020/(0,51)	
SHORT	.150/(3.81)		
LONG	.210/(5.33)		



MATED SABRE CONNECTOR  
NO SCALE

RECOMMENDED P.C. BOARD LAYOUT FOR VERTICAL HEADERS

SCALE 2:1

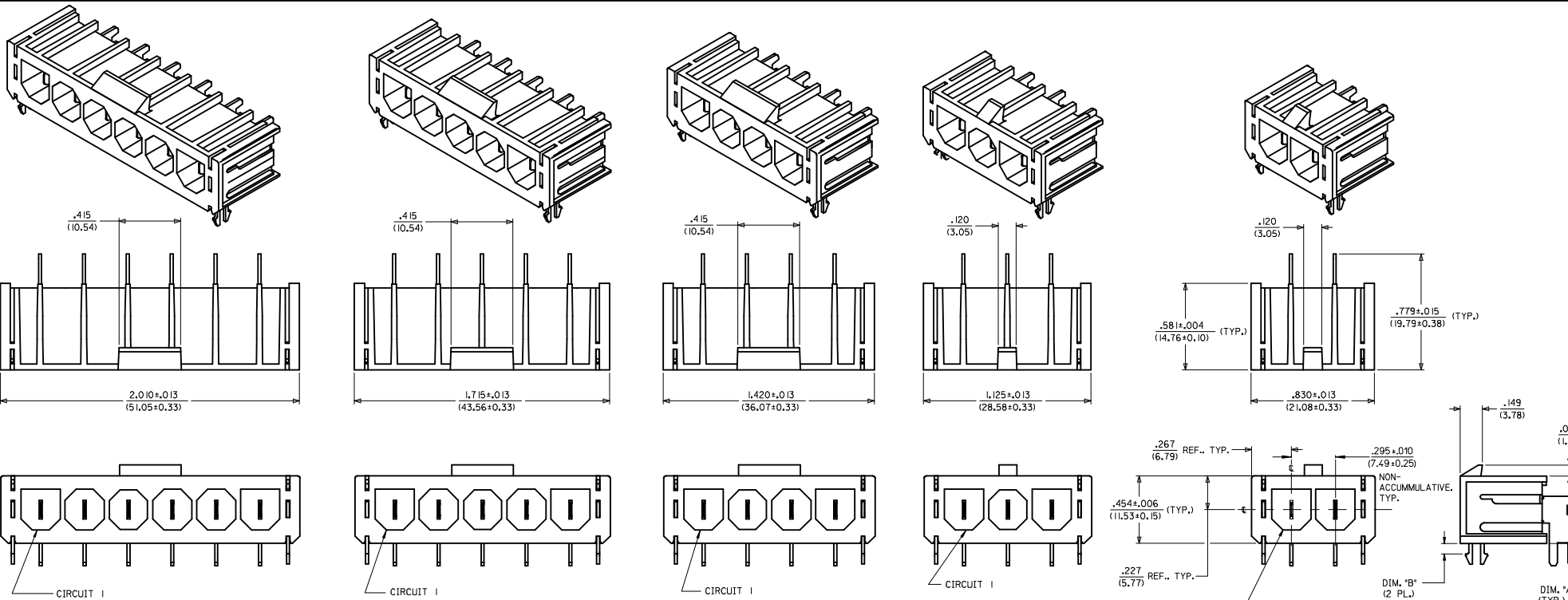


NOTES:

- INSULATOR MATERIAL (SEE CHART):  
A = 30% GLASS FILLED 46 NYLON, 94V-0, COLOR: BLACK.  
TERMINAL MATERIAL: BRASS
- TERMINAL FINISH: 60 MICROINCH (1.50 MICROMETER) MINIMUM TIN OVER.  
50 MICROINCH (1.25 MICROMETER) MINIMUM NICKEL.
- PRODUCT SPECIFICATION: PSX-44441-9999.
- PACKAGING: SEE CHART.
- THESE HEADERS MATE WITH 43179, 43335, OR 44441 RECEPTACLE HOUSING.
- SEE SHEETS 1, 2 AND 3, FOR VERTICAL HEADER ASSEMBLIES AND THEIR RESPECTIVE PART NUMBERS.
- SEE SHEETS 4, 5 AND 6, FOR RIGHT ANGLE HEADER ASSEMBLIES AND THEIR RESPECTIVE PART NUMBERS.
- DIMENSIONS ARE FOR REFERENCE ONLY, UNLESS INDICATED OTHERWISE.

8 CIRCUIT LAYOUT SHOWN

<b>SEE SHEET 1</b> IEC NO: UCP2016-3654 DRAWN BY: CHYKOBANDURA DATE: 2016/03/18 APPR:FSM/TH DATE: 2016/05/06	QUALITY SYMBOLS	GENERAL TOLERANCES (UNLESS SPECIFIED)	DIMENSION STYLE	SCALE	DESIGN UNITS	THIRD ANGLE PROJECTION
	▽=0	4 PLACES ± --- ± ---	IN/MM	3:1	INCH	☉
	▽=0	3 PLACES ± --- ± .005				
	▽=0	2 PLACES ± 0.13 ± .01				
		1 PLACE ± 0.25 ± ---	DRAWN BY	DATE	TITLE	
		0 PLACE ± --- ± ---	GC	11/30/95	SABRE HEADER, ASSY	
		ANGULAR ±1/2°	CHECKED BY	DATE	RA & VERT, 2-6 & 8 CIR.	
		DRAFT WHERE APPLICABLE	KBP	11/30/95	.125/(3.18) X .020/(0.51)	
		MUST REMAIN WITHIN DIMENSIONS	APPROVED BY	DATE	molex	
			FSMITH	2015/06/25	DOCUMENT NO.	
			MATERIAL NO.	SEE CHART	SDA-43160-****	
			SIZE	D	SHEET NO.	
					3 OF 6	
					THIS DRAWING CONTAINS INFORMATION THAT IS PROPRIETARY TO MOLEX INCORPORATED AND SHOULD NOT BE USED WITHOUT WRITTEN PERMISSION	

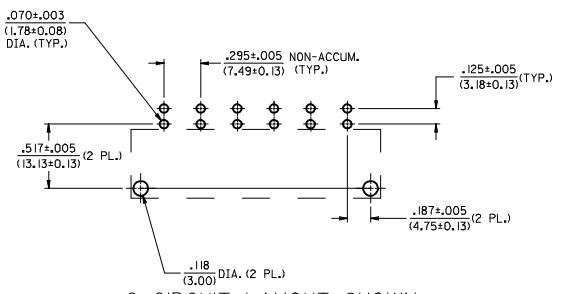


SEE SHEET 5 AND 6 FOR ITEM NUMBER CHART

SOLDER TAIL	DIM. "A" ±.01/(0.28)	BOARD LOCK	DIM. "B" ±.004/(0.10)
SHORT	.150/(3.81)	.062	.070/(1.78)
LONG	.210/(5.33)	.094	.102/(2.59)
		.125	.133/(3.38)

**RECOMMENDED P.C. BOARD LAYOUT FOR RIGHT ANGLE HEADERS**

SCALE 2:1



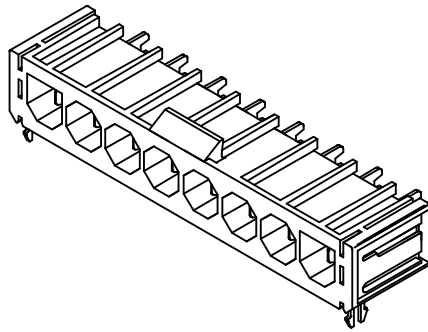
6 CIRCUIT LAYOUT SHOWN

- NOTES:**
- INSULATOR MATERIAL (SEE CHART):  
A = 30% GLASS-FILLED 46 NYLON, 94V-0, COLOR: BLACK  
TERMINAL MATERIAL: BRASS
  - TERMINAL FINISH: 60 MICRON (1.50 MICROMETER) MINIMUM TIN OVER 50 MICRON (1.25 MICROMETER) MINIMUM NICKEL.
  - PRODUCT SPECIFICATION: PSX-44441-9999.
  - PACKAGING: SEE CHART.
  - THESE HEADERS MATE WITH 43179, 43335, OR 44441 RECEPTACLE HOUSINGS.
  - SEE SHEETS 1, 2 AND 3 FOR VERTICAL HEADER ASSEMBLIES AND THEIR RESPECTIVE PART NUMBERS.
  - SEE SHEETS 4, 5 AND 6 FOR RIGHT ANGLE HEADER ASSEMBLIES AND THEIR RESPECTIVE PART NUMBERS.
  - DIMENSIONS ARE FOR REFERENCE ONLY UNLESS INDICATED OTHERWISE.

<b>SEE SHEET 1</b> IEC NO: UCF2016-3654 DRAWN BY: CHYKBANDURA DATE: 2016/03/18 APPR: FSMITH DATE: 2016/05/06	QUALITY SYMBOLS ▽=0 ▽=0 ▽=0	GENERAL TOLERANCES (UNLESS SPECIFIED) mm INCH 4 PLACES ±.005 ±.005 3 PLACES ±.01 ±.01 2 PLACES ±.013 ±.01 1 PLACE ±.025 ±.01 0 PLACE ±.005 ±.005 ANGULAR ±1/2° DRAFT WHERE APPLICABLE MUST REMAIN WITHIN DIMENSIONS	DIMENSION STYLE IN/MM DRAWN BY: GC DATE: 11/30/15 CHECKED BY: KBP DATE: 11/30/15 APPROVED BY: FSMITH DATE: 2015/06/25	SCALE 3:1 DESIGN UNITS INCH THIRD ANGLE PROJECTION	TITLE SABRE HEADER, ASSY RA & VERT, 2-6 & 8 CIR. .125/(3.18) X .020/(0.51)	MATERIAL NO. SEE CHART DOCUMENT NO. SDA-43160-****	SHEET NO. 4 OF 6
	THIS DRAWING CONTAINS INFORMATION THAT IS PROPRIETARY TO MOLEX INCORPORATED AND SHOULD NOT BE USED WITHOUT WRITTEN PERMISSION						
	MOLEX						
	SDA-43160-****						

	20	19	18	17	16	15	14	13	12	11	10	9	8	7	6	5	4	3	2	1		
	RT. ANGLE HEADER ASSEMBLY ITEM NO.	PART CHARACTERISTICS FOR RIGHT ANGLE HEADER				PACKAGING SPECIFICATIONS		RT. ANGLE HEADER ASSEMBLY ITEM NO.	PART CHARACTERISTICS FOR RIGHT ANGLE HEADER				PACKAGING SPECIFICATIONS	VOID CIRCUIT NUMBER(S)		RT. ANGLE HEADER ASSEMBLY ITEM NO.	PART CHARACTERISTICS FOR RIGHT ANGLE HEADER				PACKAGING SPECIFICATIONS	
		CIRCUIT SIZE	HSG. MAT'L (SEE NOTE 1)	SOLDER TAIL	BOARD LOCK			CIRCUIT SIZE	HSG. MAT'L (SEE NOTE 1)	SOLDER TAIL	BOARD LOCK				CIRCUIT SIZE	HSG. MAT'L (SEE NOTE 1)	SOLDER TAIL	BOARD LOCK				
M	43160-1102	2	A	SHORT	N/A	PK-43160-0010		43160-1104	4	A	SHORT	N/A	PK-43160-0010	-	43160-1106	6	A	SHORT	N/A	PK-43160-0010		
	43160-1302	2	A	LONG	N/A	PK-43789-001		43160-1304	4	A	LONG	N/A	PK-43789-001	-	43160-1306	6	A	LONG	N/A	PK-43789-001		
	43160-3102	2	A	SHORT	.062	PK-43789-001		43160-3104	4	A	SHORT	.062	PK-43789-001	-	43160-3106	6	A	SHORT	.062	PK-43789-001		
L	43160-5102	2	A	SHORT	.094	PK-43789-001		43160-5104	4	A	SHORT	.094	PK-43789-001	-	43160-5106	6	A	SHORT	.094	PK-43789-001		
	43160-5302	2	A	LONG	.094	PK-43789-001		43160-5304	4	A	LONG	.094	PK-43789-001	-	43160-5306	6	A	LONG	.094	PK-43789-001		
	43160-7302	2	A	LONG	.125	PK-43789-001		43160-7304	4	A	LONG	.125	PK-43789-001	-	43160-7306	6	A	LONG	.125	PK-43789-001		
	43160-1103	3	A	SHORT	N/A	PK-43160-0010		43160-1105	5	A	SHORT	N/A	PK-43160-0010	-								
K	43160-1303	3	A	LONG	N/A	PK-43789-001		43160-1305	5	A	LONG	N/A	PK-43789-001	-								
	43160-3103	3	A	SHORT	.062	PK-43789-001		43160-3105	5	A	SHORT	.062	PK-43789-001	-								
	43160-5103	3	A	SHORT	.094	PK-43789-001		43160-5105	5	A	SHORT	.094	PK-43789-001	-								
	43160-5303	3	A	LONG	.094	PK-43789-001		43160-5305	5	A	LONG	.094	PK-43789-001	-								
J	43160-7303	3	A	LONG	.125	PK-43789-001		43160-7305	5	A	LONG	.125	PK-43789-001	-								
								43160-9001	4	A	SHORT	.062	PK-43789-001	2								
								43160-9003	5	A	SHORT	.062	PK-43879-001	2, 4								

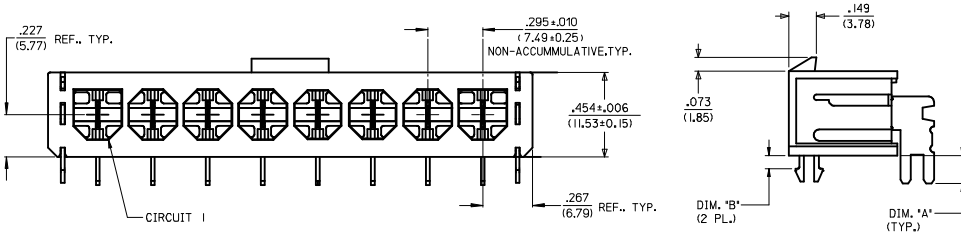
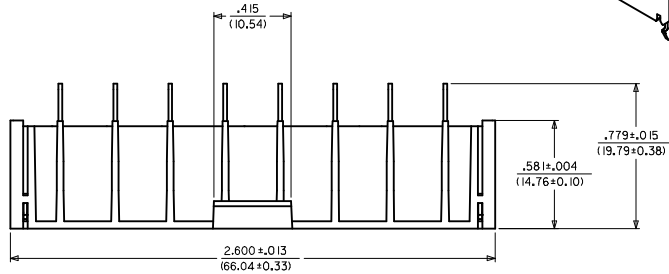
<b>SEE SHEET 1</b> IEC NO: UCP2016-3654 DRAWN BY: JUP CHYKOBANDURA 2016/03/18 APPR:FSM TH 2016/05/06	QUALITY SYMBOLS	GENERAL TOLERANCES (UNLESS SPECIFIED)	DIMENSION STYLE	SCALE	DESIGN UNITS	THIRD ANGLE PROJECTION
	▽=0	mm INCH	IN/MM	1:1	INCH	
	▽=0	4 PLACES ±.005	DRAWN BY DATE	GC 11/30/195	TITLE	SABRE HEADER, ASSY
	▽=0	3 PLACES ±.01	CHECKED BY DATE	KBP 11/30/195	RA & VERT, 2-6 & 8 CIR.	.125/(3.18)X .020/(0.51)
	ANGULAR ±1/2°	1 PLACE ±0.25	APPROVED BY DATE	FSMITH 2015/06/125	MATERIAL NO.	DOCUMENT NO.
	DRAFT WHERE APPLICABLE MUST REMAIN WITHIN DIMENSIONS	0 PLACE ±.005	SEE CHART	SDA-43160-****	SHEET NO.	5 OF 6
			THIS DRAWING CONTAINS INFORMATION THAT IS PROPRIETARY TO MOLEX INCORPORATED AND SHOULD NOT BE USED WITHOUT WRITTEN PERMISSION			



BOARD LOCK	DIM. "B" ±.004/(0.10)
.062	.070/(1.78)
.094	.102/(2.59)
.125	.133/(3.38)

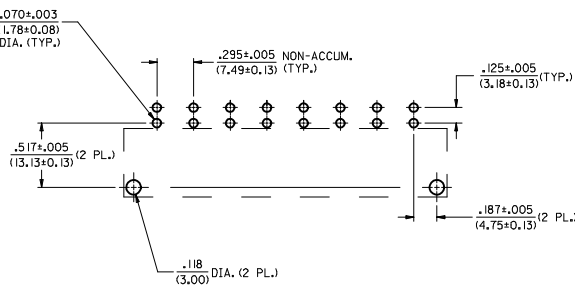
SOLDER TAIL	DIM. "A" ±.011/(0.28)
SHORT	.150/(3.81)
LONG	.210/(5.33)

RT. ANGLE HEADER ASSEMBLY ITEM NO.	PART CHARACTERISTICS FOR RIGHT ANGLE HEADER				PACKAGING SPECIFICATIONS
	CIRCUIT SIZE	HSG. MAT'L (SEE NOTE 1)	SOLDER TAIL	BOARD LOCK	
43160-1108	8	A	SHORT	N/A	PK-43160-0010
43160-1308	8	A	LONG	N/A	PK-43789-001
43160-3108	8	A	SHORT	.062	PK-43789-001
43160-5108	8	A	SHORT	.094	PK-43789-001
43160-5308	8	A	LONG	.094	PK-43789-001
43160-7308	8	A	LONG	.125	PK-43789-001



**RECOMMENDED P.C. BOARD LAYOUT FOR RIGHT ANGLE HEADERS**

SCALE 2:1



8 CIRCUIT LAYOUT SHOWN

**NOTES:**

- INSULATOR MATERIAL (SEE CHART):  
A = 30% GLASS FILLED 46 NYLON, 94V-0, COLOR: BLACK.
- TERMINAL MATERIAL: BRASS
- TERMINAL FINISH: 60 MICRONCH (1.50 MICROMETER) MINIMUM TIN OVER 50 MICRONCH (1.25 MICROMETER) MINIMUM NICKEL.
- PRODUCT SPECIFICATION: PSX-44441-9999.
- PACKAGING: SEE CHART.
- THESE HEADERS MATE WITH 43179, 43335, OR 44441 RECEPTACLE HOUSINGS.
- SEE SHEETS 1, 2 AND 3, FOR VERTICAL HEADER ASSEMBLIES AND THEIR RESPECTIVE PART NUMBERS.
- SEE SHEETS 4, 5 AND 6, FOR RIGHT ANGLE HEADER ASSEMBLIES AND THEIR RESPECTIVE PART NUMBERS.
- DIMENSIONS ARE FOR REFERENCE ONLY, UNLESS INDICATED OTHERWISE.

<b>SEE SHEET 1</b> IEC NO. UCF2016-3654 DRAWN BY: JUDY CHYDABANDURA DATE: 2016/03/18 APPR: FSM TH 2016/05/06	<b>QUALITY SYMBOLS</b> ▽=0 ▽=0 ▽=0	<b>GENERAL TOLERANCES (UNLESS SPECIFIED)</b> mm      INCH 4 PLACES ±.005 ±.005 3 PLACES ±.01 ±.01 2 PLACES ±.013 ±.01 1 PLACE ±.025 ±.025 0 PLACE ±.05 ±.05		<b>DIMENSION STYLE</b> IN/MM DRAWN BY: GC DATE: 11/30/95 CHECKED BY: KBP DATE: 11/30/95 APPROVED BY: FSM TH DATE: 2015/06/25		SCALE: 3:1 DESIGN UNITS: INCH THIRD ANGLE PROJECTION	TITLE: <b>SABRE HEADER, ASSY</b> <b>RA &amp; VERT, 2-6 &amp; 8 CIR.</b> <b>.125/(3.18)X .020/(0.51)</b> <b>molex</b>	MATERIAL NO.: SEE CHART DOCUMENT NO.: SDA-43160-****	SHEET NO.: 6 OF 6
		DRAFT WHERE APPLICABLE MUST REMAIN WITHIN DIMENSIONS		ANGLULAR ±1/2°		THIS DRAWING CONTAINS INFORMATION THAT IS PROPRIETARY TO MOLEX INCORPORATED AND SHOULD NOT BE USED WITHOUT WRITTEN PERMISSION			