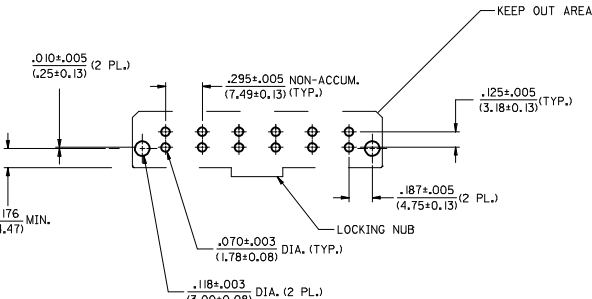


SEE SHEET 2 AND 3 FOR ITEM NUMBER CHART

RECOMMENDED P.C. BOARD LAYOUT FOR VERTICAL HEADERS

SCALE 2:1



6 CIRCUIT LAYOUT SHOWN

NOTES:

- INSULATOR MATERIAL (SEE CHART):  
A = 30% GLASS FILLED 46 NYLON, 94V-0, COLOR: BLACK.  
TERMINAL MATERIAL: BRASS
- TERMINAL FINISH: 60 MICRINCH (1.5 MICROMETER) MINIMUM TIN OVER 50 MICRINCH (1.25 MICROMETER) MINIMUM NICKEL.
- PRODUCT SPECIFICATION: PSX-44441-9999.
- PACKAGING: SEE CHART.
- THESE HEADERS MATE WITH 43179, 43335, OR 44441 RECEPTACLE HOUSINGS.
- SEE SHEETS 1, 2 AND 3, FOR VERTICAL HEADER ASSEMBLIES AND THEIR RESPECTIVE PART NUMBERS.
- SEE SHEETS 4, 5 AND 6, FOR RIGHT ANGLE HEADER ASSEMBLIES AND THEIR RESPECTIVE PART NUMBERS.
- DIMENSIONS ARE FOR REFERENCE ONLY, UNLESS INDICATED OTHERWISE.

| SOLDER TAIL | DIM. "A" ±.020/(0,51) |
|-------------|-----------------------|
| SHORT       | .150/(3,81)           |
| LONG        | .210/(5,33)           |

| BOARD LOCK | DIM. "B" ±.004/(0,15) |
|------------|-----------------------|
| .062       | .070/(1,78)           |
| .094       | .102/(2,59)           |
| .125       | .133/(3,38)           |

|      |      |
|------|------|
| 6    | J    |
| 5    | J    |
| 4    | J    |
| 3    | J    |
| 2    | J    |
| 1    | J    |
| SHT. | REV. |

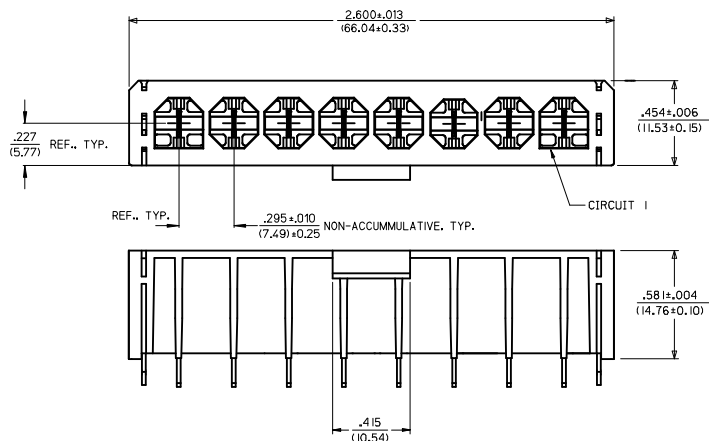
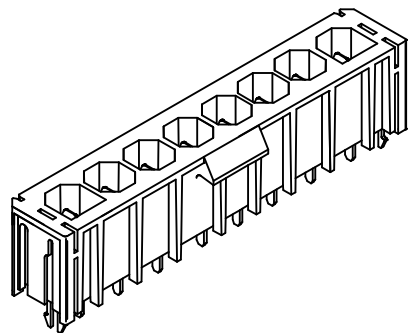
| ADD 43160-9003<br>EIC NO: UCF2016-3654<br>JY<br>DRW:BNANDURA 2016/03/18<br>CHK:BNANDURA 2016/03/18<br>APPR:FSM TH 2016/05/06<br>REV DESCRIPTION | QUALITY SYMBOLS<br>▽=0<br>▽=0<br>▽=0 | GENERAL TOLERANCES (UNLESS SPECIFIED)<br><table border="1"> <thead> <tr> <th></th> <th>mm</th> <th>INCH</th> </tr> </thead> <tbody> <tr> <td>4 PLACES</td> <td>±.005</td> <td>±.005</td> </tr> <tr> <td>3 PLACES</td> <td>±.01</td> <td>±.01</td> </tr> <tr> <td>2 PLACES</td> <td>±0.13</td> <td>±.01</td> </tr> <tr> <td>1 PLACE</td> <td>±0.25</td> <td>±.01</td> </tr> <tr> <td>0 PLACE</td> <td>±---</td> <td>±---</td> </tr> </tbody> </table> ANGULAR ±1/2°<br>DRAFT WHERE APPLICABLE MUST REMAIN WITHIN DIMENSIONS |       | mm                  | INCH | 4 PLACES | ±.005 | ±.005 | 3 PLACES | ±.01 | ±.01 | 2 PLACES | ±0.13 | ±.01 | 1 PLACE | ±0.25 | ±.01 | 0 PLACE | ±--- | ±--- | DIMENSION STYLE<br>IN/MM<br>SCALE<br>3:1<br>DESIGN UNITS<br>INCH<br>THIRD ANGLE PROJECTION | DRAWN BY DATE<br>GC 11/30/95<br>CHECKED BY DATE<br>KBP 11/30/95<br>APPROVED BY DATE<br>FSMITH 2015/06/25 | TITLE<br>SABRE HEADER, ASSY<br>RA & VERT, 2-6 & 8 CIR.<br>.125/(3,18)X .020/(0,51) |
|---|--------------------------------------|--|-------|---------------------|------|----------|-------|-------|----------|------|------|----------|-------|------|---------|-------|------|---------|------|------|--|--|--|
|   |                                      | mm   | INCH  |                     |      |          |       |       |          |      |      |          |       |      |         |       |      |         |      |      |  |  |  |
|   | 4 PLACES                             | ±.005  | ±.005 |                     |      |          |       |       |          |      |      |          |       |      |         |       |      |         |      |      |  |  |  |
|   | 3 PLACES                             | ±.01   | ±.01  |                     |      |          |       |       |          |      |      |          |       |      |         |       |      |         |      |      |  |  |  |
| 2 PLACES  | ±0.13                                | ±.01   |       |                     |      |          |       |       |          |      |      |          |       |      |         |       |      |         |      |      |  |  |  |
| 1 PLACE   | ±0.25                                | ±.01   |       |                     |      |          |       |       |          |      |      |          |       |      |         |       |      |         |      |      |  |  |  |
| 0 PLACE   | ±---                                 | ±---   |       |                     |      |          |       |       |          |      |      |          |       |      |         |       |      |         |      |      |  |  |  |
| MATERIAL NO.<br>SEE CHART   |                                      | DOCUMENT NO.<br>SDA-43160-****   |       | SHEET NO.<br>1 OF 6 |      |          |       |       |          |      |      |          |       |      |         |       |      |         |      |      |  |  |  |
| THIS DRAWING CONTAINS INFORMATION THAT IS PROPRIETARY TO MOLEX INCORPORATED AND SHOULD NOT BE USED WITHOUT WRITTEN PERMISSION                   |                                      |  |       |                     |      |          |       |       |          |      |      |          |       |      |         |       |      |         |      |      |  |  |  |
| SIZE D  |                                      |  |       |                     |      |          |       |       |          |      |      |          |       |      |         |       |      |         |      |      |  |  |  |

| VERTICAL HEADER ASSEMBLY ITEM NO. | PART CHARACTERISTICS FOR VERTICAL HEADER |                         |             |            |      |                       | PACKAGING SPECIFICATIONS |
|-----------------------------------|--|-------------------------|-------------|------------|------|-----------------------|--------------------------|
|                                   | CIRCUIT SIZE                             | HSG. MAT'L (SEE NOTE 1) | SOLDER TAIL | BOARD LOCK | VOID | FINGER PROOF LOCATION |                          |
| 43160-0102                        | 2  | A                       | SHORT       | N/A        | ---- | ----                  | PK-43160-0010            |
| 43160-0302                        | 2  | A                       | LONG        | N/A        | ---- | ----                  | PK-43789-001             |
| 43160-2102                        | 2  | A                       | SHORT       | .062       | ---- | ----                  | PK-43789-001             |
| 43160-4102                        | 2  | A                       | SHORT       | .094       | ---- | ----                  | PK-43789-001             |
| 43160-4302                        | 2  | A                       | LONG        | .094       | ---- | ----                  | PK-43789-001             |
| 43160-6302                        | 2  | A                       | LONG        | .125       | ---- | ----                  | PK-43789-001             |
| 43160-0103                        | 3  | A                       | SHORT       | N/A        | ---- | ----                  | PK-43160-0010            |
| 43160-0303                        | 3  | A                       | LONG        | N/A        | ---- | ----                  | PK-43789-001             |
| 43160-2103                        | 3  | A                       | SHORT       | .062       | ---- | ----                  | PK-43789-001             |
| 43160-4103                        | 3  | A                       | SHORT       | .094       | ---- | ----                  | PK-43789-001             |
| 43160-4303                        | 3  | A                       | LONG        | .094       | ---- | ----                  | PK-43789-001             |
| 43160-6303                        | 3  | A                       | LONG        | .125       | ---- | ----                  | PK-43789-001             |
| 43160-9002                        | 3  | 3                       | SHORT       | N/A        | ---- | 1, 2                  | PK-43160-0010            |

| VERTICAL HEADER ASSEMBLY ITEM NO. | PART CHARACTERISTICS FOR VERTICAL HEADER |                         |             |            | PACKAGING SPECIFICATIONS |
|-----------------------------------|--|-------------------------|-------------|------------|--------------------------|
|                                   | CIRCUIT SIZE                             | HSG. MAT'L (SEE NOTE 1) | SOLDER TAIL | BOARD LOCK |                          |
| 43160-0104                        | 4  | A                       | SHORT       | N/A        | PK-43160-0010            |
| 43160-0304                        | 4  | A                       | LONG        | N/A        | PK-43789-001             |
| 43160-2104                        | 4  | A                       | SHORT       | .062       | PK-43789-001             |
| 43160-4104                        | 4  | A                       | SHORT       | .094       | PK-43789-001             |
| 43160-4304                        | 4  | A                       | LONG        | .094       | PK-43789-001             |
| 43160-6304                        | 4  | A                       | LONG        | .125       | PK-43789-001             |
| 43160-0105                        | 5  | A                       | SHORT       | N/A        | PK-43160-0010            |
| 43160-0305                        | 5  | A                       | LONG        | N/A        | PK-43789-001             |
| 43160-2105                        | 5  | A                       | SHORT       | .062       | PK-43789-001             |
| 43160-4105                        | 5  | A                       | SHORT       | .094       | PK-43789-001             |
| 43160-4305                        | 5  | A                       | LONG        | .094       | PK-43789-001             |
| 43160-6305                        | 5  | A                       | LONG        | .125       | PK-43789-001             |

| VERTICAL HEADER ASSEMBLY ITEM NO. | PART CHARACTERISTICS FOR VERTICAL HEADER |                         |             |            | PACKAGING SPECIFICATIONS |
|-----------------------------------|--|-------------------------|-------------|------------|--------------------------|
|                                   | CIRCUIT SIZE                             | HSG. MAT'L (SEE NOTE 1) | SOLDER TAIL | BOARD LOCK |                          |
| 43160-0106                        | 6  | A                       | SHORT       | N/A        | PK-43160-0010            |
| 43160-0306                        | 6  | A                       | LONG        | N/A        | PK-43789-001             |
| 43160-2106                        | 6  | A                       | SHORT       | .062       | PK-43789-001             |
| 43160-4106                        | 6  | A                       | SHORT       | .094       | PK-43789-001             |
| 43160-4306                        | 6  | A                       | LONG        | .094       | PK-43789-001             |
| 43160-6306                        | 6  | A                       | LONG        | .125       | PK-43789-001             |

|  |                 |  |                 |       |              |   |
|--|-----------------|--|-----------------|-------|--------------|---|
| <b>SEE SHEET 1</b><br>IEC NO: UCF2016-3654<br>DRAWN BY: CHYDABANDURA<br>CHECKED BY: APPR:FSMTH<br>DATE: 2016/03/18<br>DATE: 2016/05/06 | QUALITY SYMBOLS | GENERAL TOLERANCES (UNLESS SPECIFIED)                | DIMENSION STYLE | SCALE | DESIGN UNITS | THIRD ANGLE PROJECTION  |
|  | ▽=0             | 4 PLACES ±.005                                       | IN/MM           | 1:1   | INCH         | TITLE: SABRE HEADER, ASSY<br>RA & VERT, 2-6 & 8 CIR.<br>.125/(3.18)X .020/(0.51)<br><b>molex</b><br>MATERIAL NO. SEE CHART<br>DOCUMENT NO. SDA-43160-****<br>SHEET NO. 2 OF 6 |
|  | ▽=0             | 3 PLACES ±.01  | mm              |       |              |   |
|  | ▽=0             | 2 PLACES ±0.13                                       |                 |       |              |   |
| ▽=0  | 1 PLACE ±0.25   |  |                 |       |              |   |
|  |                 | 0 PLACE ±.---  |                 |       |              |   |
|  |                 | ANGULAR ±1/2°  |                 |       |              |   |
|  |                 | DRAFT WHERE APPLICABLE MUST REMAIN WITHIN DIMENSIONS |                 |       |              |   |



| VERTICAL HEADER ASSEMBLY ITEM NO. | PART CHARACTERISTICS FOR VERTICAL HEADER |                         |             |            | PACKAGING SPECIFICATIONS |
|-----------------------------------|--|-------------------------|-------------|------------|--------------------------|
|                                   | CIRCUIT SIZE                             | HSG. MAT'L (SEE NOTE 1) | SOLDER TAIL | BOARD LOCK |                          |
| 43160-0108                        | 8  | A                       | SHORT       | N/A        | PK-43160-0010            |
| 43160-0308                        | 8  | A                       | LONG        | N/A        | PK-43789-001             |
| 43160-2108                        | 8  | A                       | SHORT       | .062       | PK-43789-001             |
| 43160-4108                        | 8  | A                       | SHORT       | .094       | PK-43789-001             |
| 43160-4308                        | 8  | A                       | LONG        | .094       | PK-43789-001             |
| 43160-6308                        | 8  | A                       | LONG        | .125       | PK-43789-001             |

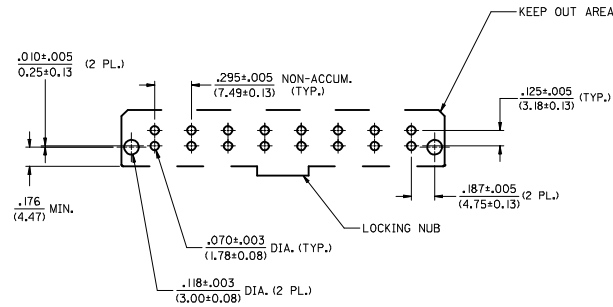
| BOARD LOCK |  | DIM. "B" ±.004/(0,10) |        |
|------------|--|-----------------------|--------|
| .062       |  | .070                  | (1.78) |
| .094       |  | .102                  | (2.59) |
| .125       |  | .133                  | (3.38) |

| SOLDER TAIL |  | DIM. "A" ±.020/(0,51) |        |
|-------------|--|-----------------------|--------|
| SHORT       |  | .150                  | (3.81) |
| LONG        |  | .210                  | (5.33) |

**RECOMMENDED P.C. BOARD LAYOUT FOR VERTICAL HEADERS**

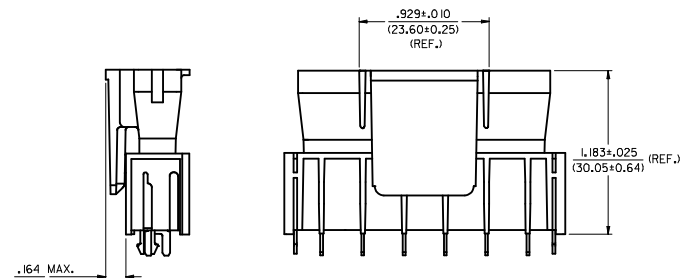
SCALE 2:1



8 CIRCUIT LAYOUT SHOWN

**NOTES:**

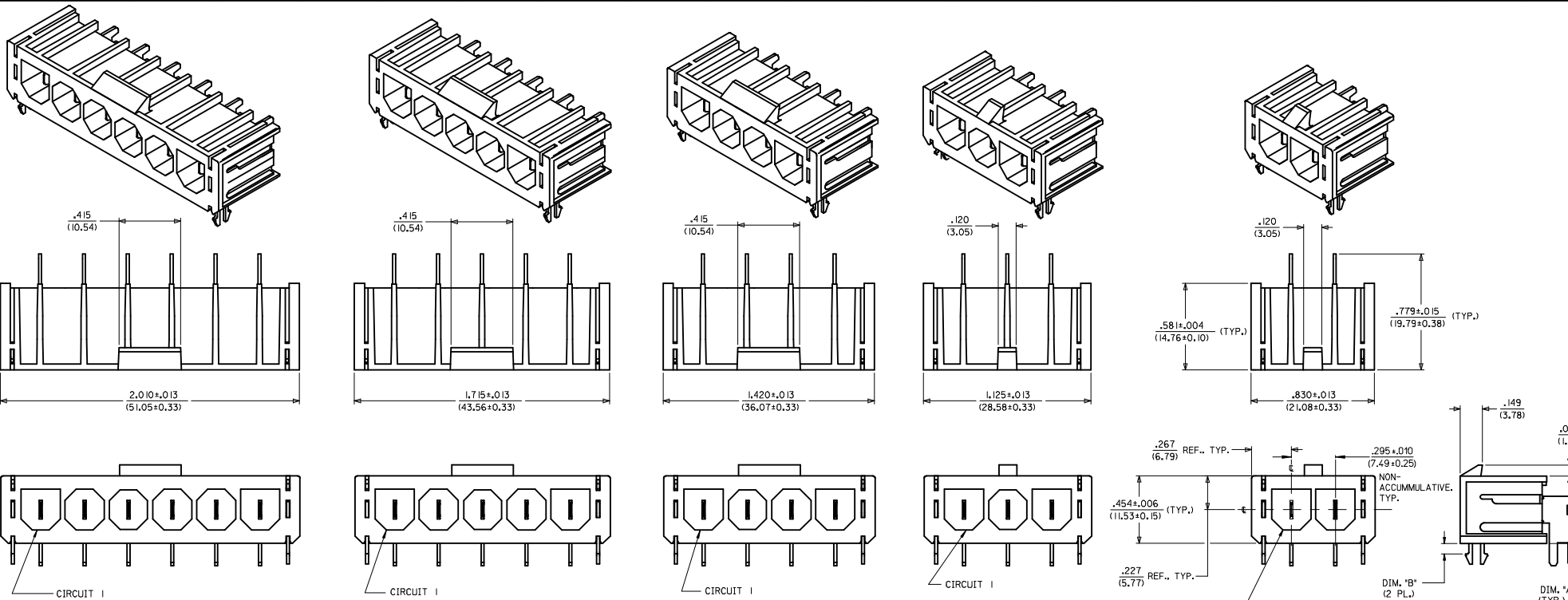
- INSULATOR MATERIAL (SEE CHART):  
 A = 30% GLASS FILLED 46 NYLON, 94V-0, COLOR: BLACK.  
 TERMINAL MATERIAL: BRASS
- TERMINAL FINISH: 60 MICRONS (1.50 MICROMETER) MINIMUM TIN OVER.  
 50 MICRONS (1.25 MICROMETER) MINIMUM NICKEL.
- PRODUCT SPECIFICATION: PSX-44441-9999.
- PACKAGING: SEE CHART.
- THESE HEADERS MATE WITH 43179, 43335, OR 44441 RECEPTACLE HOUSING.
- SEE SHEETS 1, 2 AND 3, FOR VERTICAL HEADER ASSEMBLIES AND THEIR RESPECTIVE PART NUMBERS.
- SEE SHEETS 4, 5 AND 6, FOR RIGHT ANGLE HEADER ASSEMBLIES AND THEIR RESPECTIVE PART NUMBERS.
- DIMENSIONS ARE FOR REFERENCE ONLY, UNLESS INDICATED OTHERWISE.



**MATED SABRE CONNECTOR**

NO SCALE

| <b>SEE SHEET 1</b><br>IEC NO: UCP2016-3654<br>DRAWN BY: CHYDABANDURA<br>DATE: 2016/03/18<br>APPR: FSMTH<br>DATE: 2016/05/06 | <b>QUALITY SYMBOLS</b><br>∇=0<br>∇=0<br>∇=0  | <b>GENERAL TOLERANCES (UNLESS SPECIFIED)</b><br><table border="1"> <thead> <tr> <th></th> <th>mm</th> <th>INCH</th> </tr> </thead> <tbody> <tr> <td>4 PLACES</td> <td>±.005</td> <td>±.005</td> </tr> <tr> <td>3 PLACES</td> <td>±.013</td> <td>±.01</td> </tr> <tr> <td>2 PLACES</td> <td>±.025</td> <td>±.01</td> </tr> <tr> <td>1 PLACE</td> <td>±.050</td> <td>±.01</td> </tr> <tr> <td>0 PLACE</td> <td>±.075</td> <td>±.01</td> </tr> </tbody> </table> |                                       | mm | INCH | 4 PLACES | ±.005 | ±.005 | 3 PLACES | ±.013 | ±.01 | 2 PLACES | ±.025 | ±.01 | 1 PLACE | ±.050 | ±.01 | 0 PLACE | ±.075 | ±.01 | <b>DIMENSION STYLE</b><br>IN/MM<br>SCALE<br>3:1<br>DESIGN UNITS<br>INCH<br>THIRD ANGLE PROJECTION |
|---|--|---|---------------------------------------|----|------|----------|-------|-------|----------|-------|------|----------|-------|------|---------|-------|------|---------|-------|------|---|
|   |  | mm  | INCH                                  |    |      |          |       |       |          |       |      |          |       |      |         |       |      |         |       |      |   |
|   | 4 PLACES   | ±.005   | ±.005                                 |    |      |          |       |       |          |       |      |          |       |      |         |       |      |         |       |      |   |
|   | 3 PLACES   | ±.013   | ±.01                                  |    |      |          |       |       |          |       |      |          |       |      |         |       |      |         |       |      |   |
| 2 PLACES  | ±.025  | ±.01  |                                       |    |      |          |       |       |          |       |      |          |       |      |         |       |      |         |       |      |   |
| 1 PLACE   | ±.050  | ±.01  |                                       |    |      |          |       |       |          |       |      |          |       |      |         |       |      |         |       |      |   |
| 0 PLACE   | ±.075  | ±.01  |                                       |    |      |          |       |       |          |       |      |          |       |      |         |       |      |         |       |      |   |
| DRAWN BY: GC<br>DATE: 11/30/95<br>CHECKED BY: KBP<br>DATE: 11/30/95<br>APPROVED BY: FSMTH<br>DATE: 2015/06/25               | <b>TITLE</b><br>SABRE HEADER, ASSY<br>RA & VERT, 2-6 & 8 CIR.<br>.125/(3.18) X .020/(0.51)   | <b>MATERIAL NO.</b><br>SEE CHART  | <b>DOCUMENT NO.</b><br>SDA-43160-**** |    |      |          |       |       |          |       |      |          |       |      |         |       |      |         |       |      |   |
| <b>SIZE</b><br>D  | <b>THIS DRAWING CONTAINS INFORMATION THAT IS PROPRIETARY TO MOLEX INCORPORATED AND SHOULD NOT BE USED WITHOUT WRITTEN PERMISSION</b> | <b>SHEET NO.</b><br>3 OF 6  | <b>SHEET NO.</b><br>3 OF 6            |    |      |          |       |       |          |       |      |          |       |      |         |       |      |         |       |      |   |

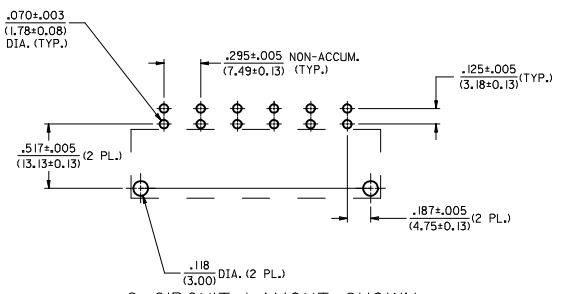


SEE SHEET 5 AND 6 FOR ITEM NUMBER CHART

|             |                      |            |                       |
|-------------|----------------------|------------|-----------------------|
| SOLDER TAIL | DIM. "A" ±.01/(0.28) | BOARD LOCK | DIM. "B" ±.004/(0.10) |
| SHORT       | .150/(3.81)          | .062       | .070/(1.78)           |
| LONG        | .210/(5.33)          | .094       | .102/(2.59)           |
|             |                      | .125       | .133/(3.38)           |

RECOMMENDED P.C. BOARD LAYOUT FOR RIGHT ANGLE HEADERS

SCALE 2:1



6 CIRCUIT LAYOUT SHOWN

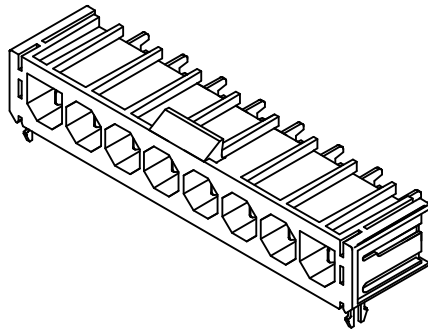
- NOTES:**
- INSULATOR MATERIAL (SEE CHART):  
A = 30% GLASS-FILLED 46 NYLON, 94V-0, COLOR: BLACK  
TERMINAL MATERIAL: BRASS
  - TERMINAL FINISH: 60 MICRON (1.50 MICROMETER) MINIMUM TIN OVER 50 MICRON (1.25 MICROMETER) MINIMUM NICKEL.
  - PRODUCT SPECIFICATION: PSX-44441-9999.
  - PACKAGING: SEE CHART.
  - THESE HEADERS MATE WITH 43179, 43335, OR 44441 RECEPTACLE HOUSINGS.
  - SEE SHEETS 1, 2 AND 3 FOR VERTICAL HEADER ASSEMBLIES AND THEIR RESPECTIVE PART NUMBERS.
  - SEE SHEETS 4, 5 AND 6 FOR RIGHT ANGLE HEADER ASSEMBLIES AND THEIR RESPECTIVE PART NUMBERS.
  - DIMENSIONS ARE FOR REFERENCE ONLY UNLESS INDICATED OTHERWISE.

|   |   |  |  |  |   |
|---|---|--|--|--|---|
| <b>SEE SHEET 1</b><br>IEC NO: UCF2016-3654<br>DRAWN BY: CHYKBANDURA<br>DATE: 2016/03/18<br>APPR: FSMITH<br>DATE: 2016/05/06 | QUALITY SYMBOLS<br>▽=0<br>▽=0<br>▽=0  | GENERAL TOLERANCES (UNLESS SPECIFIED)<br>mm INCH<br>4 PLACES ±.005 ±.005<br>3 PLACES ±.01 ±.01<br>2 PLACES ±.013 ±.01<br>1 PLACE ±.025 ±.01<br>0 PLACE ±.05 ±.01 | DIMENSION STYLE<br>IN/MM<br>DRAWN BY: GC<br>DATE: 11/30/15<br>CHECKED BY: KBP<br>DATE: 11/30/15<br>APPROVED BY: FSMITH<br>DATE: 2015/06/25 | SCALE<br>3:1<br>DESIGN UNITS<br>INCH<br>THIRD ANGLE PROJECTION | TITLE<br>SABRE HEADER, ASSY<br>RA & VERT, 2-6 & 8 CIR.<br>.125/(3.18) X .020/(0.51) |
|   | MATERIAL NO. SEE CHART<br>DOCUMENT NO. SDA-43160-****   |  | SHEET NO. 4 OF 6   |  |   |
|   | DRAFT WHERE APPLICABLE MUST REMAIN WITHIN DIMENSIONS  |  |  |  |   |
|   | THIS DRAWING CONTAINS INFORMATION THAT IS PROPRIETARY TO MOLEX INCORPORATED AND SHOULD NOT BE USED WITHOUT WRITTEN PERMISSION |  |  |  |   |

| RT. ANGLE HEADER ASSEMBLY ITEM NO. | PART CHARACTERISTICS FOR RIGHT ANGLE HEADER |                         |             |            | PACKAGING SPECIFICATIONS | RT. ANGLE HEADER ASSEMBLY ITEM NO. | PART CHARACTERISTICS FOR RIGHT ANGLE HEADER |                         |             |            | PACKAGING SPECIFICATIONS | VOID CIRCUIT NUMBER(S) |
|------------------------------------|---|-------------------------|-------------|------------|--------------------------|------------------------------------|---|-------------------------|-------------|------------|--------------------------|------------------------|
|                                    | CIRCUIT SIZE                                | HSG. MAT'L (SEE NOTE 1) | SOLDER TAIL | BOARD LOCK |                          |                                    | CIRCUIT SIZE                                | HSG. MAT'L (SEE NOTE 1) | SOLDER TAIL | BOARD LOCK |                          |                        |
| 43160-1102                         | 2   | A                       | SHORT       | N/A        | PK-43160-0010            | 43160-1104                         | 4   | A                       | SHORT       | N/A        | PK-43160-0010            | -                      |
| 43160-1302                         | 2   | A                       | LONG        | N/A        | PK-43789-001             | 43160-1304                         | 4   | A                       | LONG        | N/A        | PK-43789-001             | -                      |
| 43160-3102                         | 2   | A                       | SHORT       | .062       | PK-43789-001             | 43160-3104                         | 4   | A                       | SHORT       | .062       | PK-43789-001             | -                      |
| 43160-5102                         | 2   | A                       | SHORT       | .094       | PK-43789-001             | 43160-5104                         | 4   | A                       | SHORT       | .094       | PK-43789-001             | -                      |
| 43160-5302                         | 2   | A                       | LONG        | .094       | PK-43789-001             | 43160-5304                         | 4   | A                       | LONG        | .094       | PK-43789-001             | -                      |
| 43160-7302                         | 2   | A                       | LONG        | .125       | PK-43789-001             | 43160-7304                         | 4   | A                       | LONG        | .125       | PK-43789-001             | -                      |
| 43160-1103                         | 3   | A                       | SHORT       | N/A        | PK-43160-0010            | 43160-1105                         | 5   | A                       | SHORT       | N/A        | PK-43160-0010            | -                      |
| 43160-1303                         | 3   | A                       | LONG        | N/A        | PK-43789-001             | 43160-1305                         | 5   | A                       | LONG        | N/A        | PK-43789-001             | -                      |
| 43160-3103                         | 3   | A                       | SHORT       | .062       | PK-43789-001             | 43160-3105                         | 5   | A                       | SHORT       | .062       | PK-43789-001             | -                      |
| 43160-5103                         | 3   | A                       | SHORT       | .094       | PK-43789-001             | 43160-5105                         | 5   | A                       | SHORT       | .094       | PK-43789-001             | -                      |
| 43160-5303                         | 3   | A                       | LONG        | .094       | PK-43789-001             | 43160-5305                         | 5   | A                       | LONG        | .094       | PK-43789-001             | -                      |
| 43160-7303                         | 3   | A                       | LONG        | .125       | PK-43789-001             | 43160-7305                         | 5   | A                       | LONG        | .125       | PK-43789-001             | -                      |
|                                    |   |                         |             |            |                          | 43160-9001                         | 4   | A                       | SHORT       | .062       | PK-43789-001             | 2                      |
|                                    |   |                         |             |            |                          | 43160-9003                         | 5   | A                       | SHORT       | .062       | PK-43879-001             | 2, 4                   |

| RT. ANGLE HEADER ASSEMBLY ITEM NO. | PART CHARACTERISTICS FOR RIGHT ANGLE HEADER |                         |             |            | PACKAGING SPECIFICATIONS |
|------------------------------------|---|-------------------------|-------------|------------|--------------------------|
|                                    | CIRCUIT SIZE                                | HSG. MAT'L (SEE NOTE 1) | SOLDER TAIL | BOARD LOCK |                          |
| 43160-1106                         | 6   | A                       | SHORT       | N/A        | PK-43160-0010            |
| 43160-1306                         | 6   | A                       | LONG        | N/A        | PK-43789-001             |
| 43160-3106                         | 6   | A                       | SHORT       | .062       | PK-43789-001             |
| 43160-5106                         | 6   | A                       | SHORT       | .094       | PK-43789-001             |
| 43160-5306                         | 6   | A                       | LONG        | .094       | PK-43789-001             |
| 43160-7306                         | 6   | A                       | LONG        | .125       | PK-43789-001             |

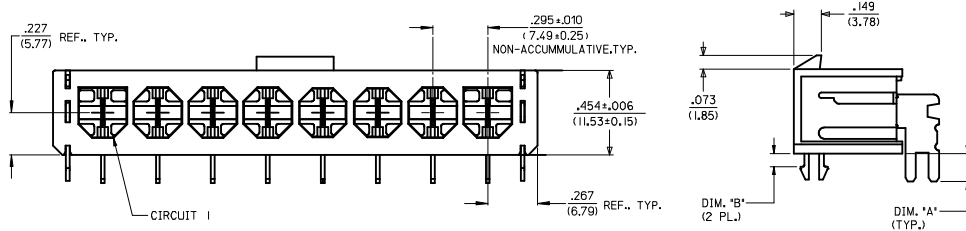
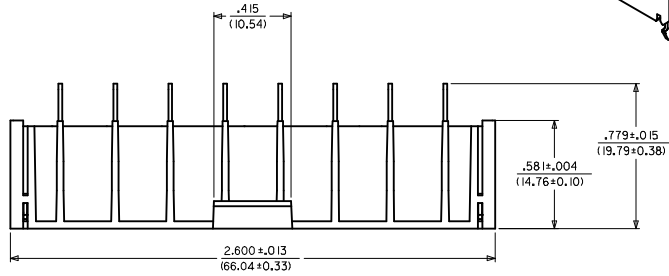
|  |  |                                       |                  |   |   |                        |
|--|--|---------------------------------------|------------------|---|---|------------------------|
| <b>SEE SHEET 1</b><br>IEC NO: UCP2016-3654<br>DRAWN BY: JUP<br>CHYKOBANDURA 2016/03/18<br>APPR:FSM TH 2016/05/06 | QUALITY SYMBOLS                                      | GENERAL TOLERANCES (UNLESS SPECIFIED) | DIMENSION STYLE  | SCALE   | DESIGN UNITS  | THIRD ANGLE PROJECTION |
|  | ▽=0  | mm INCH                               | IN/MM            | 1:1   | INCH  |                        |
|  | ▽=0  | 4 PLACES ±.005                        | DRAWN BY DATE    | GC 11/30/195  | TITLE   |                        |
|  | ▽=0  | 3 PLACES ±.01                         | CHECKED BY DATE  | KBP 11/30/195   | SABRE HEADER, ASSY<br>RA & VERT, 2-6 & 8 CIR.<br>.125/(3.18)X .020/(0.51) |                        |
|  | ANGULAR ±1/2°  | 1 PLACE ±0.25                         | APPROVED BY DATE | FSMITH 2015/06/125  | DOCUMENT NO.  |                        |
|  | DRAFT WHERE APPLICABLE MUST REMAIN WITHIN DIMENSIONS | 0 PLACE ±.005                         | MATERIAL NO.     | SEE CHART   | SDA-43160-****  |                        |
|  |  |                                       | SIZE             | THIS DRAWING CONTAINS INFORMATION THAT IS PROPRIETARY TO MOLEX INCORPORATED AND SHOULD NOT BE USED WITHOUT WRITTEN PERMISSION |   | SHEET NO.<br>5 OF 6    |



| BOARD LOCK | DIM. "B" ±.004/(0.10) |
|------------|-----------------------|
| .062       | .070/(1.78)           |
| .094       | .102/(2.59)           |
| .125       | .133/(3.38)           |

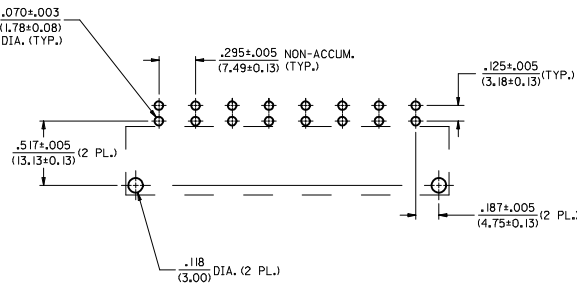
| SOLDER TAIL | DIM. "A" ±.011/(0.28) |
|-------------|-----------------------|
| SHORT       | .150/(3.81)           |
| LONG        | .210/(5.33)           |

| RT. ANGLE HEADER ASSEMBLY ITEM NO. | PART CHARACTERISTICS FOR RIGHT ANGLE HEADER |                         |             |            | PACKAGING SPECIFICATIONS |
|------------------------------------|---|-------------------------|-------------|------------|--------------------------|
|                                    | CIRCUIT SIZE                                | HSG. MAT'L (SEE NOTE 1) | SOLDER TAIL | BOARD LOCK |                          |
| 43160-1108                         | 8   | A                       | SHORT       | N/A        | PK-43160-0010            |
| 43160-1308                         | 8   | A                       | LONG        | N/A        | PK-43789-001             |
| 43160-3108                         | 8   | A                       | SHORT       | .062       | PK-43789-001             |
| 43160-5108                         | 8   | A                       | SHORT       | .094       | PK-43789-001             |
| 43160-5308                         | 8   | A                       | LONG        | .094       | PK-43789-001             |
| 43160-7308                         | 8   | A                       | LONG        | .125       | PK-43789-001             |



**RECOMMENDED P.C. BOARD LAYOUT FOR RIGHT ANGLE HEADERS**

SCALE 2:1



8 CIRCUIT LAYOUT SHOWN

**NOTES:**

- INSULATOR MATERIAL (SEE CHART):  
A = 30% GLASS FILLED 46 NYLON, 94V-0, COLOR: BLACK.
- TERMINAL MATERIAL: BRASS
- TERMINAL FINISH: 60 MICRONCH (1.50 MICROMETER) MINIMUM TIN OVER 50 MICRONCH (1.25 MICROMETER) MINIMUM NICKEL.
- PRODUCT SPECIFICATION: PSX-44441-9999.
- PACKAGING: SEE CHART.
- THESE HEADERS MATE WITH 43179, 43335, OR 44441 RECEPTACLE HOUSINGS.
- SEE SHEETS 1, 2 AND 3, FOR VERTICAL HEADER ASSEMBLIES AND THEIR RESPECTIVE PART NUMBERS.
- SEE SHEETS 4, 5 AND 6, FOR RIGHT ANGLE HEADER ASSEMBLIES AND THEIR RESPECTIVE PART NUMBERS.
- DIMENSIONS ARE FOR REFERENCE ONLY, UNLESS INDICATED OTHERWISE.

|  |   |   |  |   |                     |                                       |                        |
|--|---|---|--|---|---------------------|---------------------------------------|------------------------|
| <b>SEE SHEET 1</b><br>IEC NO. UCF2016-3654<br>DRAWN BY: JUDY CHYKOBANDURA<br>DATE: 2016/03/18<br>APPR: FSM TH 2016/05/06 | <b>QUALITY SYMBOLS</b><br>▽=0<br>▽=0<br>▽=0 | <b>GENERAL TOLERANCES (UNLESS SPECIFIED)</b><br>mm      INCH                        |  | DIMENSION STYLE<br><b>IN/MM</b>   | SCALE<br><b>3:1</b> | DESIGN UNITS<br><b>INCH</b>           | THIRD ANGLE PROJECTION |
|  |   | 4 PLACES ±.005<br>3 PLACES ±.01<br>2 PLACES ±.013<br>1 PLACE ±.025<br>0 PLACE ±.050 | DRAWN BY: GC<br>DATE: 11/30/95<br>CHECKED BY: KBP<br>DATE: 11/30/95<br>APPROVED BY: FSM TH<br>DATE: 2015/06/25 | <b>TITLE</b><br>SABRE HEADER, ASSY<br>RA & VERT, 2-6 & 8 CIR.<br>.125/(3.18)X .020/(0.51) |                     | <b>DOCUMENT NO.</b><br>SDA-43160-**** | SHEET NO.<br>6 OF 6    |

THIS DRAWING CONTAINS INFORMATION THAT IS PROPRIETARY TO MOLEX INCORPORATED AND SHOULD NOT BE USED WITHOUT WRITTEN PERMISSION