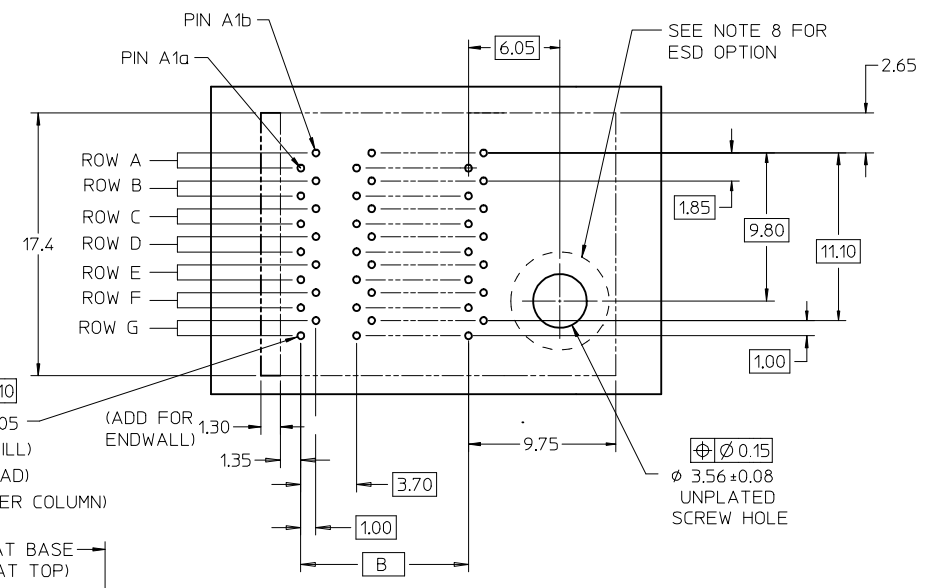
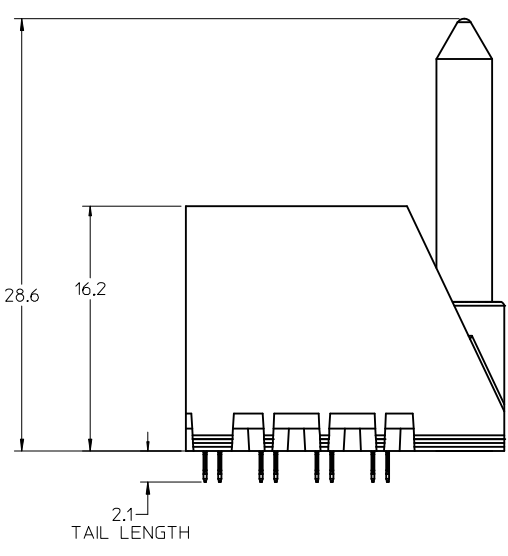


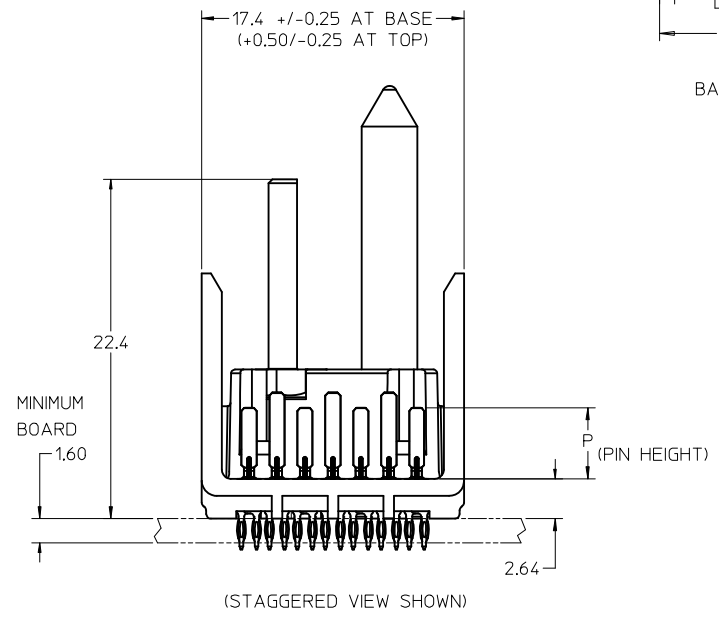
KEY SHOWN IN POSITION "E"



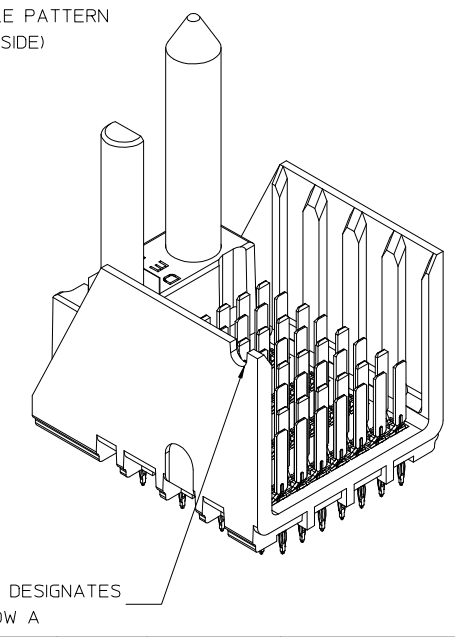
$\varnothing 0.10$   
 $\varnothing 0.46 \pm 0.05$   
 (ADD FOR ENDWALL)  
 $\varnothing 0.57$  DRILL  
 $\varnothing 0.88$  PAD  
 (14 HOLES PER COLUMN)

$\varnothing 0.15$   
 $\varnothing 3.56 \pm 0.08$   
 UNPLATED  
 SCREW HOLE

BACKPLANE HOLE PATTERN  
 (CONNECTOR SIDE)



(STAGGERED VIEW SHOWN)



NOTCH DESIGNATES  
 ROW A

<b>LEADFREE CONVERTER.</b> IEC NO: UCP2013-1898 DRAWN BY: 2012/11/12 CHKD:MMOLFE 2012/11/12 APPR:SMILLER 2012/12/21	QUALITY SYMBOLS $\nabla = 0$ $\nabla = 0$ $\nabla = 0$	GENERAL TOLERANCES (UNLESS SPECIFIED) <table border="1"> <tr> <th></th> <th>mm</th> <th>INCH</th> </tr> <tr> <td>4 PLACES</td> <td><math>\pm 0.13</math></td> <td><math>\pm 0.005</math></td> </tr> <tr> <td>3 PLACES</td> <td><math>\pm 0.25</math></td> <td><math>\pm 0.010</math></td> </tr> <tr> <td>2 PLACES</td> <td><math>\pm 0.50</math></td> <td><math>\pm 0.020</math></td> </tr> <tr> <td>1 PLACE</td> <td><math>\pm 1.27</math></td> <td><math>\pm 0.050</math></td> </tr> <tr> <td>0 PLACE</td> <td><math>\pm 2.54</math></td> <td><math>\pm 0.100</math></td> </tr> </table>		mm	INCH	4 PLACES	$\pm 0.13$	$\pm 0.005$	3 PLACES	$\pm 0.25$	$\pm 0.010$	2 PLACES	$\pm 0.50$	$\pm 0.020$	1 PLACE	$\pm 1.27$	$\pm 0.050$	0 PLACE	$\pm 2.54$	$\pm 0.100$	DIMENSION STYLE <b>MM ONLY</b> DRAWN BY: DATE BPISZCZOR 3/28/06 CHECKED BY: DATE JLAURX 2007/02/06 APPROVED BY: DATE CBIXLER 2007/02/06	SCALE <b>4:1</b>	DESIGN UNITS <b>METRIC</b>	THIRD ANGLE PROJECTION
		mm	INCH																					
	4 PLACES	$\pm 0.13$	$\pm 0.005$																					
	3 PLACES	$\pm 0.25$	$\pm 0.010$																					
2 PLACES	$\pm 0.50$	$\pm 0.020$																						
1 PLACE	$\pm 1.27$	$\pm 0.050$																						
0 PLACE	$\pm 2.54$	$\pm 0.100$																						
MATERIAL NO. <b>SEE TABLE</b>	DOCUMENT NO. <b>SD-76015-004</b>	SHEET NO. <b>1 OF 4</b>																						
DRAFT WHERE APPLICABLE MUST REMAIN WITHIN DIMENSIONS			THIS DRAWING CONTAINS INFORMATION THAT IS PROPRIETARY TO MOLEX INCORPORATED AND SHOULD NOT BE USED WITHOUT WRITTEN PERMISSION																					
<b>moLEX</b>																								

# 76015-\*\*\*\*

MODULE TYPE -- TAIL PLATING TYPE  
 GUIDE RIGHT -- TIN ONLY = 4 (PREVIOUSLY TIN/LEAD)  
 GUIDE RIGHT -- TIN ONLY = 5  
 GUIDE RIGHT W/END -- TIN ONLY = 8 (PREVIOUSLY TIN/LEAD)  
 GUIDE RIGHT W/END -- TIN ONLY = 9

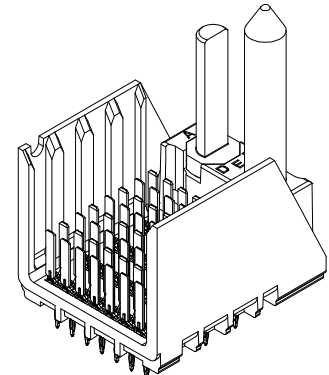
# OF COLUMNS  
 4 = 4 COL  
 6 = 6 COL  
 1 = 10 COL

KEY ORIENTATION  
 0 = NO KEY  
 1 = A  
 2 = B  
 3 = C  
 4 = D  
 5 = E  
 6 = F  
 7 = G  
 8 = H

PIN LENGTH (P)  
 2 = 3.90 - 30 GOLD  
 3 = 4.70 - 30 GOLD  
 4 = 5.70 - 30 GOLD  
 5 = 4.70 & 5.70 - 30 GOLD STAGGERED  
 6 = 3.90 - 10 GOLD  
 7 = 4.70 - 10 GOLD  
 8 = 5.70 - 10 GOLD  
 9 = 4.70 & 5.70 - 10 GOLD STAGGERED

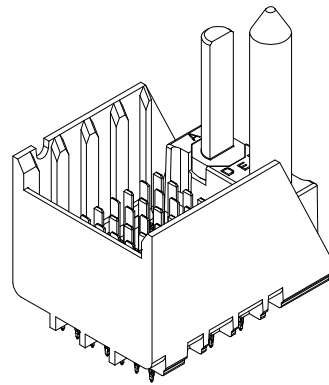
MATERIAL NUMBER	# OF COLUMNS	DIM "A"	DIM "B"
76015-4**	4	21.1	11.10
76015-6**	6	28.5	18.50
76015-1**	10	43.3	33.30

GUIDE RIGHT STYLE



MATERIAL NUMBER	# OF COLUMNS	DIM "A"	DIM "B"
76015-4**	4	22.4	11.10
76015-6**	6	29.8	18.50
76015-1**	10	44.6	33.30

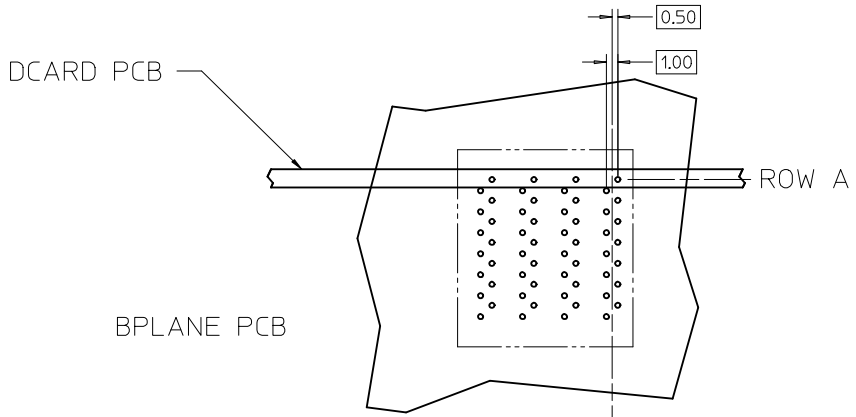
GUIDE RIGHT W/END STYLE



NOTES:

1. MATERIALS: HOUSING - LIQUID CRYSTAL POLYMER (LCP) GLASS-FILLED, UL94V-0  
 TERMINALS - HIGH PERFORMANCE COPPER ALLOY
2. FINISH: 10 MICROINCH MINIMUM GOLD OR 30 MICROINCH MINIMUM GOLD IN CONTACT AREA. SELECTIVE MATTE TIN ON PCB TAILS, NICKEL OVERALL.
3. REFER TO MOLEX PRODUCT SPECIFICATION PS-75710-999 FOR PERFORMANCE SPECIFICATIONS.
4. FOR MIXED CONTACT MATING LENGTHS, CONSULT MOLEX FOR AVAILABILITY.
5. THIS PART CONFORMS TO CLASS B REQUIREMENTS OF COSMETIC SPEC PS-45499-002.
6. PACKAGE PER: PK-70873-802.
7. GUIDED PARTS TO BE SHIPPED WITH 2-56 UNC B SCREW P/N 73774-1000.
8. FOR GROUNDED GUIDE PINS USE DIA 3.56 +/-0.08 (PTH), DIA 3.66 (DRILL), AND DIA 6.5 (PAD).
9. REFER TO PCB ROUTING GUIDE FOR ANTI-PAD AND ROUTING RECOMMENDATIONS.

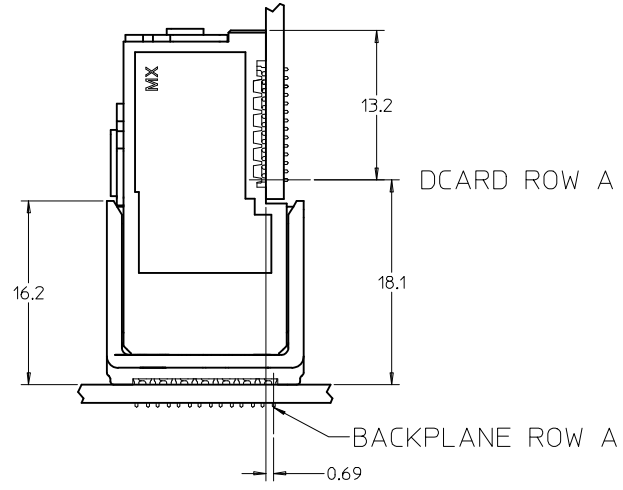
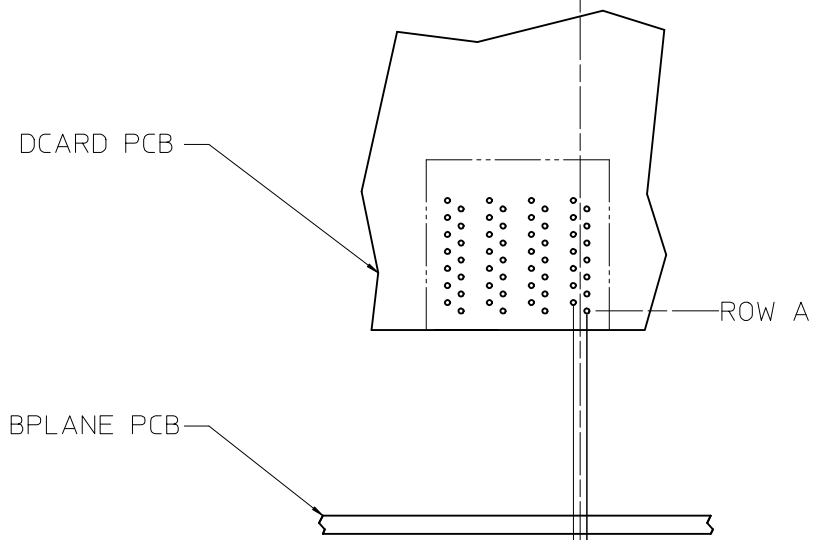
SEE SHEET 1 EC NO: UCP2013-1898 DRWN:MP0FF 2012/11/12 CHKD:HWOLF 2012/11/12 APPR:SMILLER 2012/12/21	QUALITY SYMBOLS	GENERAL TOLERANCES (UNLESS SPECIFIED)	DIMENSION STYLE <b>MM ONLY</b>	SCALE <b>4:1</b>	DESIGN UNITS <b>METRIC</b>	THIRD ANGLE PROJECTION
	▽=0	mm INCH	DRAWN BY DATE BPISZCZOR 3/28/06	TITLE <b>I-TRAC BACKPLANE 7 ROW GUIDE RIGHT ASSEMBLY SALES DRAWING</b>		
	▽=0	4 PLACES ± --- ± ---	CHECKED BY DATE JLAURX 2007/02/06			
	▽=0	ANGULAR ±1/2°	1 PLACES ±0.13 ± ---	APPROVED BY DATE CBIXLER 2007/02/06	DOCUMENT NO. <b>SD-76015-004</b>	
▽=0	DRAFT WHERE APPLICABLE MUST REMAIN WITHIN DIMENSIONS	0 PLACES ± ±	MATERIAL NO. <b>SEE TABLE</b>	SHEET NO. <b>2 OF 4</b>		
THIS DRAWING CONTAINS INFORMATION THAT IS PROPRIETARY TO MOLEX INCORPORATED AND SHOULD NOT BE USED WITHOUT WRITTEN PERMISSION						



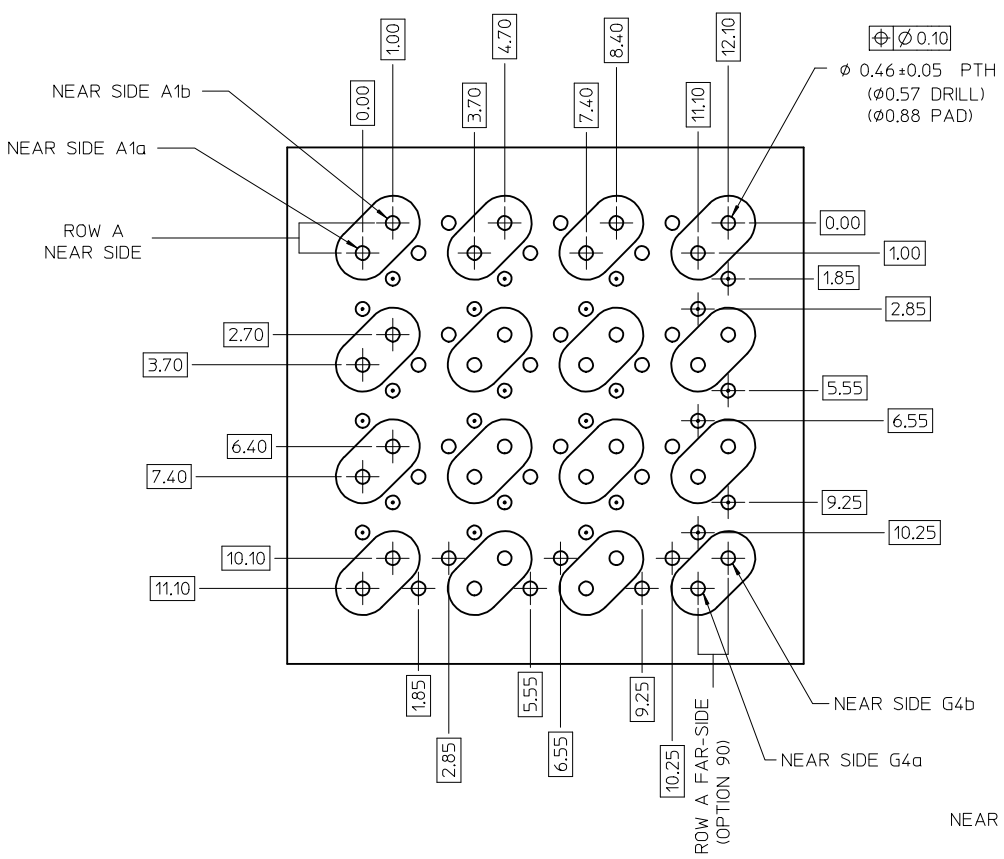
7 ROW I-TRAC BOARD RELATIONSHIPS

SCALE 2:1

CENTERLINE OF HOLE PATTERN COLUMN



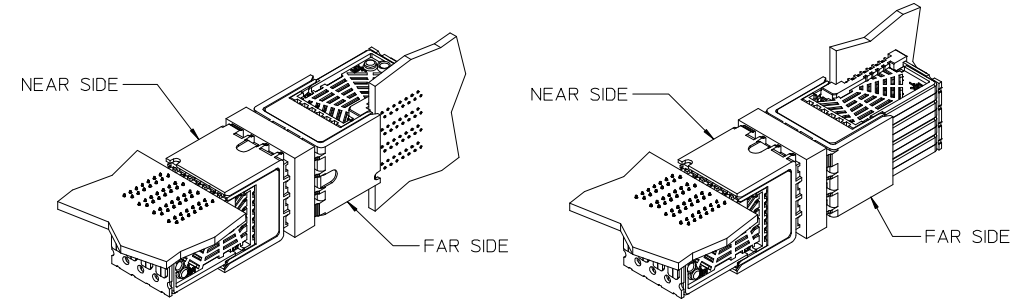
SEE SHEET 1 EC NO: UCP2013-1898 DRAWN: MPOFF 2012/11/12 CHKD: MWLF 2012/11/12 APPR: SMILLER 2012/12/21	QUALITY SYMBOLS	GENERAL TOLERANCES (UNLESS SPECIFIED)	DIMENSION STYLE	SCALE	DESIGN UNITS	THIRD ANGLE PROJECTION
	▽=0	mm INCH	MM ONLY	4:1	METRIC	
	▽=0	4 PLACES ± --- ± ---	DRAWN BY DATE	TITLE	I-TRAC BACKPLANE 7 ROW GUIDE RIGHT ASSEMBLY SALES DRAWING	
	▽=0	3 PLACES ± --- ± ---	BPISZCZOR 3/28/06	3/28/06	molex	
	2 PLACES ± 0.13 ± ---	CHECKED BY DATE	DOCUMENT NO.		SHEET NO.	
	1 PLACE ± 0.25 ± ---	JLAURX 2007/02/06	SD-76015-004		3 OF 4	
	0 PLACE ± ±	APPROVED BY DATE	THIS DRAWING CONTAINS INFORMATION THAT IS PROPRIETARY TO MOLEX INCORPORATED AND SHOULD NOT BE USED WITHOUT WRITTEN PERMISSION			
		CBIXLER 2007/02/06				
		MATERIAL NO.				
		ANGULAR ±1/2°				
		DRAFT WHERE APPLICABLE MUST REMAIN WITHIN DIMENSIONS				



Orthogonal PCB Layout

ORTHO PIN MAPPING			
OPTION 90 (NEAR SIDE - FAR SIDE)			
A1b-G4b	A2b-E4b	A3b-C4b	A4b-A4b
A1a-G4a	A2a-E4a	A3a-C4a	A4a-A4a
C1b-G3b	C2b-E3b	C3b-C3b	C4b-A3b
C1a-G3a	C2a-E3a	C3a-C3a	C4a-A3a
E1b-G2b	E2b-E2b	E3b-C2b	E4b-A2b
E1a-G2a	E2a-E2a	E3a-C2a	E4a-A2a
G1b-G1b	G2b-E1b	G3b-C1b	G4b-A1b
G1a-G1a	G2a-E1a	G3a-C1a	G4a-A1a

ORTHO PIN MAPPING			
OPTION 270 (NEAR SIDE - FAR SIDE)			
A1b-A1a	A2b-C1a	A3b-E1a	A4b-G1a
A1a-A1b	A2a-C1b	A3a-E1b	A4a-G1b
C1b-A2a	C2b-C2a	C3b-E2a	C4b-G2a
C1a-A2b	C2a-C2b	C3a-E2b	C4a-G2b
E1b-A3a	E2b-C3a	E3b-E3a	E4b-G3a
E1a-A3b	E2a-C3b	E3a-E3b	E4a-G3b
G1b-A4a	G2b-C4a	G3b-E4a	G4b-G4a
G1a-A4b	G2a-C4b	G3a-E4b	G4a-G4b



OPTION 90

OPTION 270

NOTES:



SIGNAL PAIRS (SHARED VIAS)

- NEAR SIDE GROUNDS
- FAR SIDE GROUNDS

SEE SHEET 1 EC NO: UCP2013-1898 DRWN:MP0FF 2012/11/12 CHKD:MMOLFE 2012/11/12 APPR:SMILLER 2012/12/21	QUALITY SYMBOLS	GENERAL TOLERANCES (UNLESS SPECIFIED)		DIMENSION STYLE	SCALE	DESIGN UNITS	THIRD ANGLE PROJECTION	
	▽=0	mm	INCH	MM ONLY	4:1	METRIC		
	▽=0	4 PLACES ± --- ± ---	3 PLACES ± --- ± ---	DRAWN BY DATE	TITLE			
	▽=0	2 PLACES ± 0.13 ± ---	1 PLACE ± 0.25 ± ---	0 PLACE ± ±	BPI SZCZOR 3/28/06	I-TRAC BACKPLANE 7 ROW GUIDE RIGHT ASSEMBLY SALES DRAWING		
	▽=0	ANGULAR ±1/2°		CHECKED BY DATE	JLAURX 2007/02/06			
REVISION	DRAFT WHERE APPLICABLE MUST REMAIN WITHIN DIMENSIONS		APPROVED BY DATE	CBI XLER 2007/02/06			I-TRAC BACKPLANE 7 ROW GUIDE RIGHT ASSEMBLY SALES DRAWING <b>molex</b> DOCUMENT NO. SD-76015-004 SHEET NO. 4 OF 4	
	MATERIAL NO.		SEE TABLE					
THIS DRAWING CONTAINS INFORMATION THAT IS PROPRIETARY TO MOLEX INCORPORATED AND SHOULD NOT BE USED WITHOUT WRITTEN PERMISSION								