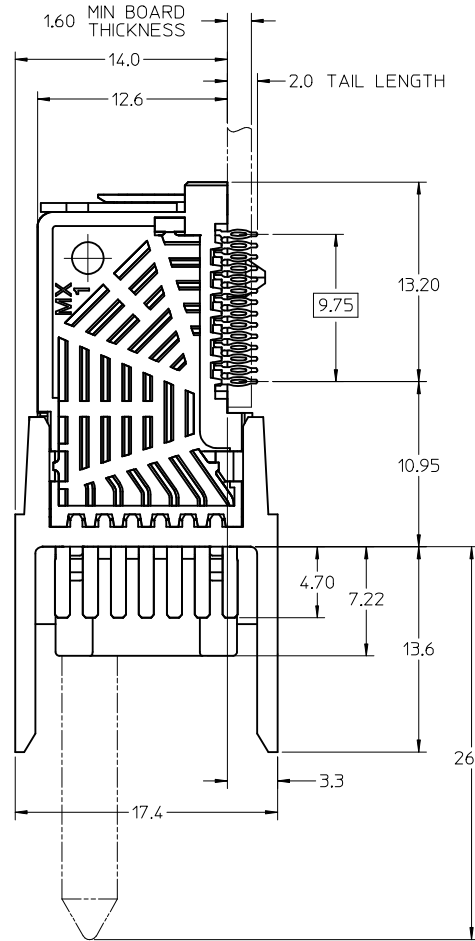
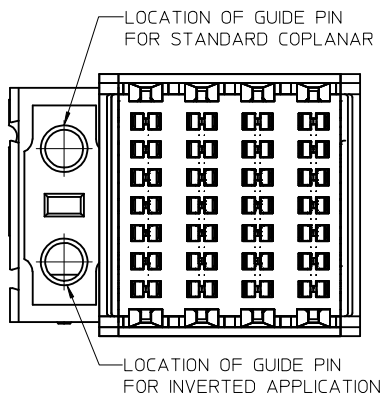
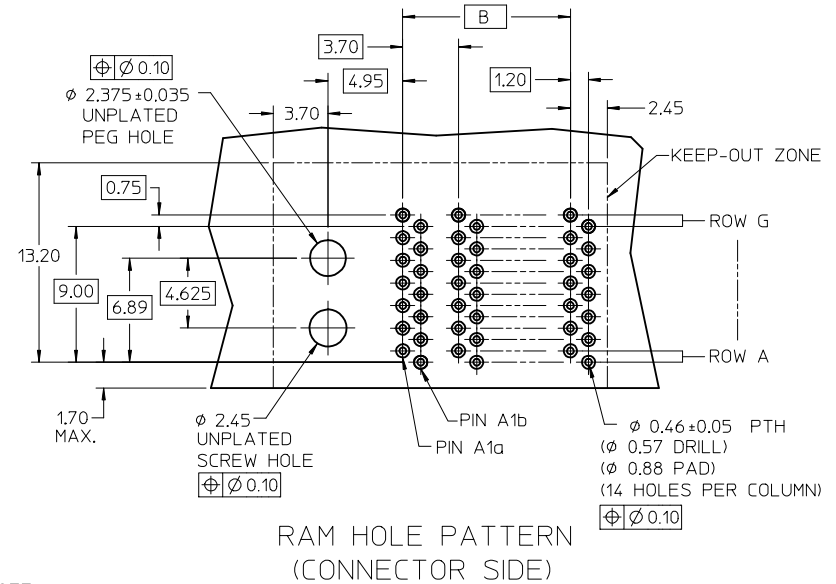


ADDITIONAL SPACE REQUIRED FOR END WALL VERSION



STANDARD PIN OPTION
(76011-***3)
(76011-***7)



RAM HOLE PATTERN
(CONNECTOR SIDE)

- NOTES:
1. MATERIALS: HOUSING - LIQUID CRYSTAL POLYMER (LCP), BLACK, UL 94V-0
TERMINALS - HIGH PERFORMANCE COPPER ALLOY
 2. FINISH: SELECTIVE GOLD (Au) IN CONTACT AREA,
SELECTIVE MATTE TIN (Sn) IN TAIL AREA,
NICKEL (Ni) UNDERPLATE OVERALL.
 3. MOLEX PRODUCT SPECIFICATION: PS-75710-999.
 4. OPTIONAL GUIDE PIN SHOWN IN COPLANAR LOCATION.
 5. THIS PART CONFORMS TO CLASS B REQUIREMENTS OF
COSMETIC SPEC PS-45499-002.
 6. PACKAGED PER PK-70873-588.
 7. MAPS (MOLEX ADVANCED PLATING SYSTEM).

LEAD FREE CON/MAPS EC NO: UCP2013-4120 DRW: BARKER 2012/11/12 CHKD: MOLLER 2013/03/20 APPR: MILLER 2013/08/05	QUALITY SYMBOLS ▽=0 ▽=0 ▽=0	GENERAL TOLERANCES (UNLESS SPECIFIED)		DIMENSION STYLE MM ONLY		SCALE 4:1	DESIGN UNITS METRIC	THIRD ANGLE PROJECTION			
		4 PLACES ± --- ± ---	3 PLACES ± --- ± ---	2 PLACES ± 0.13 ± ---	1 PLACE ± 0.25 ± ---	0 PLACE ± ±	DRAWN BY ELO 2006/05/04		TITLE I-TRAC 7-ROW RIGHT ANGLE MALE GUIDE LEFT ASSEMBLY		
		ANGULAR ± ---°		DRAFT WHERE APPLICABLE MUST REMAIN WITHIN DIMENSIONS		CHECKED BY ELO 2007/02/02		APPROVED BY CB XLER 2007/02/05		DOCUMENT NO. SD-76011-002	
		SEE SHEET 2		MATERIAL NO.		SHEET NO. 1 OF 3		THIS DRAWING CONTAINS INFORMATION THAT IS PROPRIETARY TO MOLEX INCORPORATED AND SHOULD NOT BE USED WITHOUT WRITTEN PERMISSION			

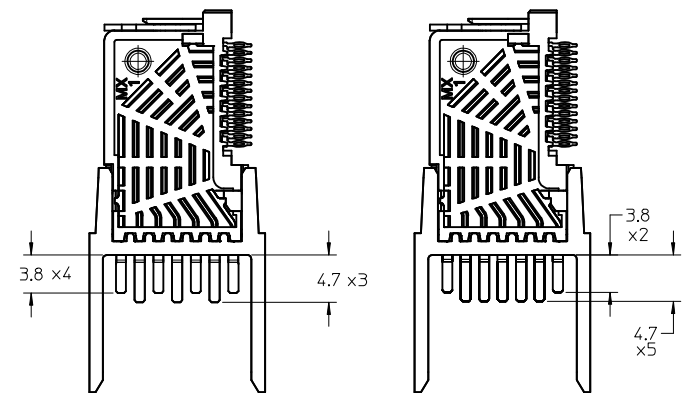
7 6 0 1 1 - * * * *

MODULE TYPE - TAIL PLATING TYPE
 GUIDE LEFT, - MATTE TIN (FORMERLY TIN/LEAD) = 2
 GUIDE LEFT, - MATTE TIN = 3
 GUIDE LEFT, END WALL - MATTE TIN (FORMERLY TIN/LEAD) = 6
 GUIDE LEFT, END WALL - MATTE TIN = 7

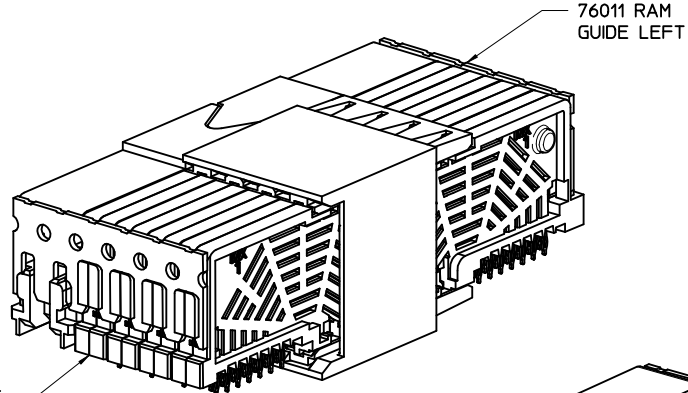
OF COLUMNS
 4 = 4 COL
 6 = 6 COL
 1 = 10 COL

PIN LENGTH/PLATING
 3 = 4.70 30 GOLD
 5 = 4 X 3.80, 3 X 4.70 STAGGERED 30 GOLD
 6 = 2 X 3.80, 5 X 4.70 STAGGERED 30 GOLD
 7 = 4.70 10 GOLD (MAPS)
 8 = 4 X 3.80, 3 X 4.70 STAGGERED 10 GOLD (MAPS)
 9 = 2 X 3.80, 5 X 4.70 STAGGERED 10 GOLD (MAPS)

ORIENTATION OF GUIDE POST
 2 = COPLANAR
 3 = INVERTED



STAGGERED PIN OPTION (76011-***5) (76011-***8)
 STAGGERED PIN OPTION (76011-***6) (76011-***9)

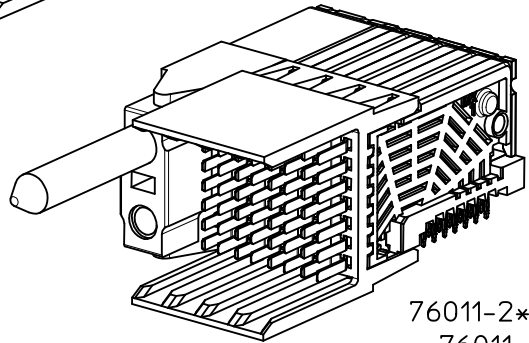


76011 RAM GUIDE LEFT

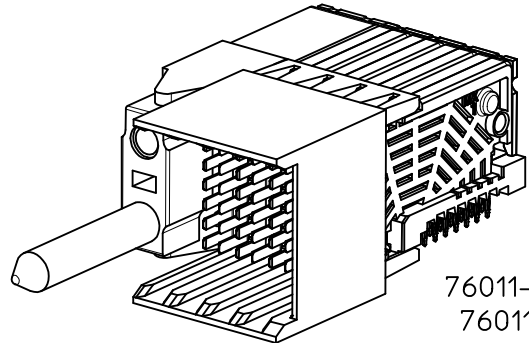
76020 DC GUIDE RIGHT

NOTE:

WHEN MATING RIGHT ANGLE MALE (RAM) TO A DAUGHTERCARD IN A COPLANAR APPLICATION, THE GUIDE CONFIGURATION IS OPPOSING (DC GUIDE RIGHT MATED TO RAM GUIDE LEFT). WHEN INVERTED, THE RAM AND DAUGHTERCARD HAVE THE SAME GUIDE CONFIGURATION (DC GUIDE LEFT MATED TO RAM GUIDE LEFT). (SEE SHEET 3)



76011-2*2* or 76011-3*2* GUIDE LEFT, COPLANAR

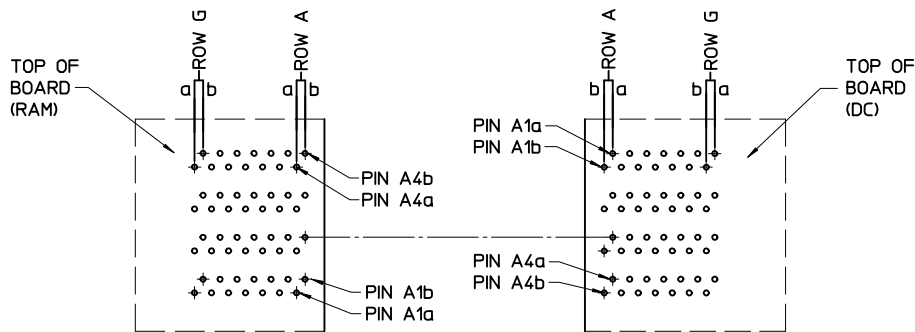
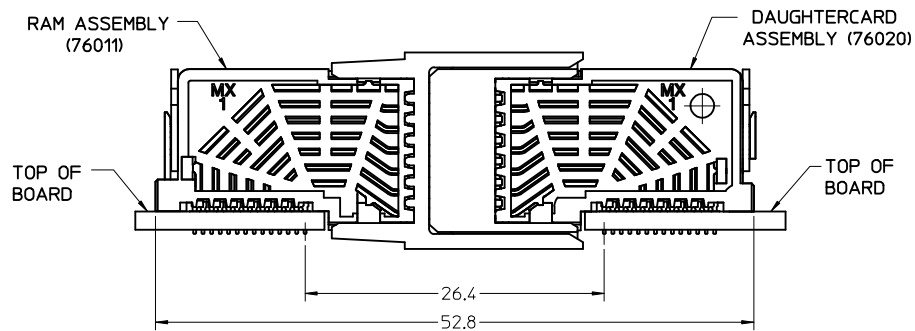


76011-6*3* or 76011-7*3* GUIDE LEFT, END WALL, INVERTED

PART NUMBER	# OF COLUMNS	DIM "A" MAX	DIM "B"
76011 - *4**	4	22.06	11.10
76011 - *6**	6	29.60	18.50
76011 - *1**	10	44.40	33.30

SEE SHEET 1 EC NO: UCP2013-4120 DRW: BARKER 2012/11/12 CHK: MOLLER 2013/03/20 APPR: MILLER 2013/08/05	QUALITY SYMBOLS ▽=0 ▽=0 ▽=0	GENERAL TOLERANCES (UNLESS SPECIFIED)		DIMENSION STYLE MM ONLY		SCALE 3:1	DESIGN UNITS METRIC	THIRD ANGLE PROJECTION		
		4 PLACES ± --- ± --- 3 PLACES ± --- ± --- 2 PLACES ± 0.13 ± --- 1 PLACE ± 0.25 ± --- 0 PLACE ± ±	mm INCH ELO 2006/05/04 ELO 2007/02/02 CBIXLER 2007/02/05	DRAWN BY DATE CHECKED BY DATE APPROVED BY DATE		TITLE I-TRAC 7-ROW RIGHT ANGLE MALE GUIDE LEFT ASSEMBLY		MATERIAL NO. SD-76011-002		SHEET NO. 2 OF 3
		ANGULAR ± --- °		SEE ABOVE		DOCUMENT NO.		moxlex		
		DRAFT WHERE APPLICABLE MUST REMAIN WITHIN DIMENSIONS				THIS DRAWING CONTAINS INFORMATION THAT IS PROPRIETARY TO MOLEX INCORPORATED AND SHOULD NOT BE USED WITHOUT WRITTEN PERMISSION				

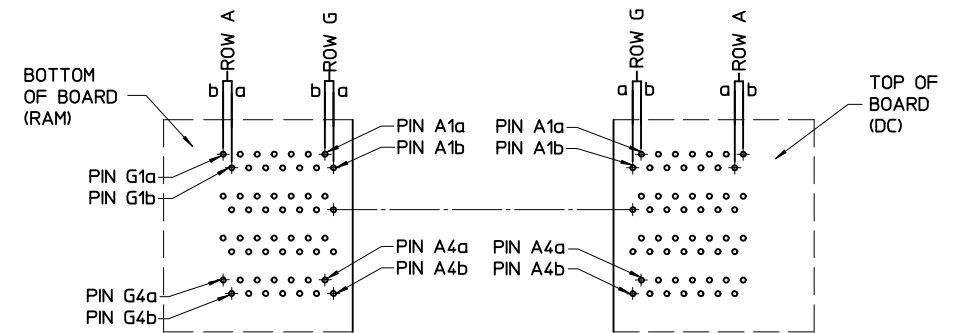
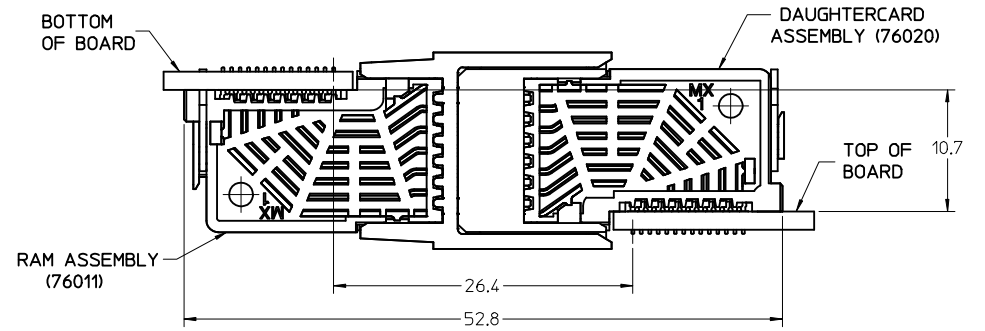
COPLANAR APPLICATION



COPLANAR MATED SIGNAL PATHS

RAM PIN A4b.....	DC PIN A1a
RAM PIN A4a.....	DC PIN A1b
RAM PIN A1b.....	DC PIN A4a
RAM PIN A1a.....	DC PIN A4b

INVERTED APPLICATION



INVERTED MATED SIGNAL PATHS

RAM PIN G1a.....	DC PIN A1a
RAM PIN G1b.....	DC PIN A1b
RAM PIN G4a.....	DC PIN A4a
RAM PIN G4b.....	DC PIN A4b

SEE SHEET 1 EC NO: UCP2013-4120 2012/11/12 DRW:BBARKER 2013/03/20 CHKD:MMOLFE 2013/08/05 APPR:SMILLER	QUALITY SYMBOLS ∇=0 ∇=0 ∇=0	GENERAL TOLERANCES (UNLESS SPECIFIED) mm INCH 4 PLACES ± --- ± --- 3 PLACES ± --- ± --- 2 PLACES ± 0.13 ± --- 1 PLACE ± 0.25 ± --- 0 PLACE ± ± ANGULAR ± ---°	DIMENSION STYLE MM ONLY DRAWN BY DATE ELO 2006/05/04 CHECKED BY DATE ELO 2007/02/02 APPROVED BY DATE CBI XLER 2007/02/05	SCALE 2:1 DESIGN UNITS METRIC THIRD ANGLE PROJECTION	TITLE I-TRAC 7-ROW RIGHT ANGLE MALE GUIDE LEFT ASSEMBLY molex	MATERIAL NO. SEE SHEET 2	DOCUMENT NO. SD-76011-002	SHEET NO. 3 OF 3
	DRAFT WHERE APPLICABLE MUST REMAIN WITHIN DIMENSIONS		THIS DRAWING CONTAINS INFORMATION THAT IS PROPRIETARY TO MOLEX INCORPORATED AND SHOULD NOT BE USED WITHOUT WRITTEN PERMISSION					