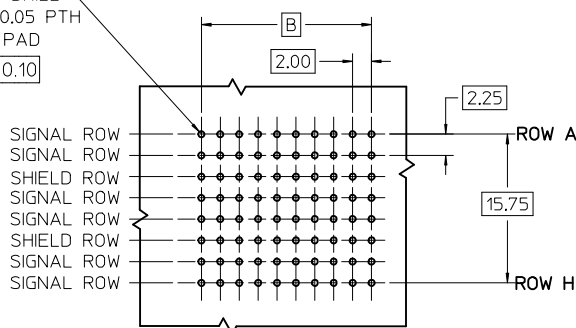
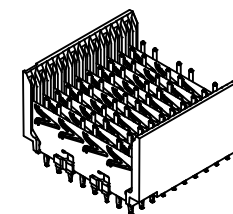


$\phi 0.66$ DRILL
 $\phi 0.56 \pm 0.05$ PTH
 $\phi 1.00$ PAD
 $\phi 0.10$

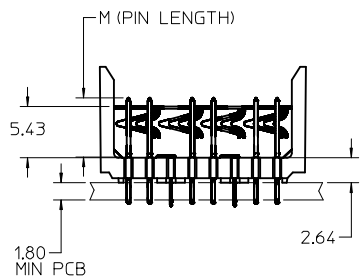
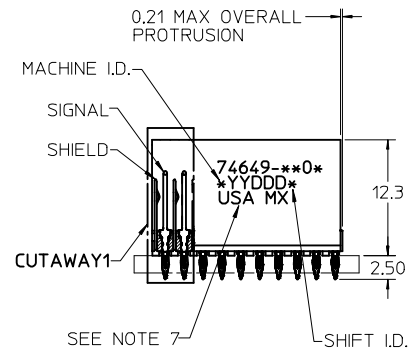


**BACKPLANE HOLE PATTERN
RECOMMENDED DIMENSION**



NOTES:

1. MATERIAL:
HOUSING -LIQUID CRYSTAL POLYMER (LCP), GLASS-FILLED. UL 94V-0. COLOR BLACK. SIGNAL PIN & SHIELD -HIGH PERFORMANCE COPPER ALLOY.
2. FINISHES:
CONTACT AREA: SELECTIVE GOLD (Au)
PCB TAILS: SELECTIVE MATTE TIN (Sn)
NICKEL (Ni) OVERALL.
3. THIS PART CONFORMS TO MOLEX PRODUCT SPECIFICATION PS-74031-999.
4. FOR MIXED CONTACT MATING LENGTHS CONSULT MOLEX FOR AVAILABILITY.
5. FOR SPECIFIC PART NUMBERS AND MATING INFORMATION REFER TO SHEET 2.
6. PACKAGE PER PK-74060-003.
7. EITHER MARK PART NUMBER AND DATE CODE APPROXIMATELY WHERE SHOWN OR PLACE LABEL ON THE TUBE.
8. MAPS (MOLEX ADVANCED PLATING SYSTEM).



UPDATE TABLE EC NO: UCP2014-3396 IDRW:SVANG01 2014/02/14 CHKD:MWOLFE 2014/02/14 APPR:SMILLER 2014/02/25	DESCRIPTION REV:	QUALITY SYMBOLS $\nabla = 0$ $\nabla = 0$ $\nabla = 0$	GENERAL TOLERANCES (UNLESS SPECIFIED) <table border="1"> <tr> <th></th> <th>mm</th> <th>INCH</th> </tr> <tr> <td>4 PLACES</td> <td>± 0.15</td> <td>± 0.006</td> </tr> <tr> <td>3 PLACES</td> <td>± 0.25</td> <td>± 0.010</td> </tr> <tr> <td>2 PLACES</td> <td>± 0.38</td> <td>± 0.015</td> </tr> <tr> <td>1 PLACE</td> <td>± 0.51</td> <td>± 0.020</td> </tr> <tr> <td>0 PLACE</td> <td>± 0.64</td> <td>± 0.025</td> </tr> </table>		mm	INCH	4 PLACES	± 0.15	± 0.006	3 PLACES	± 0.25	± 0.010	2 PLACES	± 0.38	± 0.015	1 PLACE	± 0.51	± 0.020	0 PLACE	± 0.64	± 0.025	DIMENSION STYLE MM ONLY DRAWN BY DATE MOWANG 2001/05/21 CHECKED BY DATE JLAURX 2001/05/25 APPROVED BY DATE CBIXLER 2001/05/25	SCALE 2.5:1 DESIGN UNITS METRIC	THIRD ANGLE PROJECTION
			mm	INCH																				
		4 PLACES	± 0.15	± 0.006																				
		3 PLACES	± 0.25	± 0.010																				
2 PLACES	± 0.38	± 0.015																						
1 PLACE	± 0.51	± 0.020																						
0 PLACE	± 0.64	± 0.025																						
DRAFT WHERE APPLICABLE MUST REMAIN WITHIN DIMENSIONS			MATERIAL NO. SEE SHEET 2	DOCUMENT NO. SD-74649-003	SHEET NO. 1 OF 2																			
THIS DRAWING CONTAINS INFORMATION THAT IS PROPRIETARY TO MOLEX INCORPORATED AND SHOULD NOT BE USED WITHOUT WRITTEN PERMISSION																								

MATERIAL NUMBER ASSIGNMENT

74649-***0*

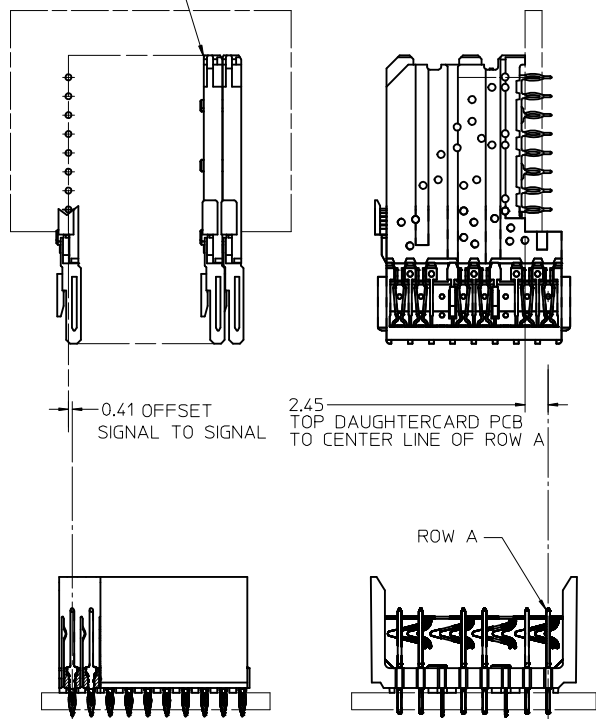
- 11 = 10 COLUMN MATTE TIN (FORMERLY TIN/LEAD)
- 26 = 25 COLUMN MATTE TIN (FORMERLY TIN/LEAD)
- 61 = 10 COLUMN MATTE TIN (MAPS)
- 76 = 25 COLUMN MATTE TIN (MAPS)
- 91 = 10 COLUMN MATTE TIN
- 86 = 25 COLUMN MATTE TIN

PIN HEIGHT / PLATING

- 1-4 = 0.25 or 0.76 GOLD
- 6-9 = 1.27 GOLD

- 1 & 6 = 4.75
- 2 & 7 = 6.25
- 3 & 8 = 4.25
- 4 & 9 = 5.15

DAUGHTERCARD
CONNECTOR SIDE



PART NUMBER	COLUMN	NUMBER OF SIGNAL PIN	NUMBER OF SHIELD	A	B	M	GOLD THICKNESS MICROMETER	TIN THICKNESS MICROMETER
74649-6101	10	60	10	20.00	18.00	4.75	0.25 MAPS	0.76-1.52
74649-*101							0.76	
74649-*106							1.27	
74649-7601	25	150	25	50.00	48.00	4.75	0.25 MAPS	
74649-*601							0.76	
74649-*606							1.27	
74649-6102	10	60	10	20.00	18.00	6.25	0.25 MAPS	
74649-*102							0.76	
74649-*107							1.27	
74649-7602	25	150	25	50.00	48.00	6.25	0.25 MAPS	
74649-*602							0.76	
74649-*607							1.27	
74649-6103	10	60	10	20.00	18.00	4.25	0.25 MAPS	
74649-*103							0.76	
74649-*108							1.27	
74649-7603	25	150	25	50.00	48.00	4.25	0.25 MAPS	
74649-*603							0.76	
74649-*608							1.27	
74649-6104	10	60	10	20.00	18.00	5.15	0.25 MAPS	
74649-*104							0.76	
74649-*109							1.27	
74649-7604	25	150	25	50.00	48.00	5.15	0.25 MAPS	
74649-*604							0.76	
74649-*609							1.27	

SEE SHEET 1 EC NO: UCP2014-3396 DRAWN BY: MOWANG CHECKED BY: JLAXURX APPROVED BY: CBIXLER	DESCRIPTION 2014/02/14 2014/02/14 2014/02/25	QUALITY SYMBOLS ▽=0 ▽=0 ▽=0	GENERAL TOLERANCES (UNLESS SPECIFIED)		DIMENSION STYLE MM ONLY	SCALE 2.5:1	DESIGN UNITS METRIC	THIRD ANGLE PROJECTION
			4 PLACES ± --- ± --- 3 PLACES ± --- ± --- 2 PLACES ± 0.25 ± --- 1 PLACE ± 0.38 ± --- 0 PLACE ± ±	DRAWN BY DATE MOWANG 2001/05/21	TITLE HSD SALES ASSEMBLY 8 ROW ADVANCED MATE OPEN END BACKPLANE			
			ANGULAR ±1/2° DRAFT WHERE APPLICABLE MUST REMAIN WITHIN DIMENSIONS	CHECKED BY DATE JLAXURX 2001/05/25	APPROVED BY DATE CBIXLER 2001/05/25			
			MATERIAL NO. SEE TABLE	DOCUMENT NO. SD-74649-003	SHEET NO. 2 OF 2			

THIS DRAWING CONTAINS INFORMATION THAT IS PROPRIETARY TO MOLEX INCORPORATED AND SHOULD NOT BE USED WITHOUT WRITTEN PERMISSION