

NOTES:

1. MATERIAL: HOUSING -LIQUID CRYSTAL POLYMER (LCP) GLASS-FILLED. UL 94-0. COLOR BLACK. SIGNAL & SHIELD -HIGH PERFORMANCE COPPER ALLOY.
2. FINISHES:
CONTACT AREA: SELECTIVE GOLD (Au)
PCB TAILS: SELECTIVE MATTE TIN (Sn)
NICKEL (Ni) OVERALL.
3. THIS PART CONFORMS TO MOLEX PRODUCT SPECIFICATION PS-74031-999.
4. FOR MIXED CONTACT MATING LENGTHS CONSULT MOLEX FOR AVAILABILITY.
5. FOR SPECIFIC PART NUMBER AND MATING INFORMATION REFER TO SHEET 2.
6. PACKAGE PER PK-74061-003.
7. MARK PART NUMBER AND DATE CODE APPROXIMATELY WHERE SHOWN
8. MAPS (MOLEX ADVANCED PLATING SYSTEM).

THE PRIMARY CARTON WITH A LABEL STATING "ELV AND RoHS COMPLIANT" IS LEAD FREE. CARTONS WITHOUT THIS LABEL MAY CONTAIN LEAD.

LEAD FREE CONVERSION EC NO: UCP2013-0687 DRAWINGS: 2012/08/24 CHKD:MWLF 2012/11/26 APPR:SMILLER 2012/12/14 (REV)	QUALITY SYMBOLS	GENERAL TOLERANCES (UNLESS SPECIFIED)	DIMENSION STYLE	SCALE	DESIGN UNITS	THIRD ANGLE PROJECTION
	▽=0	mm INCH	MM ONLY	2.5:1	METRIC	
	▽=0	4 PLACES ± --- ± ---	DRAWN BY DATE	TITLE	DOCUMENT NO.	SHEET NO.
	▽=0	3 PLACES ± --- ± ---	MOWANG 2001/03/22			
▽=0	2 PLACES ± --- ± ---	CHECKED BY DATE	HSD SALES ASSEMBLY 8 ROW SIGNAL END BACKPLANE molex			
	1 PLACE ± --- ± ---	JLAURX 2001/03/27				
	0 PLACE ± ±	APPROVED BY DATE	SD-74650-002			
		CBIXLER 2001/03/27	1 OF 2			
ANGULAR ±1/2°		SEE SHEET 2		THIS DRAWING CONTAINS INFORMATION THAT IS PROPRIETARY TO MOLEX INCORPORATED AND SHOULD NOT BE USED WITHOUT WRITTEN PERMISSION		
DRAFT WHERE APPLICABLE MUST REMAIN WITHIN DIMENSIONS		SIZE C				

M/N 74650-()	-**0*	-**1*	-**2*	-**3*	-**4*	-**5*	-**6*	-**7*	-**8*
KEYING PIN ORIENTATION	0 ○	A ◐	B ◑	C ◒	D 	E 	F 	G 	H

74650-***

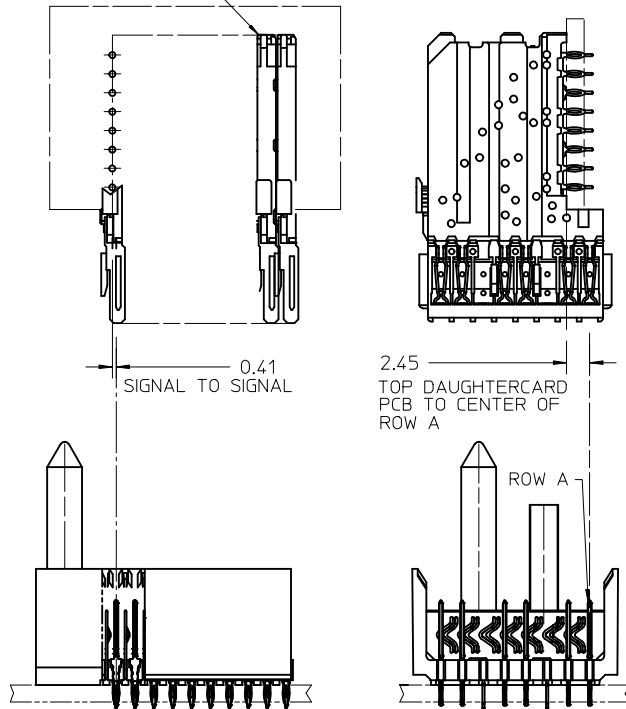
NUMBER OF COLUMNS/
PLATING

- 10=10 COLUMN MATTE TIN (FORMERLY TIN/LEAD)
- 25=25 COLUMN MATTE TIN (FORMERLY TIN/LEAD)
- 60=10 COLUMN MATTE TIN (MAPS)
- 75=25 COLUMN MATTE TIN (MAPS)
- 90=10 COLUMN MATTE TIN
- 85=25 COLUMN MATTE TIN

CONTACT LOAD
(PIN LENGTH)
1 & 6 = 4,75
2 & 7 = 6,25
3 & 8 = 4,25
4 & 9 = 5,15

PART NUMBER	COLUMN	NUMBER OF SIGNAL PIN	NUMBER OF SHIELD	A	B	M	GOLD THICKNESS MICROMETER	TIN THICKNESS MICROMETER	
74650-60*1	10	60	10	27.00	18.00	4.75	0.25 MAPS	0.76-1.52	
74650-*0*1							0.76		
74650-*0*6							1.27		
74650-75*1	25	150	25	57.00	48.00		0.25 MAPS		
74650-*5*1							0.76		
74650-*5*6							1.27		
74650-60*2	10	60	10	27.00	18.00	6.25	0.25 MAPS		
74650-*0*2							0.76		
74650-*0*7							1.27		
74650-75*2	25	150	25	57.00	48.00		4.25		0.25 MAPS
74650-*5*2									0.76
74650-*5*7									1.27
74650-60*3	10	60	10	27.00	18.00	5.15			0.25 MAPS
74650-*0*3									0.76
74650-*0*8									1.27
74650-75*3	25	150	25	57.00	48.00		4.25		0.25 MAPS
74650-*5*3									0.76
74650-*5*8									1.27
74650-60*4	10	60	10	27.00	18.00	6.25		0.25 MAPS	
74650-*0*4								0.76	
74650-*0*9								1.27	
74650-75*4	25	150	25	57.00	48.00		4.25	0.25 MAPS	
74650-*5*4								0.76	
74650-*5*9								1.27	

DAUGHTERCARD CONNECTOR SIDE



SEE SHEET 1 EC NO: UCP2013-0687 TDRWNGES 2012/08/24 CHKD:MOLFE 2012/11/26 APPR:SMILLER 2012/12/14 REV:	QUALITY SYMBOLS	GENERAL TOLERANCES (UNLESS SPECIFIED)	DIMENSION STYLE MM ONLY	SCALE 2.5:1	DESIGN UNITS METRIC	THIRD ANGLE PROJECTION																														
		<table border="1"> <thead> <tr> <th></th> <th>mm</th> <th>INCH</th> </tr> </thead> <tbody> <tr> <td>4 PLACES</td> <td>± ---</td> <td>± ---</td> </tr> <tr> <td>3 PLACES</td> <td>± ---</td> <td>± ---</td> </tr> <tr> <td>2 PLACES</td> <td>± ---</td> <td>± ---</td> </tr> <tr> <td>1 PLACE</td> <td>± ---</td> <td>± ---</td> </tr> <tr> <td>0 PLACE</td> <td>±</td> <td>±</td> </tr> </tbody> </table>		mm	INCH	4 PLACES	± ---	± ---	3 PLACES	± ---	± ---	2 PLACES	± ---	± ---	1 PLACE	± ---	± ---	0 PLACE	±	±	<table border="1"> <thead> <tr> <th>DRAWN BY</th> <th>DATE</th> </tr> </thead> <tbody> <tr> <td>MOWANG</td> <td>2001/03/22</td> </tr> <tr> <th>CHECKED BY</th> <th>DATE</th> </tr> <tr> <td>JLAURX</td> <td>2001/03/27</td> </tr> <tr> <th>APPROVED BY</th> <th>DATE</th> </tr> <tr> <td>CBIXLER</td> <td>2001/03/27</td> </tr> </tbody> </table>	DRAWN BY	DATE	MOWANG	2001/03/22	CHECKED BY	DATE	JLAURX	2001/03/27	APPROVED BY	DATE	CBIXLER	2001/03/27	HSD SALES ASSEMBLY 8 ROW SIGNAL END BACKPLANE 		
		mm	INCH																																	
	4 PLACES	± ---	± ---																																	
3 PLACES	± ---	± ---																																		
2 PLACES	± ---	± ---																																		
1 PLACE	± ---	± ---																																		
0 PLACE	±	±																																		
DRAWN BY	DATE																																			
MOWANG	2001/03/22																																			
CHECKED BY	DATE																																			
JLAURX	2001/03/27																																			
APPROVED BY	DATE																																			
CBIXLER	2001/03/27																																			
ANGULAR ±1/2° DRAFT WHERE APPLICABLE MUST REMAIN WITHIN DIMENSIONS	MATERIAL NO. SEE TABLE	DOCUMENT NO. SD-74650-002	SHEET NO. 2 OF 2																																	