

NOTES:

- MATERIAL: HOUSING -LIQUID CRYSTAL POLYMER (LCP) GLASS-FILLED. UL 94-0. COLOR BLACK. SIGNAL & SHIELD -HIGH PERFORMANCE COPPER ALLOY.
- FINISHES:  
CONTACT AREA: SELECTIVE GOLD (Au)  
PCB TAILS: SELECTIVE MATTE TIN (Sn)  
NICKEL (Ni) OVERALL.
- THIS PART CONFORMS TO MOLEX PRODUCT SPECIFICATION PS-74031-999.
- FOR MIXED CONTACT MATING LENGTHS CONSULT MOLEX FOR AVAILABILITY.
- FOR SPECIFIC PART NUMBER AND MATING INFORMATION REFER TO SHEET 2.
- PACKAGE PER PK-74061-003.
- MARK PART NUMBER AND DATE CODE APPROXIMATELY WHERE SHOWN
- MAPS (MOLEX ADVANCED PLATING SYSTEM).

THE PRIMARY CARTON WITH A LABEL STATING "ELV AND RoHS COMPLIANT" IS LEAD FREE. CARTONS WITHOUT THIS LABEL MAY CONTAIN LEAD.

|  |                      |  |                                   |   |                               |                        |
|--|----------------------|--|-----------------------------------|---|-------------------------------|------------------------|
| <b>LEAD FREE CONVERSION</b><br>EC NO: UCP2013-0687<br>DRAWINGS 2012/08/24<br>CHKD:WOLFE 2012/11/26<br>APPR:SMILLER 2012/12/14<br>(REV) | QUALITY SYMBOLS      | GENERAL TOLERANCES (UNLESS SPECIFIED)                | DIMENSION STYLE<br><b>MM ONLY</b> | SCALE<br><b>2.5:1</b>   | DESIGN UNITS<br><b>METRIC</b> | THIRD ANGLE PROJECTION |
|  | ▽=0                  | mm INCH  | DRAWN BY DATE                     | <b>HSD SALES ASSEMBLY</b><br><b>8 ROW SIGNAL END BACKPLANE</b><br><b>molex</b><br>DOCUMENT NO. <b>SD-74650-002</b><br>SHEET NO. <b>1 OF 2</b> |                               |                        |
|  | ▽=0                  | 4 PLACES ± --- ± ---                                 | MOWANG 2001/03/22                 |   |                               |                        |
|  | ▽=0                  | 3 PLACES ± --- ± ---                                 | CHECKED BY DATE                   |   |                               |                        |
| ▽=0  | 2 PLACES ± --- ± --- | JLAURX 2001/03/27                                    |                                   |   |                               |                        |
|  |                      | 1 PLACE ± --- ± ---                                  | APPROVED BY DATE                  |   |                               |                        |
|  |                      | 0 PLACE ± ±  | CBIXLER 2001/03/27                |   |                               |                        |
|  |                      | ANGULAR ±1/2°  | MATERIAL NO.                      |   |                               |                        |
|  |                      | DRAFT WHERE APPLICABLE MUST REMAIN WITHIN DIMENSIONS | <b>SEE SHEET 2</b>                |   |                               |                        |
|  |                      |  | SIZE                              | THIS DRAWING CONTAINS INFORMATION THAT IS PROPRIETARY TO MOLEX INCORPORATED AND SHOULD NOT BE USED WITHOUT WRITTEN PERMISSION                 |                               |                        |

| M/N<br>74650-( )       | -**0* | -**1* | -**2* | -**3* | -**4* | -**5* | -**6* | -**7* | -**8* |
|------------------------|-------|-------|-------|-------|-------|-------|-------|-------|-------|
| KEYING PIN ORIENTATION | 0     | A     | B     | C     | D     | E     | F     | G     | H     |

74650-\*\*\*

NUMBER OF COLUMNS/  
PLATING

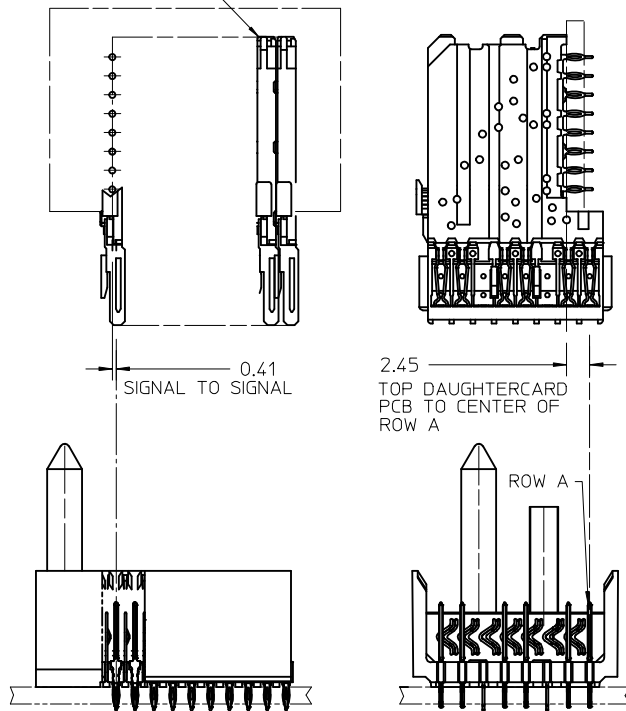
- 10=10 COLUMN MATTE TIN (FORMERLY TIN/LEAD)
- 25=25 COLUMN MATTE TIN (FORMERLY TIN/LEAD)
- 60=10 COLUMN MATTE TIN (MAPS)
- 75=25 COLUMN MATTE TIN (MAPS)
- 90=10 COLUMN MATTE TIN
- 85=25 COLUMN MATTE TIN

CONTACT LOAD  
(PIN LENGTH)

- 1 & 6 = 4,75
- 2 & 7 = 6,25
- 3 & 8 = 4,25
- 4 & 9 = 5,15

| PART NUMBER | COLUMN | NUMBER OF SIGNAL PIN | NUMBER OF SHIELD | A     | B     | M    | GOLD THICKNESS MICROMETER | TIN THICKNESS MICROMETER |
|-------------|--------|----------------------|------------------|-------|-------|------|---------------------------|--------------------------|
| 74650-60*1  | 10     | 60                   | 10               | 27.00 | 18.00 | 4.75 | 0.25 MAPS                 | 0.76-1.52                |
| 74650-*0*1  |        |                      |                  |       |       |      | 0.76                      |                          |
| 74650-*0*6  |        |                      |                  |       |       |      | 1.27                      |                          |
| 74650-75*1  | 25     | 150                  | 25               | 57.00 | 48.00 | 4.75 | 0.25 MAPS                 |                          |
| 74650-*5*1  |        |                      |                  |       |       |      | 0.76                      |                          |
| 74650-*5*6  |        |                      |                  |       |       |      | 1.27                      |                          |
| 74650-60*2  | 10     | 60                   | 10               | 27.00 | 18.00 | 6.25 | 0.25 MAPS                 |                          |
| 74650-*0*2  |        |                      |                  |       |       |      | 0.76                      |                          |
| 74650-*0*7  |        |                      |                  |       |       |      | 1.27                      |                          |
| 74650-75*2  | 25     | 150                  | 25               | 57.00 | 48.00 | 6.25 | 0.25 MAPS                 |                          |
| 74650-*5*2  |        |                      |                  |       |       |      | 0.76                      |                          |
| 74650-*5*7  |        |                      |                  |       |       |      | 1.27                      |                          |
| 74650-60*3  | 10     | 60                   | 10               | 27.00 | 18.00 | 4.25 | 0.25 MAPS                 |                          |
| 74650-*0*3  |        |                      |                  |       |       |      | 0.76                      |                          |
| 74650-*0*8  |        |                      |                  |       |       |      | 1.27                      |                          |
| 74650-75*3  | 25     | 150                  | 25               | 57.00 | 48.00 | 4.25 | 0.25 MAPS                 |                          |
| 74650-*5*3  |        |                      |                  |       |       |      | 0.76                      |                          |
| 74650-*5*8  |        |                      |                  |       |       |      | 1.27                      |                          |
| 74650-60*4  | 10     | 60                   | 10               | 27.00 | 18.00 | 5.15 | 0.25 MAPS                 |                          |
| 74650-*0*4  |        |                      |                  |       |       |      | 0.76                      |                          |
| 74650-*0*9  |        |                      |                  |       |       |      | 1.27                      |                          |
| 74650-75*4  | 25     | 150                  | 25               | 57.00 | 48.00 | 5.15 | 0.25 MAPS                 |                          |
| 74650-*5*4  |        |                      |                  |       |       |      | 0.76                      |                          |
| 74650-*5*9  |        |                      |                  |       |       |      | 1.27                      |                          |

DAUGHTERCARD CONNECTOR SIDE



| <b>SEE SHEET 1</b><br>EC NO: UCP2013-0687<br>TIDRWNGES 2012/08/24<br>CHKD:MOLFE 2012/11/26<br>APPR:SMILLER 2012/12/14<br>REV: | QUALITY SYMBOLS                  | GENERAL TOLERANCES (UNLESS SPECIFIED)   | DIMENSION STYLE<br><b>MM ONLY</b> | SCALE<br><b>2.5:1</b> | DESIGN UNITS<br><b>METRIC</b> | THIRD ANGLE PROJECTION |        |         |          |        |         |          |        |         |         |        |         |         |   |   |   |          |      |        |            |            |      |        |            |             |      |         |            |  |  |  |
|---|----------------------------------|---|-----------------------------------|-----------------------|-------------------------------|------------------------|--------|---------|----------|--------|---------|----------|--------|---------|---------|--------|---------|---------|---|---|---|----------|------|--------|------------|------------|------|--------|------------|-------------|------|---------|------------|--|--|--|
|   |                                  | <table border="1"> <thead> <tr> <th></th> <th>mm</th> <th>INCH</th> </tr> </thead> <tbody> <tr> <td>4 PLACES</td> <td>± .005</td> <td>± .0008</td> </tr> <tr> <td>3 PLACES</td> <td>± .005</td> <td>± .0008</td> </tr> <tr> <td>2 PLACES</td> <td>± .005</td> <td>± .0008</td> </tr> <tr> <td>1 PLACE</td> <td>± .005</td> <td>± .0008</td> </tr> <tr> <td>0 PLACE</td> <td>±</td> <td>±</td> </tr> </tbody> </table> |                                   | mm                    | INCH                          | 4 PLACES               | ± .005 | ± .0008 | 3 PLACES | ± .005 | ± .0008 | 2 PLACES | ± .005 | ± .0008 | 1 PLACE | ± .005 | ± .0008 | 0 PLACE | ± | ± | <table border="1"> <thead> <tr> <th>DRAWN BY</th> <th>DATE</th> </tr> </thead> <tbody> <tr> <td>MOWANG</td> <td>2001/03/22</td> </tr> <tr> <th>CHECKED BY</th> <th>DATE</th> </tr> <tr> <td>JLAURX</td> <td>2001/03/27</td> </tr> <tr> <th>APPROVED BY</th> <th>DATE</th> </tr> <tr> <td>CBIXLER</td> <td>2001/03/27</td> </tr> </tbody> </table> | DRAWN BY | DATE | MOWANG | 2001/03/22 | CHECKED BY | DATE | JLAURX | 2001/03/27 | APPROVED BY | DATE | CBIXLER | 2001/03/27 | <b>HSD SALES ASSEMBLY</b><br><b>8 ROW SIGNAL END</b><br><b>BACKPLANE</b><br> |  |  |
|   |                                  | mm  | INCH                              |                       |                               |                        |        |         |          |        |         |          |        |         |         |        |         |         |   |   |   |          |      |        |            |            |      |        |            |             |      |         |            |  |  |  |
|   | 4 PLACES                         | ± .005  | ± .0008                           |                       |                               |                        |        |         |          |        |         |          |        |         |         |        |         |         |   |   |   |          |      |        |            |            |      |        |            |             |      |         |            |  |  |  |
| 3 PLACES  | ± .005                           | ± .0008   |                                   |                       |                               |                        |        |         |          |        |         |          |        |         |         |        |         |         |   |   |   |          |      |        |            |            |      |        |            |             |      |         |            |  |  |  |
| 2 PLACES  | ± .005                           | ± .0008   |                                   |                       |                               |                        |        |         |          |        |         |          |        |         |         |        |         |         |   |   |   |          |      |        |            |            |      |        |            |             |      |         |            |  |  |  |
| 1 PLACE   | ± .005                           | ± .0008   |                                   |                       |                               |                        |        |         |          |        |         |          |        |         |         |        |         |         |   |   |   |          |      |        |            |            |      |        |            |             |      |         |            |  |  |  |
| 0 PLACE   | ±                                | ±   |                                   |                       |                               |                        |        |         |          |        |         |          |        |         |         |        |         |         |   |   |   |          |      |        |            |            |      |        |            |             |      |         |            |  |  |  |
| DRAWN BY  | DATE                             |   |                                   |                       |                               |                        |        |         |          |        |         |          |        |         |         |        |         |         |   |   |   |          |      |        |            |            |      |        |            |             |      |         |            |  |  |  |
| MOWANG  | 2001/03/22                       |   |                                   |                       |                               |                        |        |         |          |        |         |          |        |         |         |        |         |         |   |   |   |          |      |        |            |            |      |        |            |             |      |         |            |  |  |  |
| CHECKED BY  | DATE                             |   |                                   |                       |                               |                        |        |         |          |        |         |          |        |         |         |        |         |         |   |   |   |          |      |        |            |            |      |        |            |             |      |         |            |  |  |  |
| JLAURX  | 2001/03/27                       |   |                                   |                       |                               |                        |        |         |          |        |         |          |        |         |         |        |         |         |   |   |   |          |      |        |            |            |      |        |            |             |      |         |            |  |  |  |
| APPROVED BY   | DATE                             |   |                                   |                       |                               |                        |        |         |          |        |         |          |        |         |         |        |         |         |   |   |   |          |      |        |            |            |      |        |            |             |      |         |            |  |  |  |
| CBIXLER   | 2001/03/27                       |   |                                   |                       |                               |                        |        |         |          |        |         |          |        |         |         |        |         |         |   |   |   |          |      |        |            |            |      |        |            |             |      |         |            |  |  |  |
| ANGULAR ±1/2°<br>DRAFT WHERE APPLICABLE<br>MUST REMAIN<br>WITHIN DIMENSIONS   | MATERIAL NO.<br><b>SEE TABLE</b> | DOCUMENT NO.<br><b>SD-74650-002</b>   | SHEET NO.<br><b>2 OF 2</b>        |                       |                               |                        |        |         |          |        |         |          |        |         |         |        |         |         |   |   |   |          |      |        |            |            |      |        |            |             |      |         |            |  |  |  |