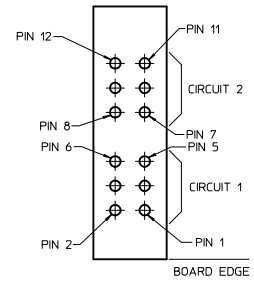
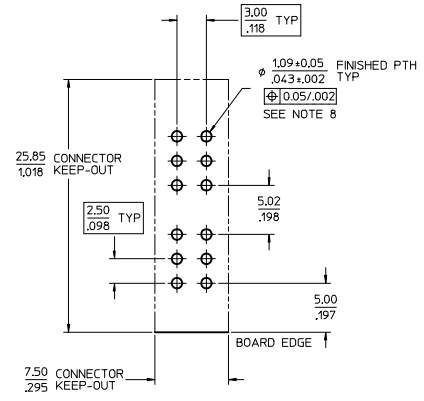
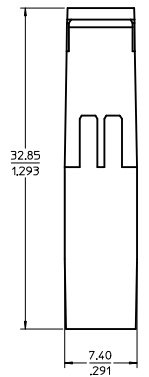


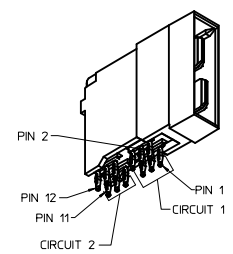
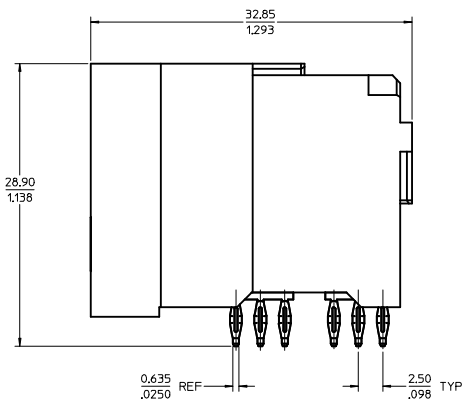
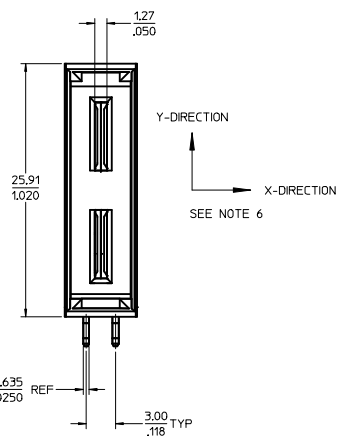
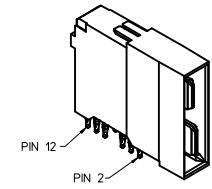
PART NUMBER	TAIL PLATING	PLATING
75561-6000	TIN	0.75µm/30µm MIN SELECT HARD GOLD IN CONTACT AREA WITH 2.50µm/100µm MIN SELECT TIN IN TAIL AREA OVER 1.25µm/50µm MIN NICKEL OVERALL



PINOUT DETAIL

PCB LAYOUT  
3.18/.125 MIN THICK

- NOTES:
- MATERIALS:
    - HOUSING: 30% GLASS FILLED, LCP 94V-0, COLOR: BLACK
    - TERMINALS: COPPER ALLOY
    - PLATING: PER ES-88 - SEE CHART
  - SEE CHART FOR REFERENCE DOCUMENTS
  - PLUG MATES WITH RECEPTACLE ASSEMBLIES: 75545-5000 & 75545-5001
  - MODULE IS DESIGNED FOR PRESS FIT TO THE PCB
  - MODULE ASSEMBLY IS RoHS COMPLIANT
  - GATHERABILITY: ±0.65/.026 X-DIRECTION ±130/.051 Y-DIRECTION
  - THIS PART CONFORMS TO CLASS B REQUIREMENTS OF COSMETIC SPEC PS-45499-002
  - PLATED THRU HOLE (PTH) DIMENSIONS:
    - Ø1.09±0.05/Ø43±.002 FINISHED PTH (TYP)
    - Ø1.200±0.013/Ø472±.0005 DRILL
    - 0.025/.001 COPPER PLATE THICKNESS



REFERENCE DOCUMENTS	
PS-75431-999	PRODUCT SPECIFICATION: PERFORMANCE AND RATINGS
SD-75555-***	FINAL ASSEMBLY CONFIGURATION DRAWING

CORRECTED HSG GRAPHICS IEC NO: UCP2014-2193 DRAWN: DUILLES 2013/11/18 CHKD: BANDURA 2013/11/19 APPR: APATEL 2013/12/10	QUALITY SYMBOLS	GENERAL TOLERANCES (UNLESS SPECIFIED)	DIMENSION STYLE	SCALE	DESIGN UNITS	THIRD ANGLE PROJECTION
	∇=0 ∇=0 ∇=0	mm INCH 4 PLACES ±.--- ±.--- 3 PLACES ±.--- ±.008 2 PLACES ±0.20 ±.013 1 PLACE ±0.33 ±.--- 0 PLACE ± ±	MM/IN	4:1	METRIC	
		ANGULAR ±1/2°	DRAWN BY	DATE	TITLE	
		DRAFT WHERE APPLICABLE MUST REMAIN WITHIN DIMENSIONS	BANDURA	2007/01/16	POWERMASS 80 AMP MODULE, PLUG	
		CHECKED BY	DATE			
		MDATA	2007/01/16			
		APPROVED BY	DATE			
		APATEL				
		MATERIAL NO.	SEE CHART	DOCUMENT NO.	SD-75561-200	
		SIZE	D	THIS DRAWING CONTAINS INFORMATION THAT IS PROPRIETARY TO MOLEX INCORPORATED AND SHOULD NOT BE USED WITHOUT WRITTEN PERMISSION		SHEET NO. 1 OF 1