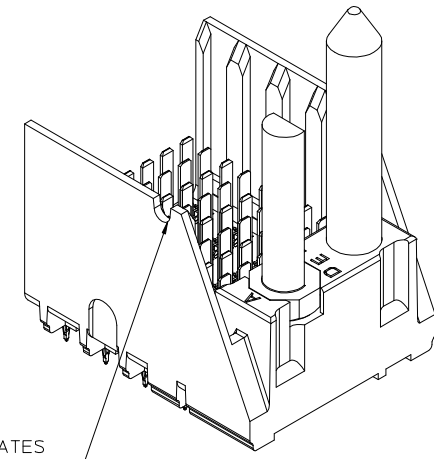
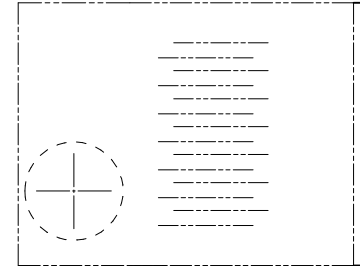
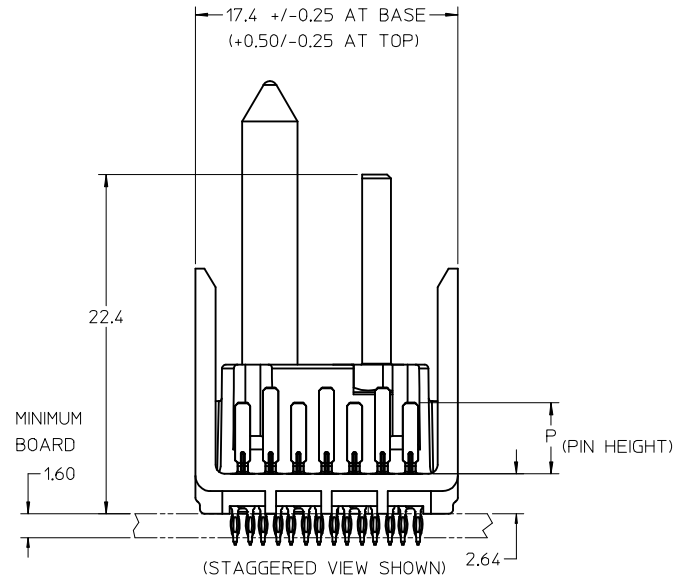
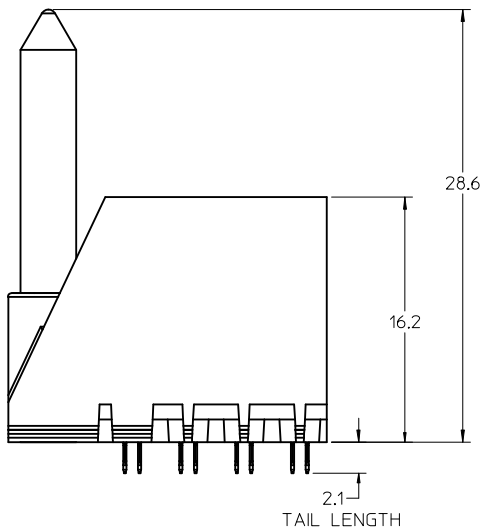


KEY SHOWN IN POSITION "E"



NOTCH DESIGNATES ROW A

<b>LEADFREE CONVERT.</b> EC NO: UCP2013-1898 DRWN:MP0FF 2012/11/12 CHKD:MMWLF 2012/11/12 APPR:SMILLER 2012/12/21	QUALITY SYMBOLS ▽=0 ▽=0 ▽=0	GENERAL TOLERANCES (UNLESS SPECIFIED)		DIMENSION STYLE <b>MM ONLY</b>		SCALE <b>4:1</b>	DESIGN UNITS <b>METRIC</b>	THIRD ANGLE PROJECTION		
		4 PLACES ± --- ± ---	mm	INCH	DRAWN BY	DATE	<b>I-TRAC BACKPLANE 7 ROW GUIDE LEFT ASSEMBLY SALES DRAWING</b> <b>molex</b>			
		3 PLACES ± --- ± ---			BPI SZCZOR	3/28/06				
		2 PLACES ± 0.13 ± ---			CHECKED BY	DATE	DOCUMENT NO. <b>SD-76015-002</b> SHEET NO. <b>1 OF 4</b>			
1 PLACE ± 0.25 ± ---			JLAURX	2007/02/06						
0 PLACE ± ±			APPROVED BY	DATE	THIS DRAWING CONTAINS INFORMATION THAT IS PROPRIETARY TO MOLEX INCORPORATED AND SHOULD NOT BE USED WITHOUT WRITTEN PERMISSION					
				CBIXLER					2007/02/06	
		ANGULAR ±1/2°		MATERIAL NO.						
		DRAFT WHERE APPLICABLE MUST REMAIN WITHIN DIMENSIONS		SIZE <b>SEE TABLE</b>						