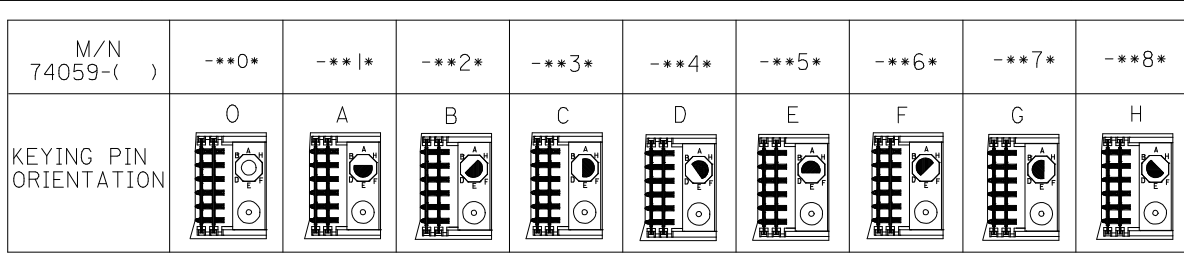


NOTES:

1. MATERIALS:  
HOUSING - LIQUID CRYSTAL POLYMER (LCP),  
GLASS-FILLED, UL 94V-0, COLOR: BLACK  
SIGNAL PIN & SHIELD - COPPER ALLOY
2. FINISHES:  
CONTACT AREA: SELECTIVE GOLD (Au)  
PCB TAILS: SELECTIVE MATTE TIN (Sn)  
NICKEL (Ni) OVERALL.
3. THIS PART CONFORMS TO MOLEX PRODUCT  
SPECIFICATION PS-74031-999
4. FOR MIXED CONTACT LENGTHS CONSULT  
MOLEX FOR AVAILABILITY
5. FOR SPECIFIC MATERIAL NUMBERS & MATING  
INFORMATION REFER TO SHEET 2 AND 3
6. PACKAGE PER PK-74058-003
7. MARK PART WITH PART NUMBER & DATE  
CODE APPROXIMATELY WHERE SHOWN
8. MAPS (MOLEX ADVANCED PLATING SYSTEM).

THE PRIMARY CARTON WITH A LABEL STATING  
"ELV AND RoHS COMPLAINT" IS LEAD FREE.  
CARTONS WITHOUT THIS LABEL MAY CONTAIN LEAD.

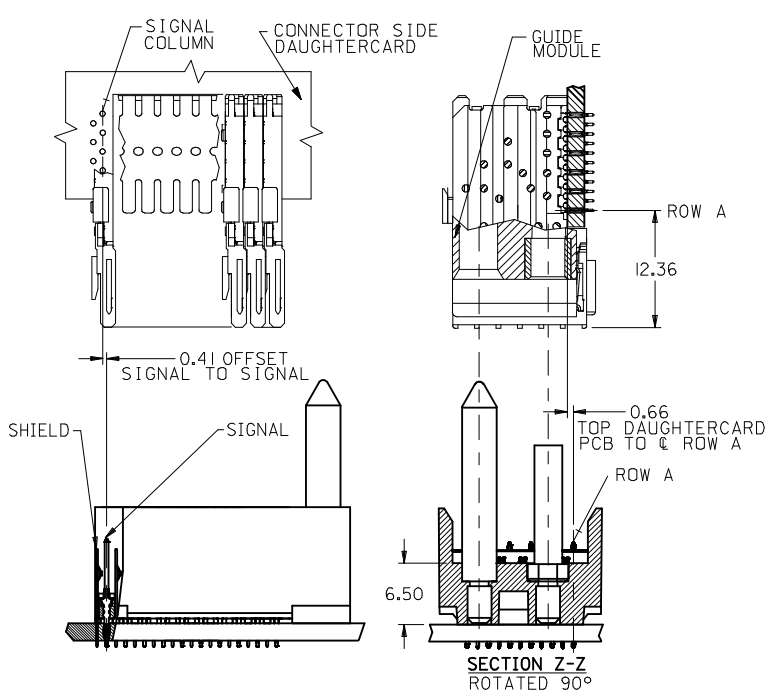
<b>LEAD FREE CONVERSION</b> EC NO: UCP2013-0687 2012/08/21 DRAWINGS CHKD:MMOLFE APPR:SMILLER 2012/11/24 2012/12/14	QUALITY SYMBOLS ▽=0 ▽=0 ▽=0	GENERAL TOLERANCES (UNLESS SPECIFIED)		DIMENSION STYLE <b>MM ONLY</b>	SCALE <b>2.5:1</b>	DESIGN UNITS <b>METRIC</b>	THIRD ANGLE PROJECTION		
		4 PLACES ± --- ± ---	3 PLACES ± --- ± ---	2 PLACES ± 0.10 ± ---	1 PLACE ± 0.25 ± ---	0 PLACE ± ±	DRAWN BY JMELTON 2010/05/20		
		ANGULAR ±1/2°		DRAFT WHERE APPLICABLE MUST REMAIN WITHIN DIMENSIONS		CHECKED BY SDANNELLEY 2010/05/20		APPROVED BY SMILLER 2010/07/14	
		MATERIAL NO. <b>SEE SHT 2</b>		DOCUMENT NO. <b>SD-74059-002</b>		SHEET NO. <b>1 OF 2</b>		TITLE <b>VHDM 6 ROW SHIELD END BACKPLANE SALES DRAWING</b>	
THIS DRAWING CONTAINS INFORMATION THAT IS PROPRIETARY TO MOLEX INCORPORATED AND SHOULD NOT BE USED WITHOUT WRITTEN PERMISSION									



74059 - \* \* \* \*

NUMBER OF COLUMNS/PLATING  
 10 = 10 COLUMN MATTE TIN (FORMERLY TIN/LEAD)  
 21 = 11 COLUMN MATTE TIN (FORMERLY TIN/LEAD)  
 25 = 25 COLUMN MATTE TIN (FORMERLY TIN/LEAD)  
 60 = 10 COLUMN MATTE TIN (MAPS)  
 71 = 11 COLUMN MATTE TIN (MAPS)  
 75 = 25 COLUMN MATTE TIN (MAPS)  
 90 = 10 COLUMN MATTE TIN  
 81 = 11 COLUMN MATTE TIN  
 85 = 25 COLUMN MATTE TIN

CONTACT LOAD (PIN HEIGHT)  
 1 & 6 = 4.75  
 2 & 7 = 6.25  
 3 & 8 = 4.25  
 4 & 9 = 5.15



PART NUMBER	COLUMN	NUMBER OF SIGNAL PIN	NUMBER OF SHIELD	A	B	M	GOLD THICKNESS MICROMETER	TIN THICKNESS MICROMETER	
74059-60*1							0.25 MAPS		
74059-*0*1	10	60	10	27.00	18.00	4.75	0.76	0.76-152	
74059-*0*6							1.27		
74059-*5*1	25	150	25	57.00	48.00		0.25 MAPS		
74059-*5*6							0.76		
74059-60*2	10	60	10	27.00	18.00	6.25	1.27		
74059-*0*2									0.25 MAPS
74059-*0*7	25	150	25	57.00	48.00		0.76		
74059-*5*2	10	60	10	27.00	18.00	4.25	1.27		
74059-*5*2									0.25 MAPS
74059-*5*7	25	150	25	57.00	48.00		0.76		
74059-60*3	10	60	10	27.00	18.00	5.15	1.27		
74059-*0*3								0.25 MAPS	
74059-*0*8	25	150	25	57.00	48.00		0.25 MAPS		
74059-*5*3	10	60	10	27.00	18.00	4.75	0.76		
74059-*5*3								1.27	
74059-*5*8	25	150	25	57.00	48.00		0.76		
74059-60*4	10	60	10	27.00	18.00	6.25	1.27		
74059-*0*4								0.25 MAPS	
74059-*0*9	25	150	25	57.00	48.00		0.76		
74059-75*4	10	60	10	27.00	18.00	5.15	1.27		
74059-*5*4								0.25 MAPS	
74059-*5*9	25	150	25	57.00	48.00		0.76		

PART NUMBER	COLUMN	NUMBER OF SIGNAL PIN	NUMBER OF SHIELD	A	B	M	GOLD THICKNESS MICROMETER	TIN THICKNESS MICROMETER	
74059-71*1							0.25 MAPS		
74059-*1*1	11	66	11	29.00	20.00	4.75	0.76	0.76-152	
74059-*1*6									1.27
74059-71*2	11	66	11	29.00	20.00		0.25 MAPS		
74059-*1*2	11	66	11	29.00	20.00	6.25	0.76		
74059-*1*7									1.27
74059-71*3	11	66	11	29.00	20.00		0.25 MAPS		
74059-*1*3	11	66	11	29.00	20.00	4.25	0.76		
74059-*1*8									1.27
74059-71*4	11	66	11	29.00	20.00		0.25 MAPS		
74059-*1*4	11	66	11	29.00	20.00	5.15	0.76		
74059-*1*9								1.27	

SEE SHEET 1 EC NO: UCP2013-0687 DRWNGES 2012/08/21 CHKD:MMWLF 2012/11/21 APPR:SMILLER 2012/12/14 REVISIONS	QUALITY SYMBOLS	GENERAL TOLERANCES (UNLESS SPECIFIED)	DIMENSION STYLE MM ONLY	SCALE 2.5:1	DESIGN UNITS METRIC	THIRD ANGLE PROJECTION
	▽=0	4 PLACES ±	mm INCH	TITLE		
	▽=0	3 PLACES ±		DRAWN BY DATE JMELTON 2010/05/20		
	▽=0	2 PLACES ±0.10		CHECKED BY DATE SDANNELLEY 2010/05/20		
	1 PLACE ±0.25		APPROVED BY DATE SMILLER 2010/07/14			
	0 PLACE ±		MATERIAL NO. DOCUMENT NO.			
ANGULAR ±1/2°		DRAFT WHERE APPLICABLE MUST REMAIN WITHIN DIMENSIONS		SEE TABLE		SD-74059-002
			THIS DRAWING CONTAINS INFORMATION THAT IS PROPRIETARY TO MOLEX INCORPORATED AND SHOULD NOT BE USED WITHOUT WRITTEN PERMISSION		SHEET NO. 2 OF 2	