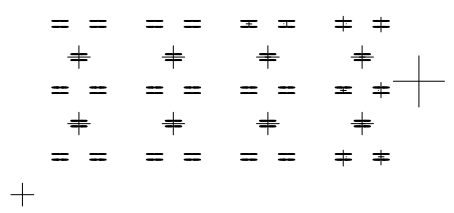
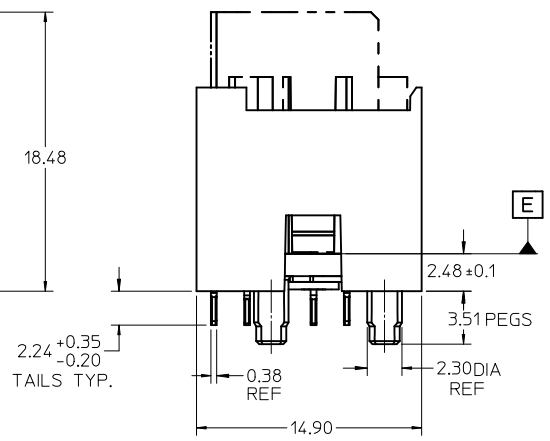
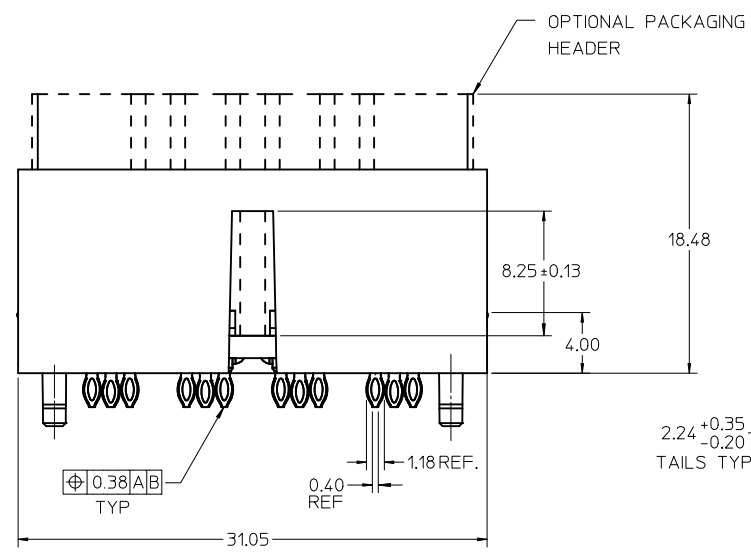


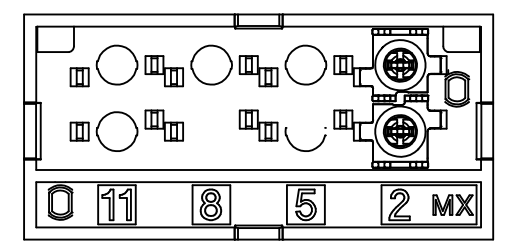
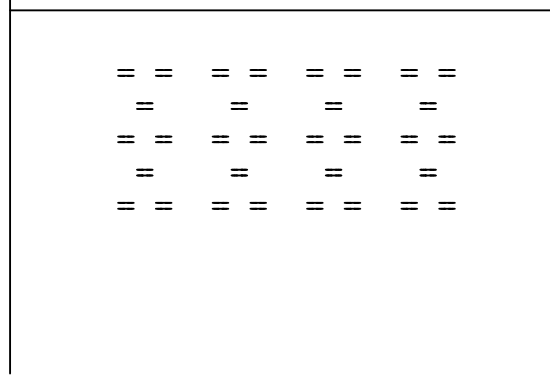
MATERIAL NO.	POSITION OF LOADED TERMINAL(S)	PACKAGING SPEC.
74712-4001	2, 5, 8, 11	PK-74712-001
74712-4002	2	
74712-4003	2, 5, 8, 11	PK-74712-002

NOTES:

1. MATERIAL:  
 HOUSING: GLASS FILLED THERMO PLASTIC, 94V-0  
 INSULATOR: GLASS FILLED THERMO PLASTIC, 94V-0  
 PACKAGING HEADER: GLASS FILLED THERMO PLASTIC, 94V-0  
 TERMINALS AND GROUND: TIN BRASS  
 OUTER GROUND CONTACT: PHOSPHOR BRONZE
2. PLATING:  
 TERMINALS:  
 SELECTIVE 0.76 MICRONS MIN. GOLD IN CONTACT AREA  
 SELECTIVE 0.88 MICRONS MIN. TIN BOTH OVER  
 1.27 MICRONS MIN. NICKEL UNDERPLATE  
 GROUNDS:  
 0.88 MICRONS MIN. TIN OVERALL OVER  
 1.27 MICRONS MIN. NICKEL UNDERPLATE  
 OUTER GROUND CONTACT:  
 0.76 MICRONS MIN. GOLD OVERALL OVER  
 1.27 MICRONS MIN. NICKEL UNDERPLATE
3. REFER TO PRODUCT SPEC.: PS-74854-001 FOR ELECTRICAL, MECHANICAL AND ENVIRONMENTAL REQUIREMENTS.
4. REFER TO PACKAGING SPEC STATED IN CHARTS FOR DETAILS OF THE PACKAGING REQUIREMENTS.
5. DATE CODE MARKING TO BE LOCATED ANYWHERE ON PLASTIC HOUSING. FIRST TWO DIGITS = WEEK NUMBER. LAST TWO DIGITS = YEAR.



CONTACT LOADING OPTIONS FOR 8 POS CONNECTORS



MAT'L NO. 74712-4002  
 POSITION 2 LOADED

8 POS. CONNECTOR SHOWN

DIM. CORRECTION (Z-Z-C-C)