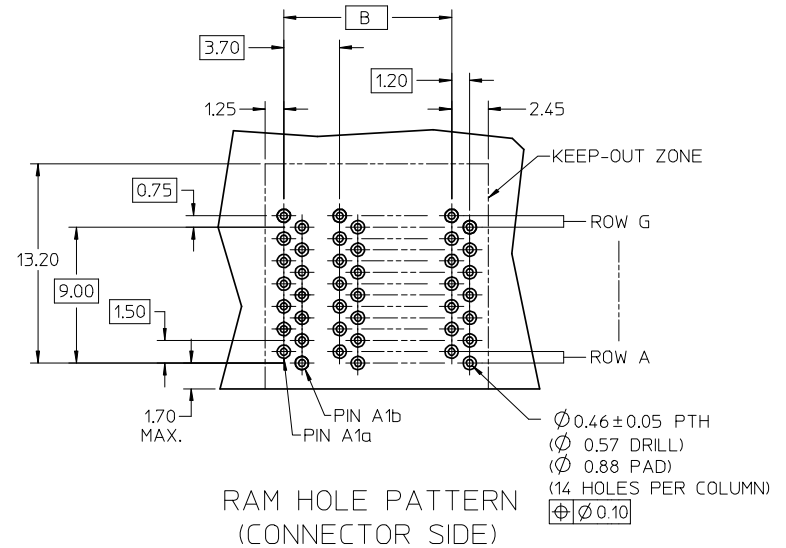
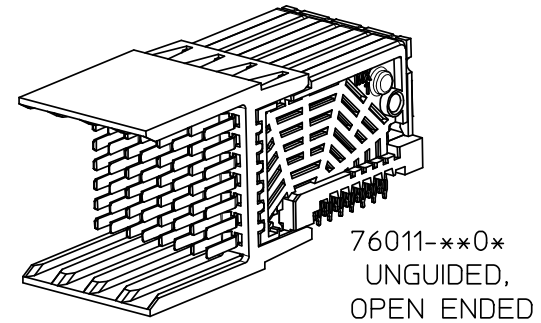
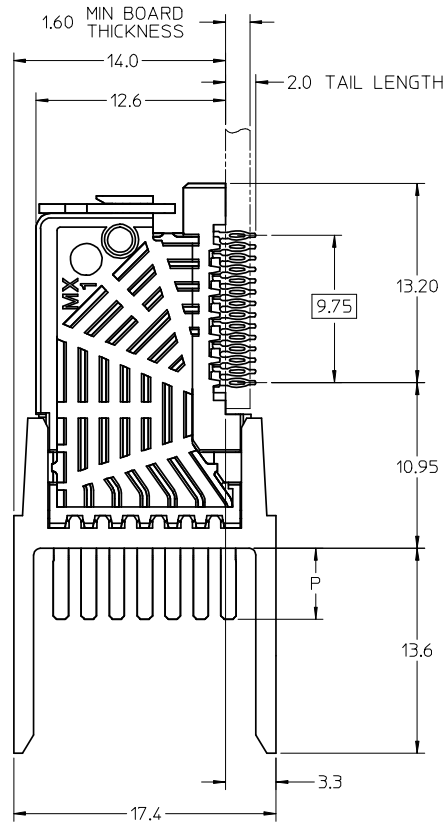
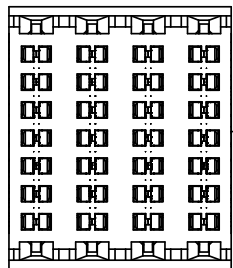
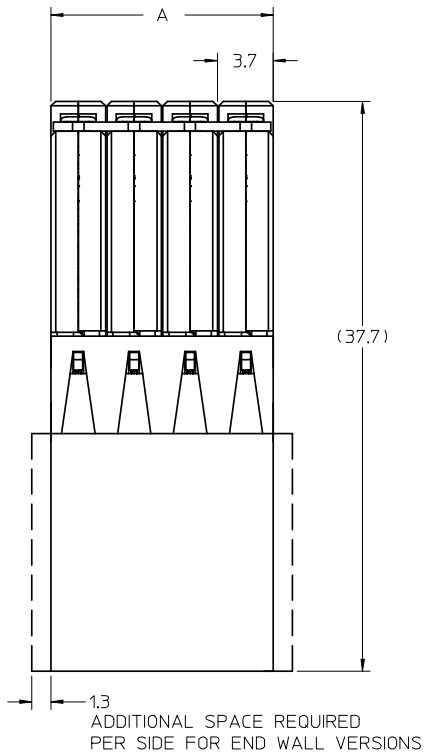


PART NUMBER	# OF COLUMNS	DIM "A" MAX	DIM "B"
76011 - *6**	6	22.20	18.50
76011 - *1**	10	37.00	33.30



NOTES:

1. MATERIALS: HOUSING - LIQUID CRYSTAL POLYMER (LCP), BLACK, UL 94V-0
TERMINALS - HIGH PERFORMANCE COPPER ALLOY
2. FINISH: SELECTIVE 30 μ * GOLD IN CONTACT AREA WITH LUBE.
SELECTIVE TIN/LEAD (-0***) OR SELECTIVE TIN (-1***)
ON PCB TAILS, NICKEL UNDERPLATE OVERALL.
3. MOLEX PRODUCT SPECIFICATION: PS-75710-999.
4. THIS PART CONFORMS TO CLASS B REQUIREMENTS OF COSMETIC SPEC PS-45499-002.
5. PACKAGED PER PK-70873-588.

CLARIFY ST GRD EC NO: UCP2008-2982 DRAWN: C STEWART 2008/06/11 CHKD: TELO 2008/06/11 APPR: J BINGHAM 2008/06/11	QUALITY SYMBOLS ▽=0 ▽=0	GENERAL TOLERANCES (UNLESS SPECIFIED)		DIMENSION STYLE MM ONLY		SCALE 4:1	DESIGN UNITS METRIC	THIRD ANGLE PROJECTION	
		4 PLACES ± ---	± ---	DRAWN BY ELO	DATE 2006/11/13	TITLE I-TRAC 7-ROW RIGHT ANGLE MALE OPEN ASSEMBLY			
D	DESCRIPTION	3 PLACES ± ---	± ---	CHECKED BY ELO	DATE 2007/02/02	molex MOLEX INCORPORATED DOCUMENT NO. SD-76011-001			
		2 PLACES ± 0.25	± ---	APPROVED BY CBIXLER	DATE 2007/02/02				
		1 PLACE ± 0.13	± ---	MATERIAL NO. SEE CHART		THIS DRAWING CONTAINS INFORMATION THAT IS PROPRIETARY TO MOLEX INCORPORATED AND SHOULD NOT BE USED WITHOUT WRITTEN PERMISSION			
		ANGULAR ± ---°		DRAFT WHERE APPLICABLE MUST REMAIN WITHIN DIMENSIONS					

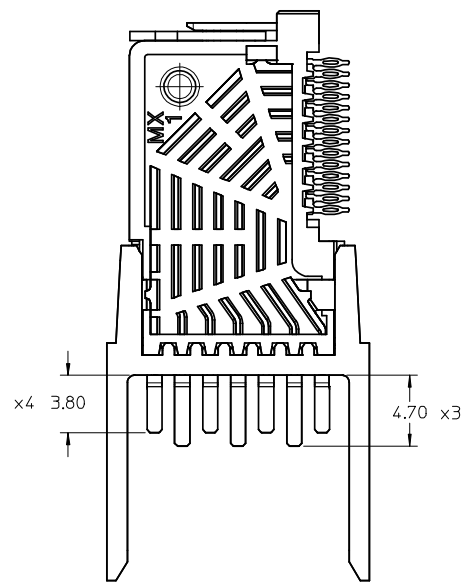
7 6 0 1 1 - * * * *

MODULE TYPE -- TAIL PLATING TYPE
 0 = UNGUIDED - TIN/LEAD
 1 = UNGUIDED - TIN ONLY

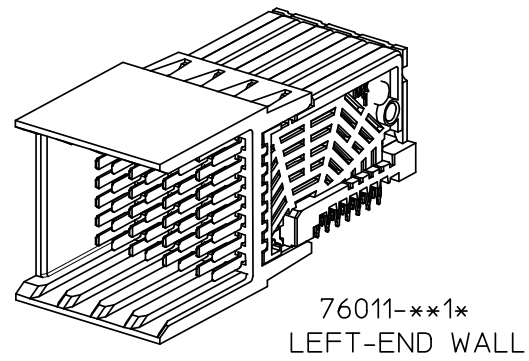
OF COLUMNS
 6 = 6 COL
 1 = 10 COL

ORIENTATION
 GUIDE POST
 0 = OPEN ENDED
 1 = LEFT-END WALL
 2 = RIGHT-END WALL
 3 = DUAL-END WALL

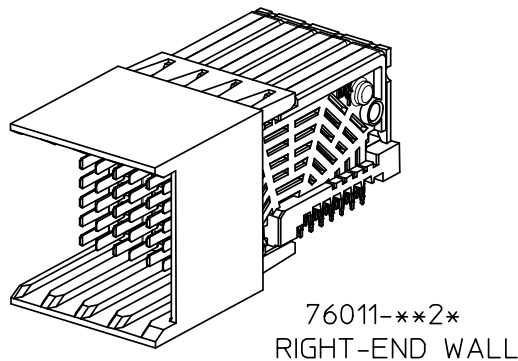
PIN LENGTH (P)
 3 = 4.70
 5 = 3.80, 4.70 STAGGERED



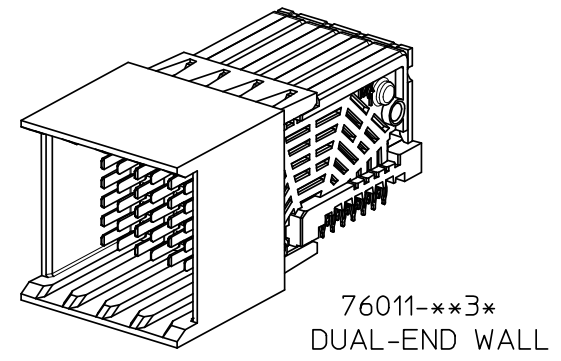
STAGGERED PIN OPTION
(76011-***5)



76011-**-**1*
LEFT-END WALL



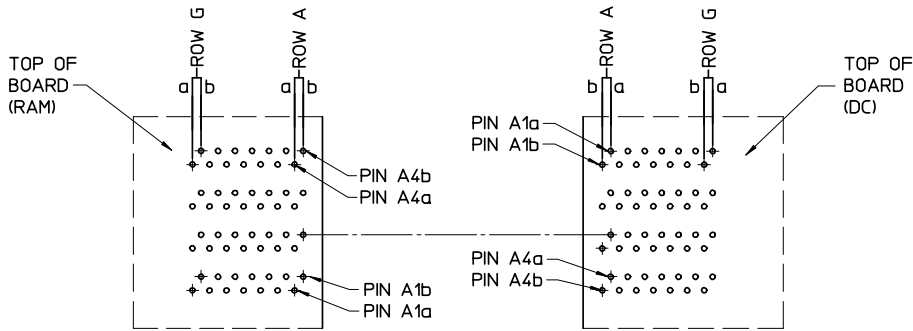
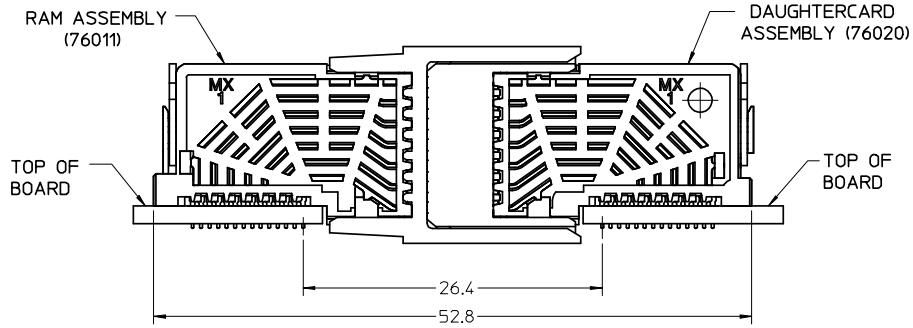
76011-**-**2*
RIGHT-END WALL



76011-**-**3*
DUAL-END WALL

REM OPT 76011-***6 EC NO: UCP2008-2982 DRW: C STEWART 2008/06/11 CHKD: TELO 2008/06/11 APPR: J B INGHAM 2008/06/11	QUALITY SYMBOLS ▽=0 ▽=0	GENERAL TOLERANCES (UNLESS SPECIFIED)		DIMENSION STYLE MM ONLY	SCALE 4:1	DESIGN UNITS METRIC	THIRD ANGLE PROJECTION		
		4 PLACES ± --- ± --- 3 PLACES ± --- ± --- 2 PLACES ± 0.25 ± --- 1 PLACE ± 0.13 ± ---	mm INCH	DRAWN BY ELO DATE 2006/11/13	CHECKED BY ELO DATE 2007/02/02	TITLE I-TRAC 7-ROW RIGHT ANGLE MALE OPEN ASSEMBLY			
		ANGULAR ± --- °		APPROVED BY CBIXLER DATE 2007/02/02	MOLEX INCORPORATED				
		DRAFT WHERE APPLICABLE MUST REMAIN WITHIN DIMENSIONS		MATERIAL NO. SEE CHART	DOCUMENT NO. SD-76011-001	SHEET NO. 2 OF 3			

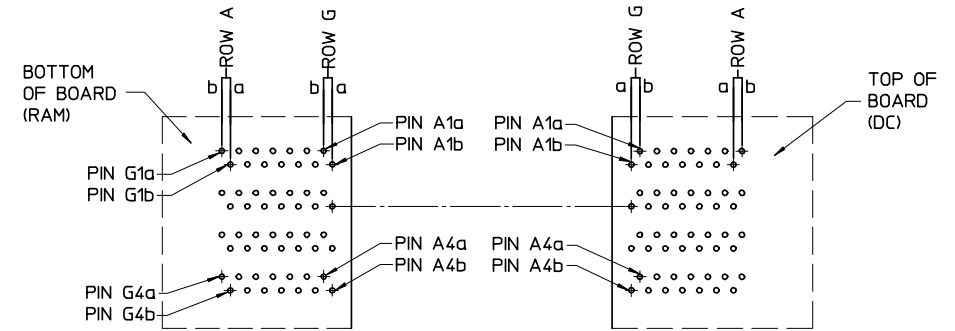
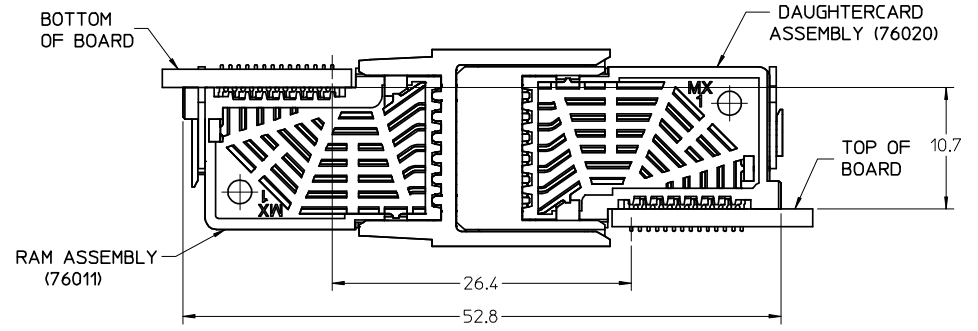
COPLANAR APPLICATION



COPLANAR MATED SIGNAL PATHS

RAM PIN A4b	DC PIN A1a
RAM PIN A4a	DC PIN A1b
RAM PIN A1b	DC PIN A4a
RAM PIN A1a	DC PIN A4b

INVERTED APPLICATION



INVERTED MATED SIGNAL PATHS

RAM PIN G1a	DC PIN A1a
RAM PIN G1b	DC PIN A1b
RAM PIN G4a	DC PIN A4a
RAM PIN G4b	DC PIN A4b

SEE SHEET 1 EC NO: UCP2008-2982 DRWNC:STEWART 2008/06/11 CHKD:TELO 2008/06/11 APPR:JBINGHAM 2008/06/11	QUALITY SYMBOLS ▽=0 ▽=0	GENERAL TOLERANCES (UNLESS SPECIFIED) <table border="1"> <tr> <th></th> <th>mm</th> <th>INCH</th> </tr> <tr> <td>4 PLACES</td> <td>± ---</td> <td>± ---</td> </tr> <tr> <td>3 PLACES</td> <td>± ---</td> <td>± ---</td> </tr> <tr> <td>2 PLACES</td> <td>± 0.25</td> <td>± ---</td> </tr> <tr> <td>1 PLACE</td> <td>± 0.13</td> <td>± ---</td> </tr> <tr> <td colspan="3">ANGULAR ± ---°</td> </tr> </table>		mm	INCH	4 PLACES	± ---	± ---	3 PLACES	± ---	± ---	2 PLACES	± 0.25	± ---	1 PLACE	± 0.13	± ---	ANGULAR ± ---°			DIMENSION STYLE MM ONLY DRAWN BY DATE ELO 2006/11/13 CHECKED BY DATE ELO 2007/02/02 APPROVED BY DATE CB1XLER 2007/02/02	SCALE 4:1 DESIGN UNITS METRIC THIRD ANGLE PROJECTION	TITLE I-TRAC 7-ROW RIGHT ANGLE MALE OPEN ASSEMBLY
		mm	INCH																				
	4 PLACES	± ---	± ---																				
	3 PLACES	± ---	± ---																				
2 PLACES	± 0.25	± ---																					
1 PLACE	± 0.13	± ---																					
ANGULAR ± ---°																							
DRAFT WHERE APPLICABLE MUST REMAIN WITHIN DIMENSIONS	SEE SHEET 2 SIZE C	MATERIAL NO. DOCUMENT NO. MOLEX INCORPORATED	SHEET NO. 3 OF 3																				
THIS DRAWING CONTAINS INFORMATION THAT IS PROPRIETARY TO MOLEX INCORPORATED AND SHOULD NOT BE USED WITHOUT WRITTEN PERMISSION																							
SD-76011-001																							