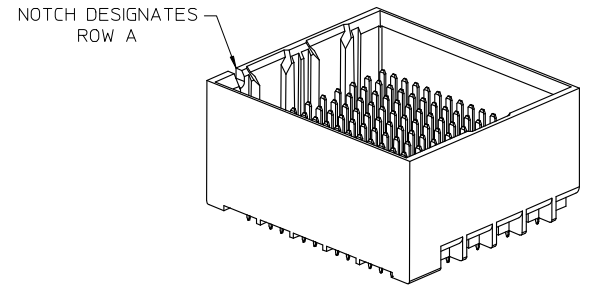
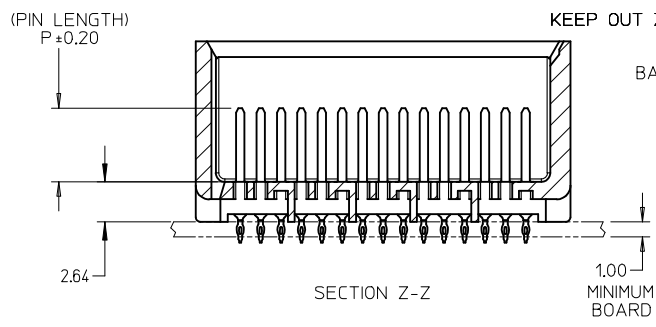
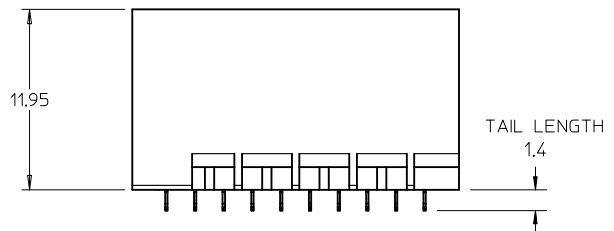


ROW A
ROW B
ROW C
ROW D
ROW E
ROW F
ROW G
ROW H
ROW J
ROW K
ROW L
ROW M
ROW N
ROW O
ROW P

SEE PART NUMBER CHART AND PART NUMBER LOGIC (15 HOLES PER COLUMN)



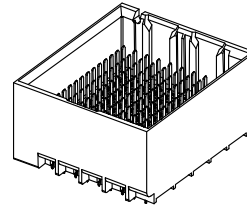
Pd-Ni
PLATING

- NOTES:
1. MATERIALS: HOUSING - LIQUID CRYSTAL POLYMER (LCP) GLASS-FILLED, UL94V-0
TERMINALS - HIGH PERFORMANCE COPPER ALLOY
 2. FINISH: 5 MICROINCH MINIMUM GOLD FLASH OVER 20 MICROINCH MINIMUM Pd-Ni IN CONTACT AREA. SELECTIVE TIN ON PCB TAILS. NICKEL OVERALL.
 3. REFER TO MOLEX PRODUCT SPECIFICATION PS-76060-999 FOR PERFORMANCE SPECIFICATIONS AND ADDITIONAL PCB INFORMATION.
 4. THIS PART CONFORMS TO CLASS B REQUIREMENTS OF MOLEX COSMETIC SPEC PS-45499-002.
 5. PARTS PACKAGED PER PK-70873-7702.
 6. SEE SHEETS 2 & 3 FOR PART NUMBERS AND BOARD RELATIONSHIPS.
 7. MATES WITH IMPACT DC SERIES NO. 76060.
 8. REFER TO MOLEX PCB ROUTING GUIDE AS-76060-990 FOR ANTIPAD AND ROUTING RECOMMENDATIONS.
 9. *THESE DIMENSIONS REPRESENT THE AREA NEEDED TO ACCOMMODATE CONNECTOR INSERTION AND REPAIR ON THE PC BOARD. THIS IS REFERRED TO AS THE "CONNECTOR KEEP OUT ZONE" AND DOES NOT REPRESENT THE ACTUAL PERIMETER OF THE CONNECTOR. WHEN LAYING OUT A PC BOARD FOR CONNECTORS STACKED TOGETHER, USE THE 1.9mm PROGRESSION.*

INITIAL RELEASE EC NO: UCP2016-2332 DRWNSVANG01 2015/12/09 CHKD:MWOLFE 2015/12/09 APPR:SMILLER 2015/12/17	QUALITY SYMBOLS ▽=0 ▽=0 ▽=0	GENERAL TOLERANCES (UNLESS SPECIFIED)		DIMENSION STYLE MM ONLY		SCALE 4:1	DESIGN UNITS METRIC	THIRD ANGLE PROJECTION		
		4 PLACES ± --- ± ---	mm	INCH	DRAWN BY SVANG01	DATE 2015/12/09	IMPACT 5 PAIR HEADER UNGUIDED PDNI ASSEMBLY SALES DRAWING molex			
		3 PLACES ± --- ± ---			CHECKED BY MWOLFE	DATE 2015/12/09				
		2 PLACES ± 0.13 ± ---			APPROVED BY SMILLER	DATE 2015/12/17	DOCUMENT NO. RSD-173430-001			
		1 PLACE ± 0.25 ± ---								
0 PLACE ± ±					SHEET NO. 1 OF 3					
DRAFT WHERE APPLICABLE MUST REMAIN WITHIN DIMENSIONS		ANGULAR ±1/2°		SEE TABLE		THIS DRAWING CONTAINS INFORMATION THAT IS PROPRIETARY TO MOLEX INCORPORATED AND SHOULD NOT BE USED WITHOUT WRITTEN PERMISSION				

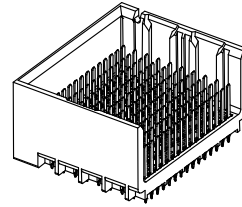
PART NUMBER TABLE

MATERIAL NUMBER	# OF COLUMNS	# OF DIFF PAIR	DIM "A"	DIM "B"	DUAL END WALL OPTION
173430-*12*	10	50	21.7	17.10	
173430-*22*	12	60	25.5	20.90	
173430-*72*	14	70	29.3	24.70	
173430-*62*	16	80	33.1	28.50	



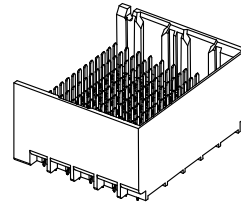
DUAL END
WALL OPTION

MATERIAL NUMBER	# OF COLUMNS	# OF DIFF PAIR	DIM "A"	DIM "B"	LEFT END WALL OPTION
173430-*11*	10	50	20.3	17.10	
173430-*21*	12	60	24.1	20.90	
173430-*71*	14	70	27.9	24.70	
173430-*61*	16	80	31.7	28.50	



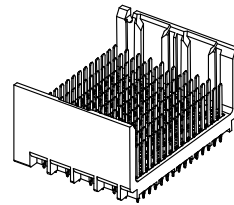
LEFT END
WALL OPTION

MATERIAL NUMBER	# OF COLUMNS	# OF DIFF PAIR	DIM "A"	DIM "B"	RIGHT END WALL OPTION
173430-*13*	10	50	20.3	17.10	
173430-*23*	12	60	24.1	20.90	
173430-*73*	14	70	27.9	24.70	
173430-*63*	16	80	31.7	28.50	



RIGHT END
WALL OPTION

MATERIAL NUMBER	# OF COLUMNS	# OF DIFF PAIR	DIM "A"	DIM "B"	OPEN WALL OPTION
173430-*10*	10	50	18.9	17.10	
173430-*20*	12	60	22.7	20.90	
173430-*70*	14	70	26.5	24.70	
173430-*60*	16	80	30.3	28.50	



OPEN
WALL OPTION

SEE SHEET 1 EC NO: UCP2016-2332 DRWNS:SVANG01 2015/12/09 CHKD:MWOLFE 2015/12/09 APPR:SMILLER 2015/12/17 A	QUALITY SYMBOLS 	GENERAL TOLERANCES (UNLESS SPECIFIED) <table border="1"> <thead> <tr> <th></th> <th>mm</th> <th>INCH</th> </tr> </thead> <tbody> <tr> <td>4 PLACES</td> <td>± .---</td> <td>± .---</td> </tr> <tr> <td>3 PLACES</td> <td>± .---</td> <td>± .---</td> </tr> <tr> <td>2 PLACES</td> <td>± 0.13</td> <td>± .---</td> </tr> <tr> <td>1 PLACE</td> <td>± 0.25</td> <td>± .---</td> </tr> <tr> <td>0 PLACE</td> <td>±</td> <td>±</td> </tr> </tbody> </table>		mm	INCH	4 PLACES	± .---	± .---	3 PLACES	± .---	± .---	2 PLACES	± 0.13	± .---	1 PLACE	± 0.25	± .---	0 PLACE	±	±	DIMENSION STYLE MM ONLY DRAWN BY DATE SVANG01 2015/12/09 CHECKED BY DATE MWOLFE 2015/12/09 APPROVED BY DATE SMILLER 2015/12/17	SCALE 2:1 DESIGN UNITS METRIC THIRD ANGLE PROJECTION	TITLE IMPACT 5 PAIR HEADER UNGUIDED PDNI ASSEMBLY SALES DRAWING molex	MATERIAL NO. SEE TABLE DOCUMENT NO. RSD-173430-001 SHEET NO. 2 OF 3
		mm	INCH																					
	4 PLACES	± .---	± .---																					
	3 PLACES	± .---	± .---																					
	2 PLACES	± 0.13	± .---																					
1 PLACE	± 0.25	± .---																						
0 PLACE	±	±																						
ANGULAR ±1/2°		DRAFT WHERE APPLICABLE MUST REMAIN WITHIN DIMENSIONS		THIS DRAWING CONTAINS INFORMATION THAT IS PROPRIETARY TO MOLEX. INCORPORATED AND SHOULD NOT BE USED WITHOUT WRITTEN PERMISSION																				
		SIZE C																						

PART NUMBER LOGIC

173430-****

MODULE TYPE
1 = UNGUIDED, TIN

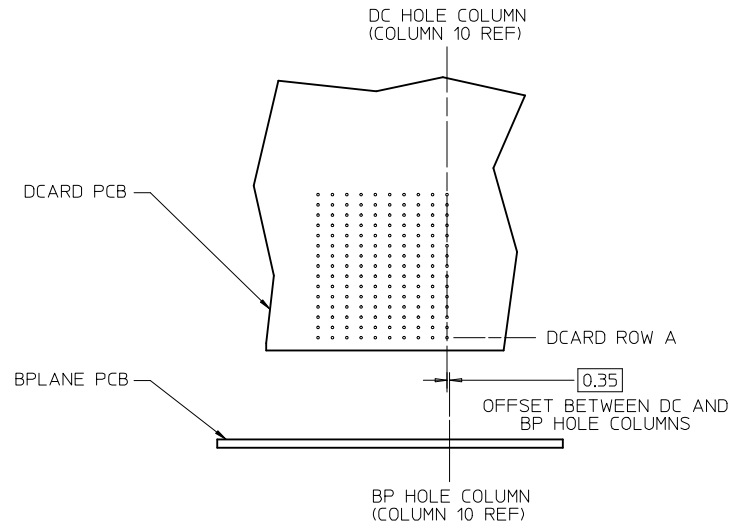
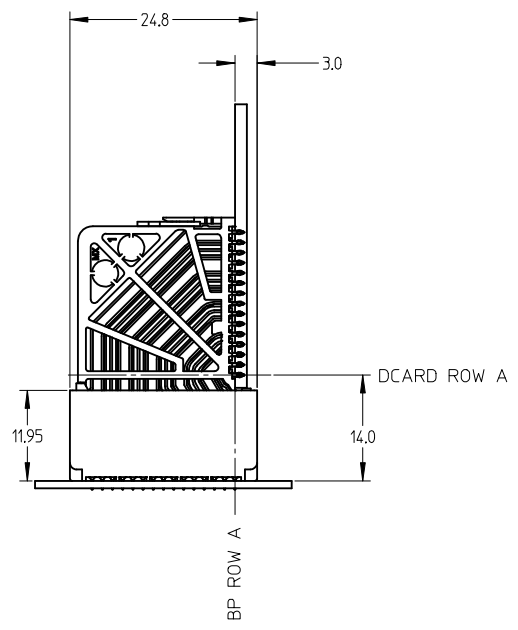
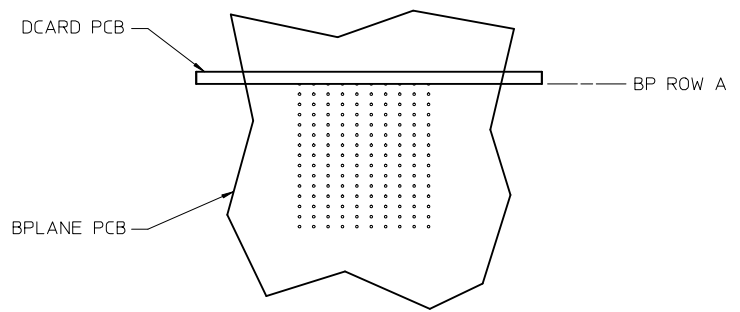
OF COLUMNS
1 = 10 COL
2 = 12 COL
6 = 16 COL
7 = 14 COL

P=PIN LENGTH

- 3 = 4.50 (SHORT COMPLIANT, 0.46±0.05 PTH)
- 4 = 4.90 (SHORT COMPLIANT, 0.46±0.05 PTH)
- 5 = 5.50 (SHORT COMPLIANT, 0.46±0.05 PTH)
- 6 = 4.50 (MICRO COMPLIANT, 0.39±0.05 PTH)
- 7 = 4.90 (MICRO COMPLIANT, 0.39±0.05 PTH)
- 8 = 5.50 (MICRO COMPLIANT, 0.39±0.05 PTH)

END WALL OPTIONS
0 = OPEN ENDS
1 = LEFT END WALL
2 = DUAL END WALL
3 = RIGHT END WALL

IMPACT 5 PAIR BOARD RELATIONSHIPS

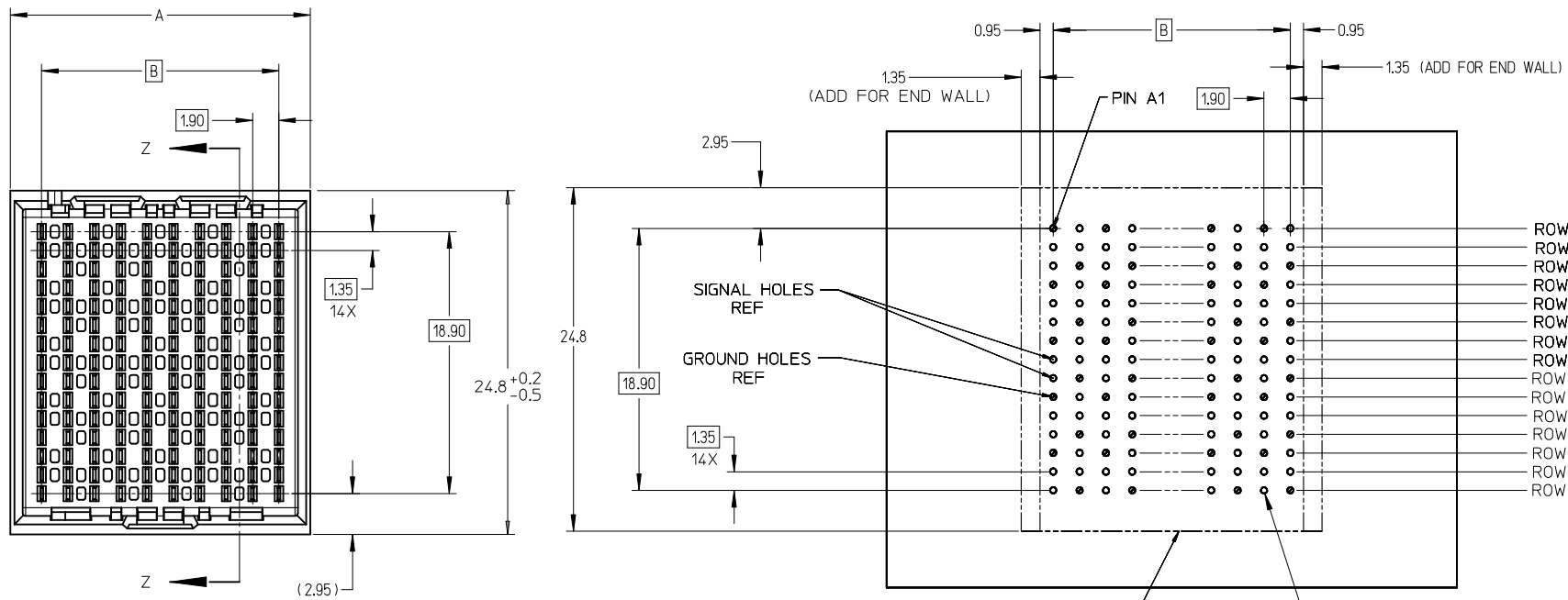


SEE SHEET 1 EC NO: UCP2016-2332 DRWNS:VANG01 2015/12/09 CHKD:MWOLFE APPR:SMILLER 2015/12/17	REV	DESCRIPTION	QUANTITY
	A		SYMBOLS
			▽ = 2015
			▽ = 0

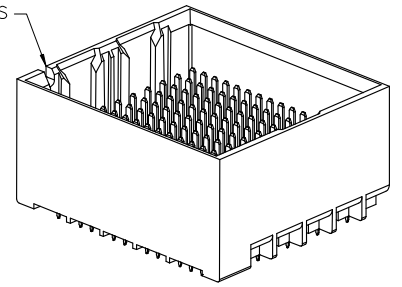
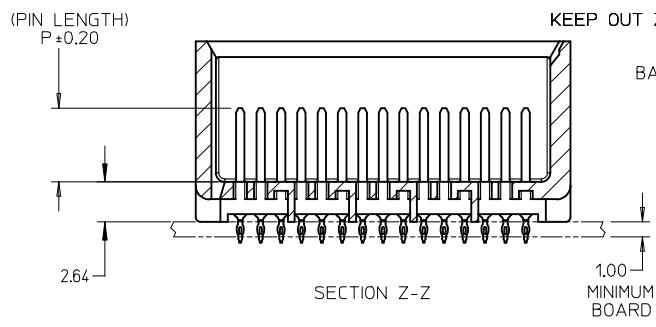
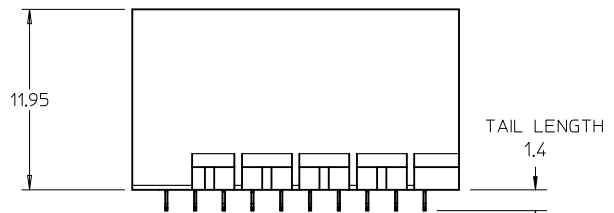
GENERAL TOLERANCES (UNLESS SPECIFIED)	
mm	INCH
4 PLACES ± .005	± .0004
3 PLACES ± .005	± .0004
2 PLACES ± 0.13	± .005
1 PLACE ± 0.25	± .010
0 PLACE ±	±
ANGULAR ±1/2°	
DRAFT WHERE APPLICABLE MUST REMAIN WITHIN DIMENSIONS	

DIMENSION STYLE	
MM ONLY	
DRAWN BY	DATE
SVANG01	2015/12/09
CHECKED BY	DATE
MWOLFE	2015/12/09
APPROVED BY	DATE
SMILLER	2015/12/17
MATERIAL NO.	
SEE TABLE	

SCALE	DESIGN UNITS	THIRD ANGLE PROJECTION
2:1	METRIC	☉
TITLE		
IMPACT 5 PAIR HEADER UNGUIDED PDNI ASSEMBLY SALES DRAWING		
molex		
DOCUMENT NO.	SHEET NO.	
RSD-173430-001	3 OF 3	
THIS DRAWING CONTAINS INFORMATION THAT IS PROPRIETARY TO MOLEX INCORPORATED AND SHOULD NOT BE USED WITHOUT WRITTEN PERMISSION		



ROW A
ROW B
ROW C
ROW D
ROW E
ROW F
ROW G
ROW H
ROW J
ROW K
ROW L
ROW M
ROW N
ROW O
ROW P

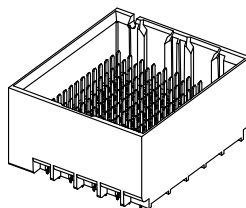


- NOTES:
1. MATERIALS: HOUSING - LIQUID CRYSTAL POLYMER (LCP)
GLASS-FILLED, UL94V-0
TERMINALS - HIGH PERFORMANCE COPPER ALLOY
 2. FINISH: 30µ MIN GOLD IN CONTACT AREA.
SELECTIVE TIN ON PCB TAILS.
NICKEL OVERALL.
 3. REFER TO MOLEX PRODUCT SPECIFICATION PS-76060-999
FOR PERFORMANCE SPECIFICATIONS AND ADDITIONAL PCB INFORMATION.
 4. THIS PART CONFORMS TO CLASS B REQUIREMENTS OF
MOLEX COSMETIC SPEC PS-45499-002.
 5. PARTS PACKAGED PER PK-70873-7702.
 6. SEE SHEETS 2 & 3 FOR PART NUMBERS AND BOARD RELATIONSHIPS.
 7. MATES WITH IMPACT DC SERIES NO. 76060.
 8. REFER TO MOLEX PCB ROUTING GUIDE AS-76060-990 FOR ANTIPAD AND
ROUTING RECOMMENDATIONS.
 9. *THESE DIMENSIONS REPRESENT THE AREA NEEDED TO ACCOMMODATE CONNECTOR
INSERTION AND REPAIR ON THE PC BOARD. THIS IS REFERRED TO AS THE
"CONNECTOR KEEP OUT ZONE" AND DOES NOT REPRESENT THE ACTUAL PERIMETER
OF THE CONNECTOR. WHEN LAYING OUT A PC BOARD FOR CONNECTORS STACKED
TOGETHER, USE THE 1.9mm PROGRESSION.*

CONVERT TO LEAD-FREE EC NO: UCP2013-2078 DRWN: TIBARRA 2012/11/26 CHKD: BINGHAM 2012/12/18 APPR: MILLER 2012/12/31	QUALITY SYMBOLS ▽=0 ▽=0 ▽=0	GENERAL TOLERANCES (UNLESS SPECIFIED)		DIMENSION STYLE MM ONLY	SCALE 4:1	DESIGN UNITS METRIC	THIRD ANGLE PROJECTION	
		4 PLACES ± --- ± ---	3 PLACES ± --- ± ---	DRAWN BY JLAURX	DATE 2007/06/18	TITLE IMPACT 5 PAIR HEADER UNGUIDED ASSEMBLY SALES DRAWING		
		2 PLACES ± 0.13 ± ---	1 PLACE ± 0.25 ± ---	CHECKED BY JLAURX	DATE 2007/06/18	DOCUMENT NO. SD-76055-001		
		0 PLACE ± ±	ANGULAR ±1/2°	APPROVED BY JLAURX	DATE 2010/10/15	MATERIAL NO. SEE TABLE	SHEET NO. 1 OF 3	
DRAFT WHERE APPLICABLE MUST REMAIN WITHIN DIMENSIONS		THIS DRAWING CONTAINS INFORMATION THAT IS PROPRIETARY TO MOLEX INCORPORATED AND SHOULD NOT BE USED WITHOUT WRITTEN PERMISSION						

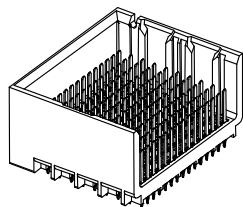
PART NUMBER TABLE

MATERIAL NUMBER	# OF COLUMNS	# OF DIFF PAIR	DIM "A"	DIM "B"	DUAL END WALL OPTION
76055-*12*	10	50	21.7	17.10	
76055-*22*	12	60	25.5	20.90	
76055-*72*	14	70	29.3	24.70	
76055-*62*	16	80	33.1	28.50	



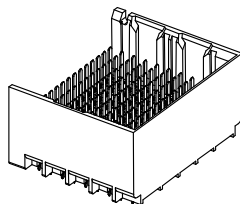
DUAL END
WALL OPTION

MATERIAL NUMBER	# OF COLUMNS	# OF DIFF PAIR	DIM "A"	DIM "B"	LEFT END WALL OPTION
76055-*11*	10	50	20.3	17.10	
76055-*21*	12	60	24.1	20.90	
76055-*71*	14	70	27.9	24.70	
76055-*61*	16	80	31.7	28.50	



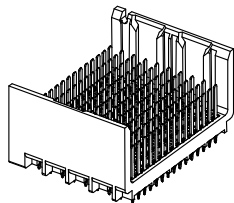
LEFT END
WALL OPTION

MATERIAL NUMBER	# OF COLUMNS	# OF DIFF PAIR	DIM "A"	DIM "B"	RIGHT END WALL OPTION
76055-*13*	10	50	20.3	17.10	
76055-*23*	12	60	24.1	20.90	
76055-*73*	14	70	27.9	24.70	
76055-*63*	16	80	31.7	28.50	



RIGHT END
WALL OPTION

MATERIAL NUMBER	# OF COLUMNS	# OF DIFF PAIR	DIM "A"	DIM "B"	OPEN WALL OPTION
76055-*10*	10	50	18.9	17.10	
76055-*20*	12	60	22.7	20.90	
76055-*70*	14	70	26.5	24.70	
76055-*60*	16	80	30.3	28.50	



OPEN
WALL OPTION

SEE SHEET 1 EC NO: UCP2013-2078 DRWN: TIBARRA 2012/11/26 CHKD: JBINGHAM 2012/12/18 APPR: SMILLER 2012/12/31	QUALITY SYMBOLS	GENERAL TOLERANCES (UNLESS SPECIFIED)	DIMENSION STYLE MM ONLY	SCALE 2:1	DESIGN UNITS METRIC	THIRD ANGLE PROJECTION
	▽=0	4 PLACES ± --- ± ---	DRAWN BY DATE JLAURX 2007/06/18	TITLE IMPACT 5 PAIR HEADER UNGUIDED ASSEMBLY SALES DRAWING molex DOCUMENT NO. SD-76055-001 SHEET NO. 2 OF 3		
	▽=0	3 PLACES ± --- ± ---	CHECKED BY DATE JLAURX 2007/06/18			
	▽=0	2 PLACES ± 0.13 ± ---	APPROVED BY DATE JLAURX 2010/10/15			
		1 PLACE ± 0.25 ± ---				
	0 PLACE ± ±					
	ANGULAR ±1/2°	DRAFT WHERE APPLICABLE MUST REMAIN WITHIN DIMENSIONS	MATERIAL NO. SEE TABLE			
			SIZE C	THIS DRAWING CONTAINS INFORMATION THAT IS PROPRIETARY TO MOLEX. INCORPORATED AND SHOULD NOT BE USED WITHOUT WRITTEN PERMISSION		

PART NUMBER LOGIC

76055-****

MODULE TYPE
1 = UNGUIDED, TIN

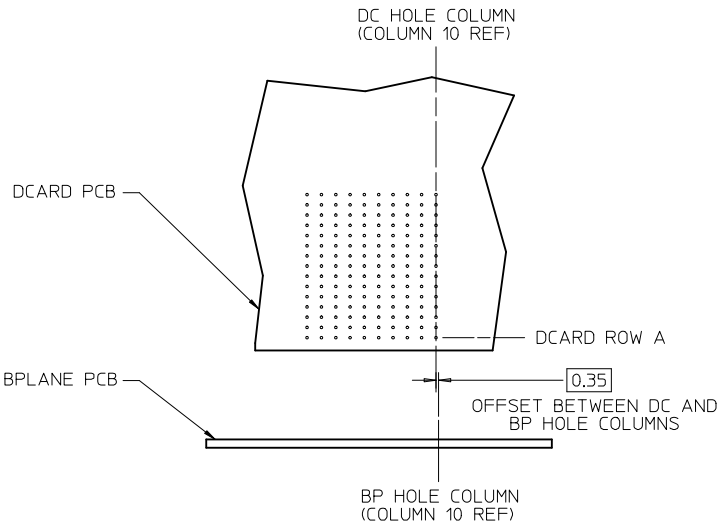
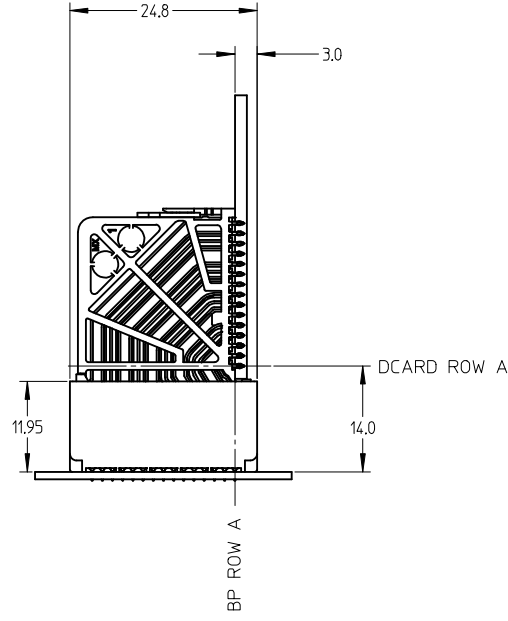
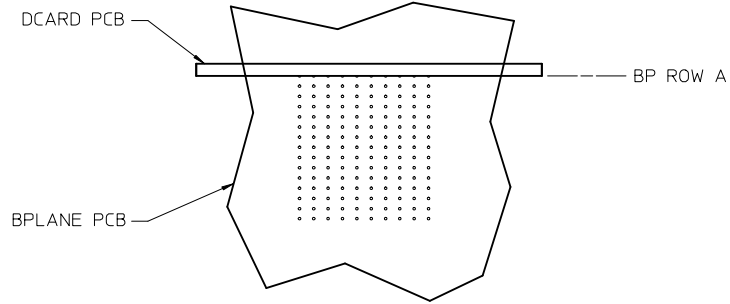
OF COLUMNS
1 = 10 COL
2 = 12 COL
6 = 16 COL
7 = 14 COL

P=PIN LENGTH

- 3 = 4.50 (SHORT COMPLIANT, 0.46±0.05 PTH)
- 4 = 4.90 (SHORT COMPLIANT, 0.46±0.05 PTH)
- 5 = 5.50 (SHORT COMPLIANT, 0.46±0.05 PTH)
- 6 = 4.50 (MICRO COMPLIANT, 0.39±0.05 PTH)
- 7 = 4.90 (MICRO COMPLIANT, 0.39±0.05 PTH)
- 8 = 5.50 (MICRO COMPLIANT, 0.39±0.05 PTH)

END WALL OPTIONS
0 = OPEN ENDS
1 = LEFT END WALL
2 = DUAL END WALL
3 = RIGHT END WALL

IMPACT 5 PAIR BOARD RELATIONSHIPS



SEE SHEET 1 EC NO: UCP2013-2078 DRWN: TIBARRA 2012/11/26 CHKD: JBRINGHAM 2012/12/18 APPR: SMILLER 2012/12/31	QUALITY SYMBOLS	GENERAL TOLERANCES (UNLESS SPECIFIED)	DIMENSION STYLE MM ONLY	SCALE 2:1	DESIGN UNITS METRIC	THIRD ANGLE PROJECTION
	▽=0	mm INCH	DRAWN BY DATE JLAURX 2007/06/18	TITLE IMPACT 5 PAIR HEADER UNGUIDED ASSEMBLY SALES DRAWING		
	▽=0	4 PLACES ± --- ± ---	CHECKED BY DATE JLAURX 2007/06/18			
	▽=0	3 PLACES ± --- ± ---	APPROVED BY DATE JLAURX 2010/10/15			
		2 PLACES ± 0.13 ± ---	MATERIAL NO.	DOCUMENT NO.	SHEET NO.	
	1 PLACE ± 0.25 ± ---	SEE TABLE		SD-76055-001		
	0 PLACE ± ±	DRAFT WHERE APPLICABLE MUST REMAIN WITHIN DIMENSIONS		THIS DRAWING CONTAINS INFORMATION THAT IS PROPRIETARY TO MOLEX INCORPORATED AND SHOULD NOT BE USED WITHOUT WRITTEN PERMISSION		