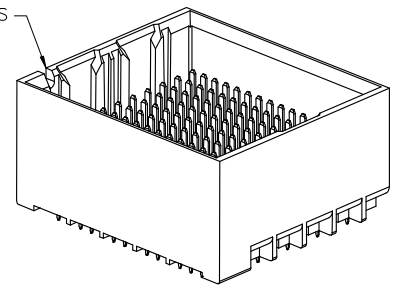


KEEP OUT ZONE
 UNGUIDED BACKPLANE HOLE PATTERN (CONNECTOR SIDE) SEE NOTE 9
 SEE PART NUMBER CHART AND PART NUMBER LOGIC (15 HOLES PER COLUMN)



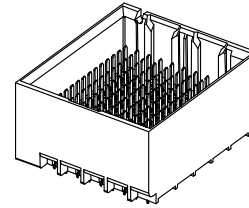
Pd-Ni
 PLATING

- NOTES:
1. MATERIALS: HOUSING - LIQUID CRYSTAL POLYMER (LCP) GLASS-FILLED, UL94V-0
 TERMINALS - HIGH PERFORMANCE COPPER ALLOY
 2. FINISH: 5 MICROINCH MINIMUM GOLD FLASH OVER 20 MICROINCH MINIMUM Pd-Ni IN CONTACT AREA. SELECTIVE TIN ON PCB TAILS. NICKEL OVERALL.
 3. REFER TO MOLEX PRODUCT SPECIFICATION PS-76060-999 FOR PERFORMANCE SPECIFICATIONS AND ADDITIONAL PCB INFORMATION.
 4. THIS PART CONFORMS TO CLASS B REQUIREMENTS OF MOLEX COSMETIC SPEC PS-45499-002.
 5. PARTS PACKAGED PER PK-70873-7702.
 6. SEE SHEETS 2 & 3 FOR PART NUMBERS AND BOARD RELATIONSHIPS.
 7. MATES WITH IMPACT DC SERIES NO. 76060.
 8. REFER TO MOLEX PCB ROUTING GUIDE AS-76060-990 FOR ANTIPAD AND ROUTING RECOMMENDATIONS.
 9. *THESE DIMENSIONS REPRESENT THE AREA NEEDED TO ACCOMMODATE CONNECTOR INSERTION AND REPAIR ON THE PC BOARD. THIS IS REFERRED TO AS THE "CONNECTOR KEEP OUT ZONE" AND DOES NOT REPRESENT THE ACTUAL PERIMETER OF THE CONNECTOR. WHEN LAYING OUT A PC BOARD FOR CONNECTORS STACKED TOGETHER, USE THE 1.9mm PROGRESSION.*

| | | | | | | | | | | |
|--|--------------------------------------|--|----|----------------------------|------------------------|---|--|------------------------|--|--|
| INITIAL RELEASE EC NO: UCP2016-2332 DRWNSVANG01 2015/12/09 CHKD:MWOLFE 2015/12/09 APPR:SMILLER 2015/12/17 REV A | QUALITY SYMBOLS ▽=0 ▽=0 ▽=0 | GENERAL TOLERANCES (UNLESS SPECIFIED) | | DIMENSION STYLE MM ONLY | | SCALE 4:1 | DESIGN UNITS METRIC | THIRD ANGLE PROJECTION | | |
| | | 4 PLACES ± --- ± --- | mm | INCH | DRAWN BY SVANG01 | DATE 2015/12/09 | IMPACT 5 PAIR HEADER UNGUIDED PDNI ASSEMBLY SALES DRAWING molex DOCUMENT NO. RSD-173430-001 SHEET NO. 1 OF 3 | | | |
| | | 3 PLACES ± --- ± --- | | | CHECKED BY MWOLFE | DATE 2015/12/09 | | | | |
| | | 2 PLACES ± 0.13 ± --- | | | APPROVED BY SMILLER | DATE 2015/12/17 | | | | |
| | | 1 PLACE ± 0.25 ± --- | | | | | | | | |
| 0 PLACE ± ± | | | | | | | | | | |
| | | ANGULAR ±1/2° | | MATERIAL NO. SEE TABLE | | | | | | |
| | | DRAFT WHERE APPLICABLE MUST REMAIN WITHIN DIMENSIONS | | SIZE C | | THIS DRAWING CONTAINS INFORMATION THAT IS PROPRIETARY TO MOLEX INCORPORATED AND SHOULD NOT BE USED WITHOUT WRITTEN PERMISSION | | | | |

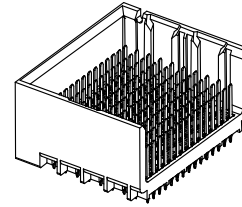
PART NUMBER TABLE

| MATERIAL NUMBER | # OF COLUMNS | # OF DIFF PAIR | DIM "A" | DIM "B" | DUAL END WALL OPTION |
|-----------------|--------------|----------------|---------|---------|----------------------------|
| 173430-*12* | 10 | 50 | 21.7 | 17.10 | |
| 173430-*22* | 12 | 60 | 25.5 | 20.90 | |
| 173430-*72* | 14 | 70 | 29.3 | 24.70 | |
| 173430-*62* | 16 | 80 | 33.1 | 28.50 | |



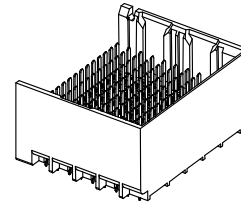
DUAL END
WALL OPTION

| MATERIAL NUMBER | # OF COLUMNS | # OF DIFF PAIR | DIM "A" | DIM "B" | LEFT END WALL OPTION |
|-----------------|--------------|----------------|---------|---------|----------------------------|
| 173430-*11* | 10 | 50 | 20.3 | 17.10 | |
| 173430-*21* | 12 | 60 | 24.1 | 20.90 | |
| 173430-*71* | 14 | 70 | 27.9 | 24.70 | |
| 173430-*61* | 16 | 80 | 31.7 | 28.50 | |



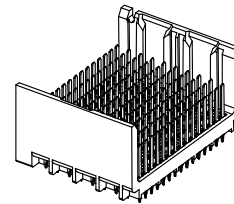
LEFT END
WALL OPTION

| MATERIAL NUMBER | # OF COLUMNS | # OF DIFF PAIR | DIM "A" | DIM "B" | RIGHT END WALL OPTION |
|-----------------|--------------|----------------|---------|---------|-----------------------------|
| 173430-*13* | 10 | 50 | 20.3 | 17.10 | |
| 173430-*23* | 12 | 60 | 24.1 | 20.90 | |
| 173430-*73* | 14 | 70 | 27.9 | 24.70 | |
| 173430-*63* | 16 | 80 | 31.7 | 28.50 | |



RIGHT END
WALL OPTION

| MATERIAL NUMBER | # OF COLUMNS | # OF DIFF PAIR | DIM "A" | DIM "B" | OPEN WALL OPTION |
|-----------------|--------------|----------------|---------|---------|------------------------|
| 173430-*10* | 10 | 50 | 18.9 | 17.10 | |
| 173430-*20* | 12 | 60 | 22.7 | 20.90 | |
| 173430-*70* | 14 | 70 | 26.5 | 24.70 | |
| 173430-*60* | 16 | 80 | 30.3 | 28.50 | |



OPEN
WALL OPTION

| | | | | | | | |
|--|--|---------------------------------------|------------------------|-----------------------------------|---|--------------------------------|------------------------|
| SEE SHEET 1 EC NO: UCP2016-2332 DRWNS:SVANG01 2015/12/09 CHKD:MWOLFE 2015/12/09 APPR:SMILLER 2015/12/17 A | QUALITY SYMBOLS | GENERAL TOLERANCES (UNLESS SPECIFIED) | | DIMENSION STYLE MM ONLY | SCALE 2:1 | DESIGN UNITS METRIC | THIRD ANGLE PROJECTION |
| | | 4 PLACES ± --- ± --- | DRAWN BY SVANG01 | DATE 2015/12/09 | TITLE IMPACT 5 PAIR HEADER UNGUIDED PDNI ASSEMBLY SALES DRAWING | | |
| | | 3 PLACES ± --- ± --- | CHECKED BY MWOLFE | DATE 2015/12/09 | | | |
| | | 2 PLACES ± 0.13 ± --- | APPROVED BY SMILLER | DATE 2015/12/17 | MATERIAL NO. SEE TABLE | DOCUMENT NO. RSD-173430-001 | SHEET NO. 2 OF 3 |
| | | 1 PLACE ± 0.25 ± --- | ANGULAR ±1/2° | | THIS DRAWING CONTAINS INFORMATION THAT IS PROPRIETARY TO MOLEX. INCORPORATED AND SHOULD NOT BE USED WITHOUT WRITTEN PERMISSION | | |
| 0 PLACE ± ± | DRAFT WHERE APPLICABLE MUST REMAIN WITHIN DIMENSIONS | | SIZE C | | | | |

PART NUMBER LOGIC

173430-****

MODULE TYPE
1 = UNGUIDED, TIN

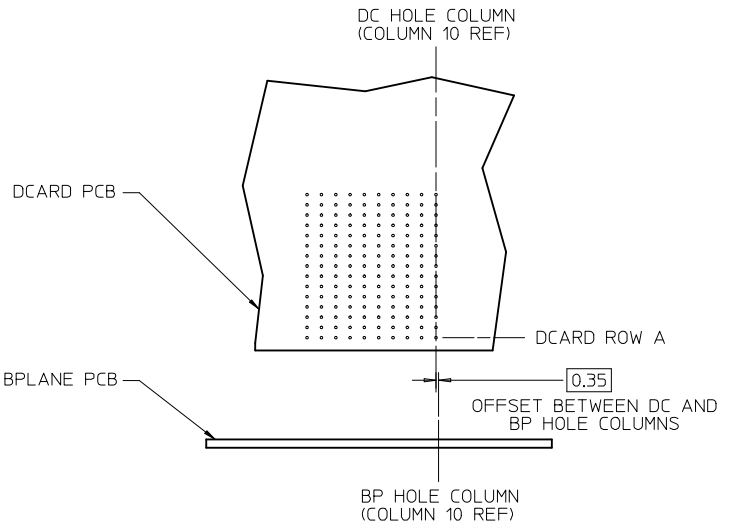
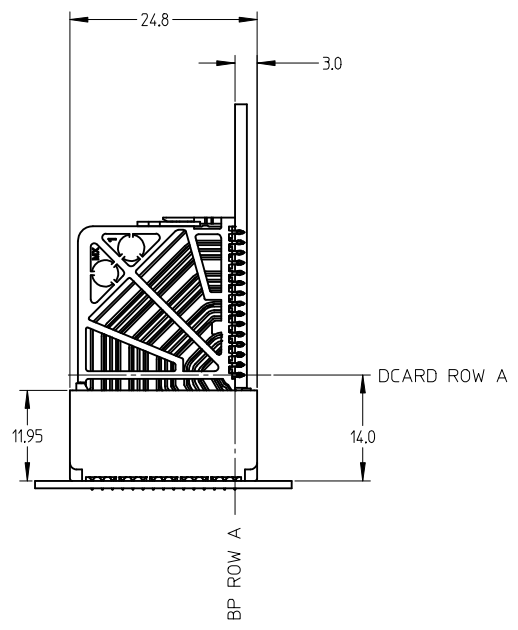
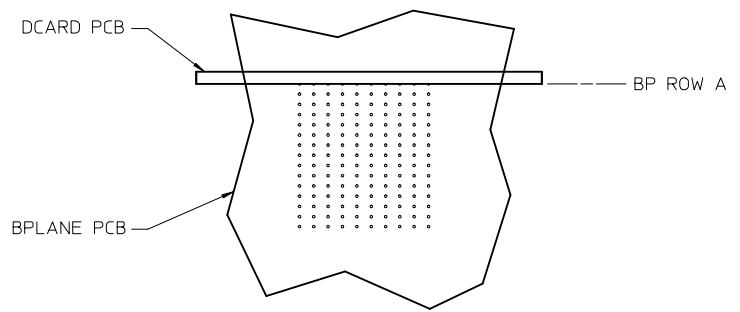
OF COLUMNS
1 = 10 COL
2 = 12 COL
6 = 16 COL
7 = 14 COL

P=PIN LENGTH

3 = 4.50 (SHORT COMPLIANT, 0.46±0.05 PTH)
4 = 4.90 (SHORT COMPLIANT, 0.46±0.05 PTH)
5 = 5.50 (SHORT COMPLIANT, 0.46±0.05 PTH)
6 = 4.50 (MICRO COMPLIANT, 0.39±0.05 PTH)
7 = 4.90 (MICRO COMPLIANT, 0.39±0.05 PTH)
8 = 5.50 (MICRO COMPLIANT, 0.39±0.05 PTH)

END WALL OPTIONS
0 = OPEN ENDS
1 = LEFT END WALL
2 = DUAL END WALL
3 = RIGHT END WALL

IMPACT 5 PAIR BOARD RELATIONSHIPS

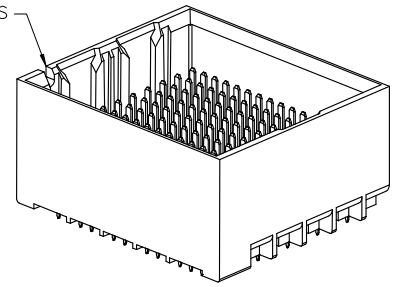
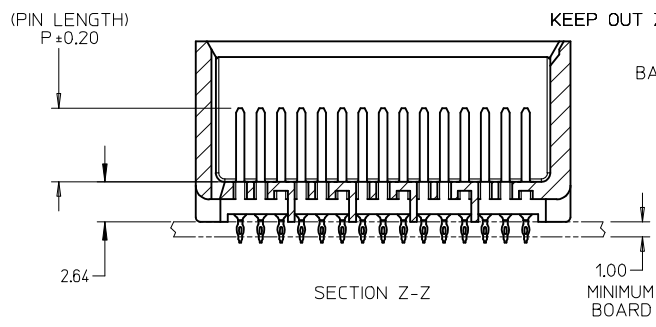
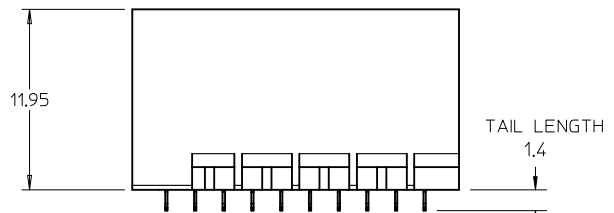
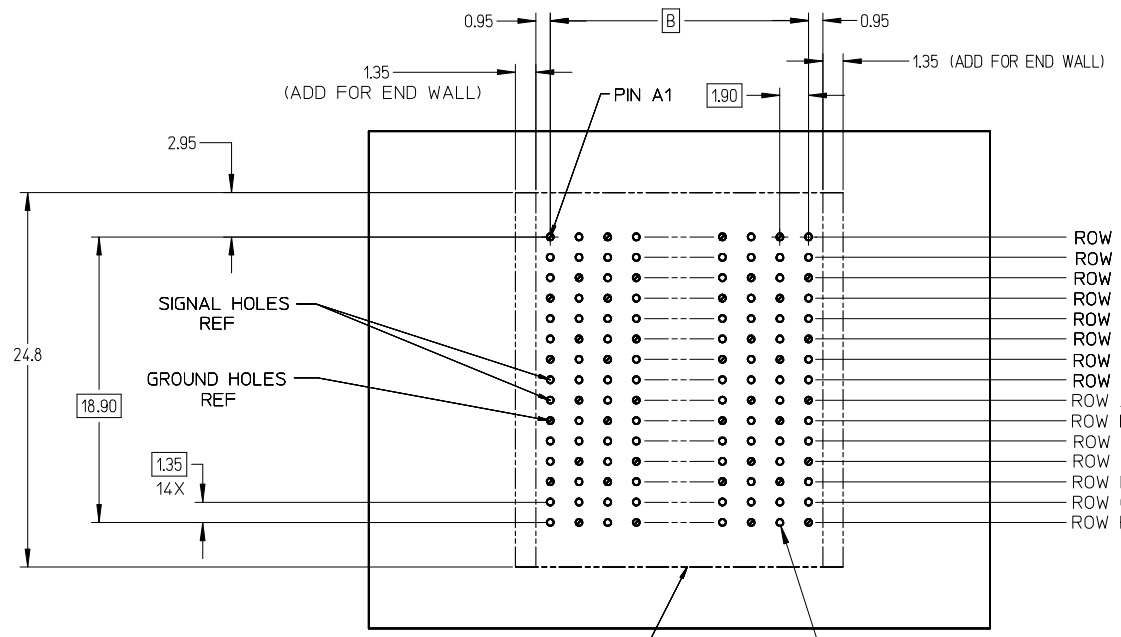
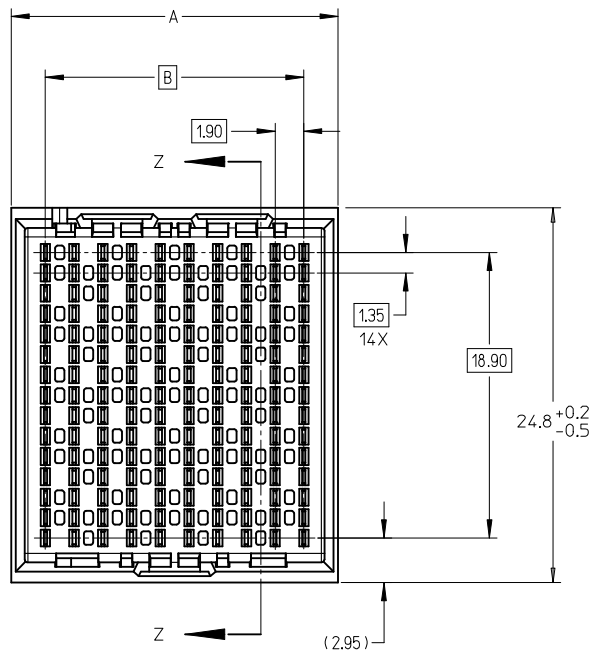


| | | |
|---|-------------|----|
| SEE SHEET 1 EC NO: UCP2016-2332 DRWNS:VANG01 2015/12/09 CHKD:MWOLFE APPR:SMILLER 2015/12/17 | QUANTITY | 20 |
| | SYMBOLS | 0 |
| | DESCRIPTION | |
| | REV | A |

| GENERAL TOLERANCES (UNLESS SPECIFIED) | |
|--|---------|
| mm | INCH |
| 4 PLACES ± .005 | ± .0004 |
| 3 PLACES ± .008 | ± .0003 |
| 2 PLACES ± 0.13 | ± .005 |
| 1 PLACE ± 0.25 | ± .010 |
| 0 PLACE ± | ± |
| ANGULAR ±1/2° | |
| DRAFT WHERE APPLICABLE MUST REMAIN WITHIN DIMENSIONS | |

| DIMENSION STYLE | |
|-----------------|------------|
| MM ONLY | |
| DRAWN BY | DATE |
| SVANG01 | 2015/12/09 |
| CHECKED BY | DATE |
| MWOLFE | 2015/12/09 |
| APPROVED BY | DATE |
| SMILLER | 2015/12/17 |
| MATERIAL NO. | |
| SEE TABLE | |
| SIZE | C |

| | | |
|---|--------------|------------------------|
| SCALE | DESIGN UNITS | THIRD ANGLE PROJECTION |
| 2:1 | METRIC | |
| TITLE | | |
| IMPACT 5 PAIR HEADER UNGUIDED PDNI ASSEMBLY SALES DRAWING | | |
| molex | | |
| DOCUMENT NO. | SHEET NO. | |
| RSD-173430-001 | 3 OF 3 | |
| THIS DRAWING CONTAINS INFORMATION THAT IS PROPRIETARY TO MOLEX INCORPORATED AND SHOULD NOT BE USED WITHOUT WRITTEN PERMISSION | | |

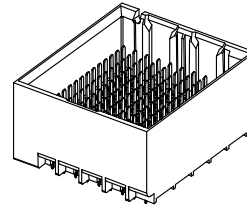


- NOTES:
1. MATERIALS: HOUSING - LIQUID CRYSTAL POLYMER (LCP)
GLASS-FILLED, UL94V-0
TERMINALS - HIGH PERFORMANCE COPPER ALLOY
 2. FINISH: 30µ MIN GOLD IN CONTACT AREA.
SELECTIVE TIN ON PCB TAILS.
NICKEL OVERALL.
 3. REFER TO MOLEX PRODUCT SPECIFICATION PS-76060-999
FOR PERFORMANCE SPECIFICATIONS AND ADDITIONAL PCB INFORMATION.
 4. THIS PART CONFORMS TO CLASS B REQUIREMENTS OF
MOLEX COSMETIC SPEC PS-45499-002.
 5. PARTS PACKAGED PER PK-70873-7702.
 6. SEE SHEETS 2 & 3 FOR PART NUMBERS AND BOARD RELATIONSHIPS.
 7. MATES WITH IMPACT DC SERIES NO. 76060.
 8. REFER TO MOLEX PCB ROUTING GUIDE AS-76060-990 FOR ANTIPAD AND
ROUTING RECOMMENDATIONS.
 9. *THESE DIMENSIONS REPRESENT THE AREA NEEDED TO ACCOMMODATE CONNECTOR
INSERTION AND REPAIR ON THE PC BOARD. THIS IS REFERRED TO AS THE
"CONNECTOR KEEP OUT ZONE" AND DOES NOT REPRESENT THE ACTUAL PERIMETER
OF THE CONNECTOR. WHEN LAYING OUT A PC BOARD FOR CONNECTORS STACKED
TOGETHER, USE THE 1.9mm PROGRESSION.*

| | | | | | | | | |
|--|-----------------------|-------------------|---------------------------------------|-----------------------------------|--|---|-------------------------------------|----------------------------|
| CONVERT TO LEAD-FREE EC NO: UCP2013-2078 DRWN: TIBARRA 2012/11/26 CHKD: BINGHAM 2012/12/18 APPR: MILLER 2012/12/31 | DESCRIPTION REV | QUALITY SYMBOLS | GENERAL TOLERANCES (UNLESS SPECIFIED) | DIMENSION STYLE MM ONLY | SCALE 4:1 | DESIGN UNITS METRIC | THIRD ANGLE PROJECTION | |
| | | ▽=0 | mm INCH | DRAWN BY DATE | TITLE | IMPACT 5 PAIR HEADER UNGUIDED ASSEMBLY SALES DRAWING molex | DOCUMENT NO. SD-76055-001 | SHEET NO. 1 OF 3 |
| | | ▽=0 | 4 PLACES ± --- ± --- | JLAURX 2007/06/18 | CHECKED BY DATE | | | |
| | | ▽=0 | 3 PLACES ± --- ± --- | JLAURX 2007/06/18 | APPROVED BY DATE | | | |
| ▽=0 | 2 PLACES ± 0.13 ± --- | JLAURX 2010/10/15 | MATERIAL NO. | | | | | |
| | | 0 PLACE ± ± | ANGULAR ±1/2° | SEE TABLE | THIS DRAWING CONTAINS INFORMATION THAT IS PROPRIETARY TO MOLEX INCORPORATED AND SHOULD NOT BE USED WITHOUT WRITTEN PERMISSION | | | |

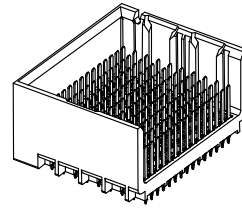
PART NUMBER TABLE

| MATERIAL NUMBER | # OF COLUMNS | # OF DIFF PAIR | DIM "A" | DIM "B" | DUAL END WALL OPTION |
|-----------------|--------------|----------------|---------|---------|----------------------------|
| 76055-*12* | 10 | 50 | 21.7 | 17.10 | |
| 76055-*22* | 12 | 60 | 25.5 | 20.90 | |
| 76055-*72* | 14 | 70 | 29.3 | 24.70 | |
| 76055-*62* | 16 | 80 | 33.1 | 28.50 | |



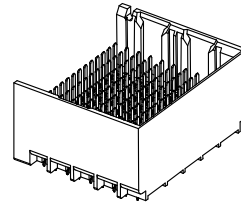
DUAL END
WALL OPTION

| MATERIAL NUMBER | # OF COLUMNS | # OF DIFF PAIR | DIM "A" | DIM "B" | LEFT END WALL OPTION |
|-----------------|--------------|----------------|---------|---------|----------------------------|
| 76055-*11* | 10 | 50 | 20.3 | 17.10 | |
| 76055-*21* | 12 | 60 | 24.1 | 20.90 | |
| 76055-*71* | 14 | 70 | 27.9 | 24.70 | |
| 76055-*61* | 16 | 80 | 31.7 | 28.50 | |



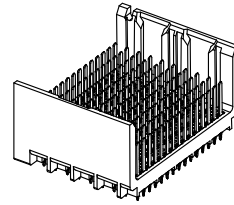
LEFT END
WALL OPTION

| MATERIAL NUMBER | # OF COLUMNS | # OF DIFF PAIR | DIM "A" | DIM "B" | RIGHT END WALL OPTION |
|-----------------|--------------|----------------|---------|---------|-----------------------------|
| 76055-*13* | 10 | 50 | 20.3 | 17.10 | |
| 76055-*23* | 12 | 60 | 24.1 | 20.90 | |
| 76055-*73* | 14 | 70 | 27.9 | 24.70 | |
| 76055-*63* | 16 | 80 | 31.7 | 28.50 | |



RIGHT END
WALL OPTION

| MATERIAL NUMBER | # OF COLUMNS | # OF DIFF PAIR | DIM "A" | DIM "B" | OPEN WALL OPTION |
|-----------------|--------------|----------------|---------|---------|------------------------|
| 76055-*10* | 10 | 50 | 18.9 | 17.10 | |
| 76055-*20* | 12 | 60 | 22.7 | 20.90 | |
| 76055-*70* | 14 | 70 | 26.5 | 24.70 | |
| 76055-*60* | 16 | 80 | 30.3 | 28.50 | |



OPEN
WALL OPTION

| | | | | | | |
|--|-----------------|--|---------------------------------------|--|-------------------------------|------------------------|
| SEE SHEET 1 EC NO: UCP2013-2078 DRWN:TIBARRA 2012/11/26 CHKD:JBINGHAM 2012/12/18 APPR:SMILLER 2012/12/31 | QUALITY SYMBOLS | GENERAL TOLERANCES (UNLESS SPECIFIED) | DIMENSION STYLE MM ONLY | SCALE 2:1 | DESIGN UNITS METRIC | THIRD ANGLE PROJECTION |
| | ▽=0 | 4 PLACES ± --- ± --- | DRAWN BY DATE JLAURX 2007/06/18 | TITLE IMPACT 5 PAIR HEADER UNGUIDED ASSEMBLY SALES DRAWING molex DOCUMENT NO. SD-76055-001 SHEET NO. 2 OF 3 | | |
| | ▽=0 | 3 PLACES ± --- ± --- | CHECKED BY DATE JLAURX 2007/06/18 | | | |
| | ▽=0 | 2 PLACES ± 0.13 ± --- | APPROVED BY DATE JLAURX 2010/10/15 | | | |
| | | 1 PLACE ± 0.25 ± --- | | | | |
| | 0 PLACE ± ± | | | | | |
| DESCRIPTION | ANGULAR ±1/2° | DRAFT WHERE APPLICABLE MUST REMAIN WITHIN DIMENSIONS | MATERIAL NO. SEE TABLE | | | |
| REV | | | SIZE C | THIS DRAWING CONTAINS INFORMATION THAT IS PROPRIETARY TO MOLEX. INCORPORATED AND SHOULD NOT BE USED WITHOUT WRITTEN PERMISSION | | |

PART NUMBER LOGIC

76055-****

MODULE TYPE
1 = UNGUIDED, TIN

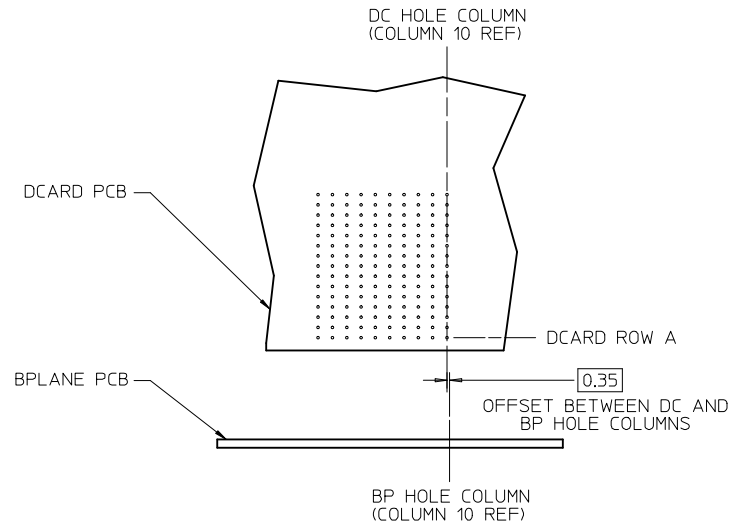
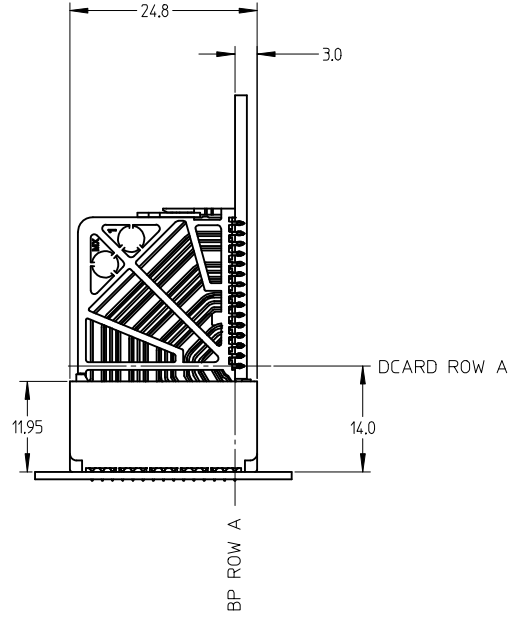
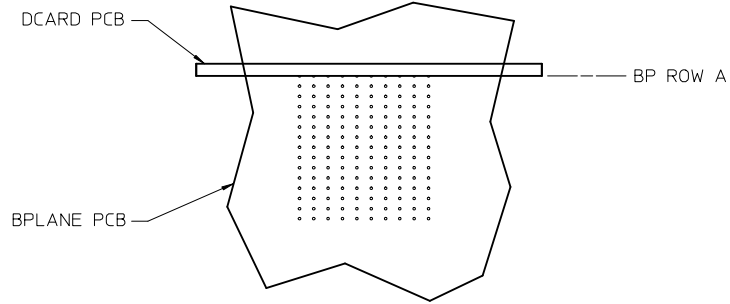
OF COLUMNS
1 = 10 COL
2 = 12 COL
6 = 16 COL
7 = 14 COL

P=PIN LENGTH

- 3 = 4.50 (SHORT COMPLIANT, 0.46±0.05 PTH)
- 4 = 4.90 (SHORT COMPLIANT, 0.46±0.05 PTH)
- 5 = 5.50 (SHORT COMPLIANT, 0.46±0.05 PTH)
- 6 = 4.50 (MICRO COMPLIANT, 0.39±0.05 PTH)
- 7 = 4.90 (MICRO COMPLIANT, 0.39±0.05 PTH)
- 8 = 5.50 (MICRO COMPLIANT, 0.39±0.05 PTH)

END WALL OPTIONS
0 = OPEN ENDS
1 = LEFT END WALL
2 = DUAL END WALL
3 = RIGHT END WALL

IMPACT 5 PAIR BOARD RELATIONSHIPS



| | | | | | | | |
|--|----------------------|--|---------------------------------------|---|-------------------------------|------------------------|----------------------------|
| SEE SHEET 1 EC NO: UCP2013-2078 DRWN: TIBARRA 2012/11/26 CHKD: JBRINGHAM 2012/12/18 APPR: SMILLER 2012/12/31 | QUALITY SYMBOLS | GENERAL TOLERANCES (UNLESS SPECIFIED) | DIMENSION STYLE MM ONLY | SCALE 2:1 | DESIGN UNITS METRIC | THIRD ANGLE PROJECTION | |
| | ▽=0 | mm INCH | DRAWN BY DATE JLAURX 2007/06/18 | TITLE IMPACT 5 PAIR HEADER UNGUIDED ASSEMBLY SALES DRAWING | | | |
| | ▽=0 | 4 PLACES ± --- ± --- | CHECKED BY DATE JLAURX 2007/06/18 | molex DOCUMENT NO. SD-76055-001 | | | |
| | ▽=0 | 3 PLACES ± --- ± --- | APPROVED BY DATE JLAURX 2010/10/15 | | | | SHEET NO. 3 OF 3 |
| | | 2 PLACES ± 0.13 ± --- | MATERIAL NO. | | | | |
| | 1 PLACE ± 0.25 ± --- | SEE TABLE | | | | | |
| | 0 PLACE ± ± | SIZE C | | | | | |
| | ANGULAR ±1/2° | DRAFT WHERE APPLICABLE MUST REMAIN WITHIN DIMENSIONS | | THIS DRAWING CONTAINS INFORMATION THAT IS PROPRIETARY TO MOLEX INCORPORATED AND SHOULD NOT BE USED WITHOUT WRITTEN PERMISSION | | | |