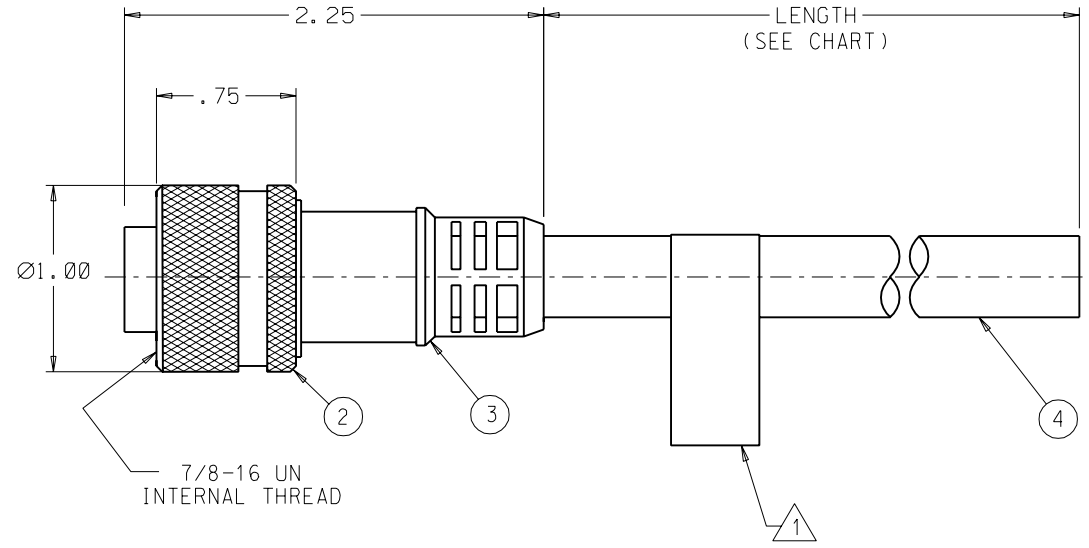
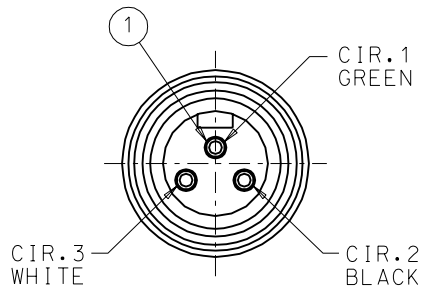


MOLEX PART NO.	HOLJERON PART NO.	LENGTH (METERS)
849140249	CBL-PDT320-100	10
849140254	CBL-PDT320-040	4
849140310	CBL-PDT320-005	.5
849140311	CBL-PDT320-010	1
849140312	CBL-PDT320-020	2
849140313	CBL-PDT320-030	3

REV	DATE	ECN NO.	APPVD BY	REL BY
C	3-28-00	UM2000-0497	FVW	
D	8-24-00	UM2001-0053		



P1

1	GRN
2	BLK
3	WHT

WIRING DIAGRAM

1 LABEL MARKED WITH HOLJERON PART NO., LISTED ABOVE AND DATE CODE PER OOP-036.

NOTES: UNLESS OTHERWISE SPECIFIED

ITEM	QTY	DESCRIPTION	MATERIAL/FINISH
4	SEE CHART	CABLE, 3/C, 16 AWG	PUR JACKET/COLOR:GRAY
3	1	MOLDED BODY	PVC/COLOR:GRAY
2	1	CPLG RING, INT. THD.	STAINLESS STEEL
1	3	CONTACT, SOCKET	COPPER ALLOY/TIN PLATED

<b>QUALITY SYMBOLS</b> MAJOR = CRITICAL = SPC =	UNLESS SPECIFIED: ALL DIMENSIONS IN INCHES  GENERAL TOLERANCES: 3 PLACE ±.005 2 PLACE ±.01 ANGULAR ±2°	SCALE --- DWG SIZE B THIRD ANGLE PROJECTION	REVISE ON CAD ONLY  TITLE: MINI-C, PLUG, FEMALE, 3 POLE, 16 AWG, PUR, NEC
	Uti-Mate CAGE CODE 58967	DRAWN BY & DATE GF 4-15-99 CHECKED BY & DATE DW 4-16-99 APPROVED BY & DATE DW 4-16-99	MOLEX INCORPORATED Orange, CA 92868 PART NO. SEE CHART DRAWING NO. SD-84914-0249 SHEET NO. 1 OF 1
	THIS DRAWING CONTAINS INFORMATION THAT IS PROPRIETARY TO MOLEX INCORPORATED AND SHOULD NOT BE USED WITHOUT WRITTEN PERMISSION.		
	REV D		