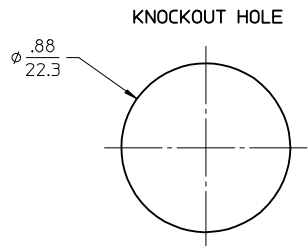
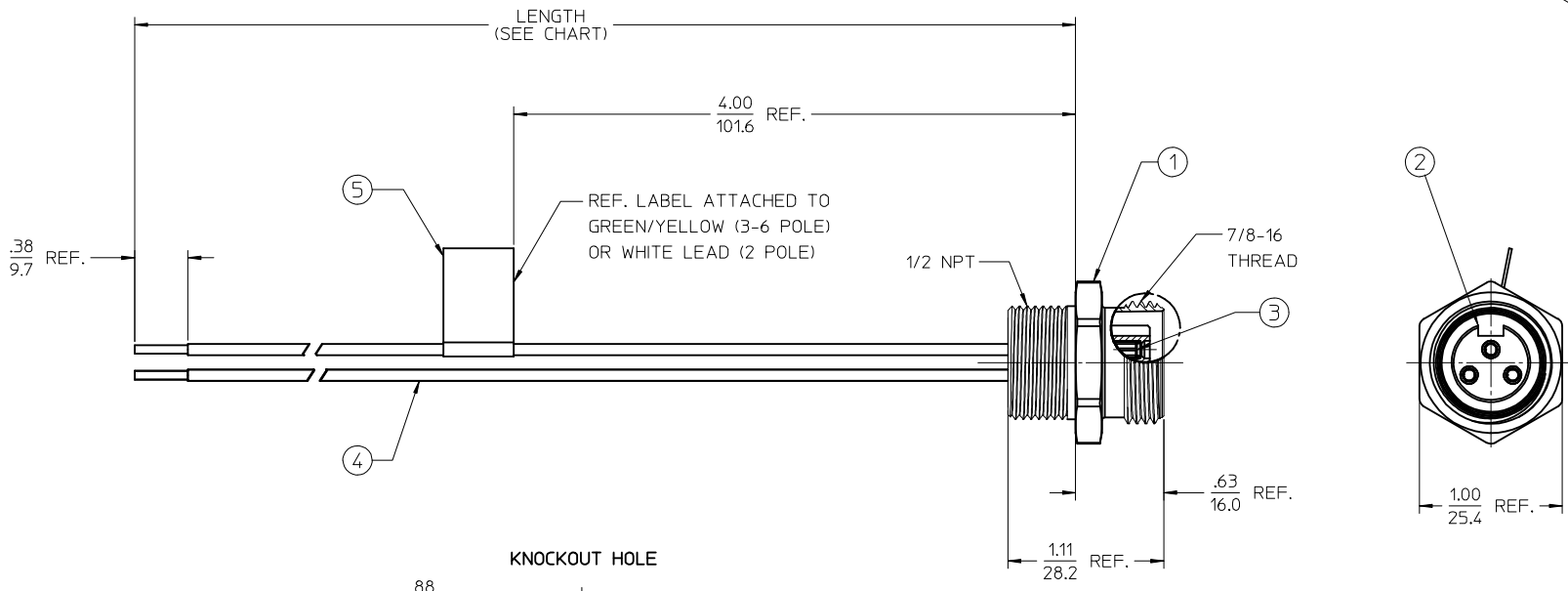
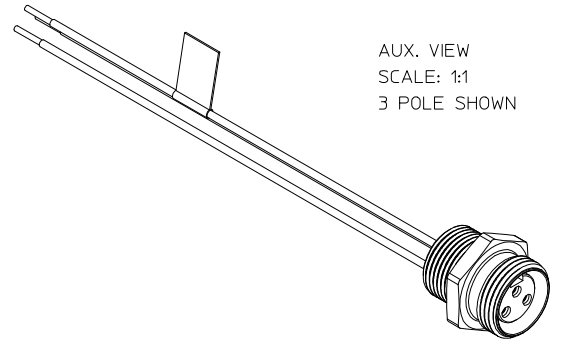


MATERIAL NO.	ENGINEERING NO.	LENGTH	POLES	ELECTRICAL SPECS
1300130149	1R3004A20F0601	6'0" +2.19 -0 (1.83M +55.6 -0)	3	600 VOLTS, 13 AMPS
1300130315	1R4004A20A1201	12.00' +.75 -0 (304.8 +19.1 -0)	4	600 VOLTS, 10 AMPS
1300130443	1R5004A20A1201	12.00' +.75 -0 (304.8 +19.1 -0)	5	600 VOLTS, 8 AMPS



- NOTES:
1. MATERIAL: SEE TABLE
 2. FINISHES: SEE TABLE
 3. MATES WITH: MINI CHANGE CABLE
 4. ELECTRICAL SPECIFICATIONS: SEE CHART
 5. ASSEMBLY IS RoHS COMPLIANT

FACE VIEW-FEMALE INSERT				
1 WHITE 2 BLACK	1 GREEN/YELLOW 2 BLACK 3 WHITE	1 BLACK 2 WHITE 3 RED 4 GREEN/YELLOW	1 WHITE 2 RED 3 GREEN/YELLOW 4 ORANGE 5 BLACK	1 WHITE 2 RED 3 GREEN/YELLOW 4 ORANGE 5 BLACK 6 BLUE

ITEM	QTY.	DESCRIPTION	MATERIAL	FINISH
5	1	LABEL	VINYL	BLACK/YELLOW
4	A/R	WIRE, 16 AWG, UL1015	PVC INSULATION	SEE WIRE DIAGRAM
3	A/R	CONTACT SOCKET	Cu ALLOY	GOLD PLATED
2	1	INSERT	PVC	YELLOW
1	1	RECEPTACLE SHELL	ST. STEEL	PASSIVATED

NEW SALES DWG.
EC NO: JFG2013-0880
DRAWN BY: DRWINRSTONE 2013/01/11
CHKD BY: JOZWIK 2013/01/25
APPR: JFMURPHY 2013/03/01

QUALITY SYMBOLS: $\nabla=0$, $\nabla=0$

GENERAL TOLERANCES (UNLESS SPECIFIED):

	mm	INCH
4 PLACES	± .005	± .0005
3 PLACES	± .005	± .0005
2 PLACES	± 0.05	± .01
1 PLACE	± 0.10	± .02
0 PLACE	± .005	± .0005

ANGULAR ± .5°

DRAFT WHERE APPLICABLE MUST REMAIN WITHIN DIMENSIONS

DIMENSION STYLE: IN/MM

SCALE: 1.5:1

DESIGN UNITS: INCH

THIRD ANGLE PROJECTION

TITLE: MINI CHANGE FEM. RECEPT. EXT THD, 16 AWG 1/2 NPT MTG THD, SS

APPROVED BY: JFMURPHY 2013/03/01

MATERIAL NO. SEE CHART

DOCUMENT NO. SD-130013-041

SHEET NO. 1 OF 1

THIS DRAWING CONTAINS INFORMATION THAT IS PROPRIETARY TO MOLEX INCORPORATED AND SHOULD NOT BE USED WITHOUT WRITTEN PERMISSION