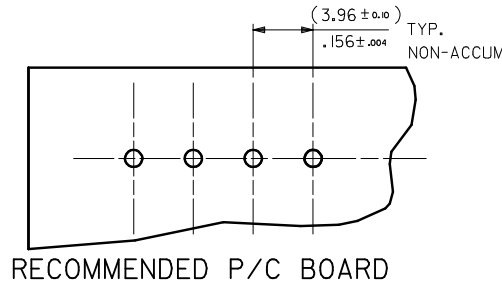
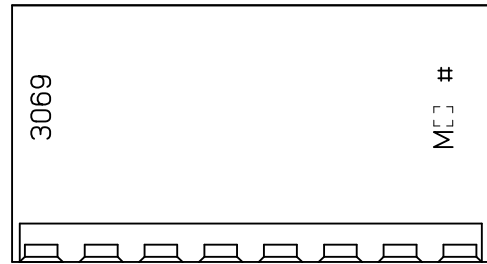
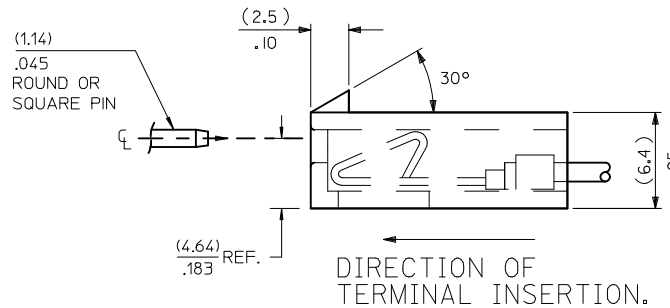
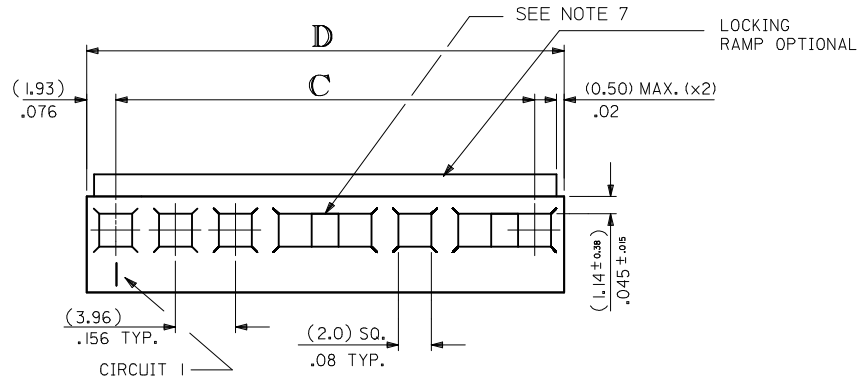


OPTIONAL WINDOW DETAIL

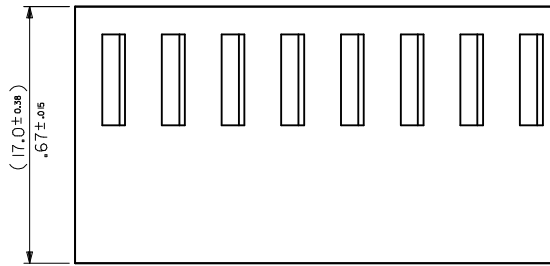


RECOMMENDED P/C BOARD



NOTES:

1. MATERIAL: UL94V-2 NYLON, IEC 60335-1 5TH EDITION GLOW WIRE CAPABLE, COLOR: BLACK
2. FINISH: N/A
3. PRODUCT SPECIFICATION: PS-99020-0087
4. PACKAGING SPECIFICATION: PK-3069-001
5. FOR USE WITH TERMINAL No. 2478 OR 2578
6. ASSEMBLED CONNECTOR MATES WITH (1.14)/0.045 SQUARE OR ROUND PIN.
7. EXTENDED PIN ENTRY WINDOWS ARE POSSIBLE.
8. THIS PART CONFORMS TO CLASS B REQUIREMENTS OF COSMETIC SPECIFICATION PS-45499-002.



No. OF CCTS.	C	D
2	(3.96 ± 0.10) .156 ± .005	(7.82 ± 0.25) .308 ± .010
3	(7.92 ± 0.15) .312 ± .005	(11.79 ± 0.25) .464 ± .010
4	(11.89 ± 0.15) .468 ± .005	(15.75 ± 0.25) .620 ± .010
5	(15.85 ± 0.15) .624 ± .005	(19.71 ± 0.25) .776 ± .010
6	(19.81 ± 0.15) .780 ± .005	(23.67 ± 0.25) .932 ± .010
7	(23.77 ± 0.15) .936 ± .005	(27.64 ± 0.31) 1.088 ± .012
8	(27.74 ± 0.25) 1.092 ± .010	(31.60 ± 0.31) 1.244 ± .012
9	(31.70 ± 0.25) 1.248 ± .010	(35.56 ± 0.31) 1.400 ± .012
10	(35.66 ± 0.25) 1.404 ± .010	(39.52 ± 0.31) 1.556 ± .012
11	(39.62 ± 0.25) 1.560 ± .010	(43.48 ± 0.31) 1.712 ± .012
12	(43.59 ± 0.25) 1.716 ± .010	(47.45 ± 0.31) 1.868 ± .012
13	(47.55 ± 0.31) 1.872 ± .012	(51.41 ± 0.36) 2.024 ± .014
14	(51.51 ± 0.36) 2.028 ± .014	(55.37 ± 0.36) 2.180 ± .014
15	(55.47 ± 0.36) 2.184 ± .014	(59.33 ± 0.36) 2.336 ± .014
16	(59.44 ± 0.36) 2.340 ± .014	(63.30 ± 0.36) 2.492 ± .014
17	(63.40 ± 0.36) 2.496 ± .014	(67.26 ± 0.36) 2.648 ± .014
18	(67.36 ± 0.36) 2.652 ± .014	(71.22 ± 0.36) 2.804 ± .014
19	(71.32 ± 0.36) 2.808 ± .014	(75.18 ± 0.36) 2.960 ± .014
20	(75.29 ± 0.36) 2.964 ± .014	(79.15 ± 0.46) 3.116 ± .018

ADD PK SPEC. IEC NO: UCP2014-2821 DRWN:KIPPER CHKD:JBELL APPR:FSMITH	REV B3	DESCRIPTION 2014/01/08 2014/01/08 2014/01/30	QUALITY SYMBOLS ▽=0 ▽=0 ▽=0	GENERAL TOLERANCES (UNLESS SPECIFIED)		DIMENSION STYLE MM/IN		SCALE 4:1	DESIGN UNITS METRIC	THIRD ANGLE PROJECTION
				mm	INCH	DRAWN BY BRIAN RUTTLE	DATE 10/12/2007	TITLE HOUSING KK CONNECTOR (3.96)/0.156 CRIMP GLOW WIRE VERSION		
DRAFT WHERE APPLICABLE MUST REMAIN WITHIN DIMENSIONS				ANGULAR ± 2 °		MATERIAL NO. SEE CHART		DOCUMENT NO. SD-3069-GN***	SHEET NO. 1 OF 2	
THIS DRAWING CONTAINS INFORMATION THAT IS PROPRIETARY TO MOLEX INCORPORATED AND SHOULD NOT BE USED WITHOUT WRITTEN PERMISSION										

No. OF CCTS.	ENG. No.	PART No.	LOCKING RAMP
2	3069-G02	09-93-0200	YES
	▲ -G022	▲ -94-0200	NO
3	-G03	-93-0300	YES
	-G032	-94-0300	NO
4	-G04	-93-0400	YES
	-G042	-94-0400	NO
5	-G05	-93-0500	YES
	-G052	-94-0500	NO
6	-G06	-93-0600	YES
	-G062	-94-0600	NO
7	-G07	-93-0700	YES
	-G072	-94-0700	NO
8	-G08	-93-0800	YES
	-G082	-94-0800	NO
9	-G09	-93-0900	YES
	-G092	-94-0900	NO
10	-G10	-93-1000	YES
	-G102	-94-1000	NO
11	-G11	-93-1100	YES
	-G112	-94-1100	NO
12	-G12	-93-1200	YES
	-G122	-94-1200	NO
13	-G13	-93-1300	YES
	-G132	-94-1300	NO
14	-G14	-93-1400	YES
	-G142	-94-1400	NO
15	-G15	-93-1500	YES
	-G152	-94-1500	NO
16	-G16	-93-1600	YES
	-G162	-94-1600	NO
17	-G17	-93-1700	YES
	-G172	-94-1700	NO
18	-G18	-93-1800	YES
	-G182	-94-1800	NO
19	-G19	-93-1900	YES
	-G192	-94-1900	NO
20	▼ -G20	▼ -93-2000	YES
	3069-G202	09-94-2000	NO

ENG. No. DESIGNATION

3069 - G N 2

"G" GLOW WIRE CAPABLE
SEE NOTE 1

NO. OF CKT'S

"2" INDICATES HOUSING WITHOUT RAMP
"BLANK" INDICATES HOUSING WITH RAMP

SEE SHEET 1 EC NO: UCP2014-2821 DRW:MKIPPER 2014/01/08 CHKD:JBELL 2014/01/08 APPR:FSMTH 2014/01/30	QUALITY SYMBOLS	GENERAL TOLERANCES (UNLESS SPECIFIED)	DIMENSION STYLE	SCALE	DESIGN UNITS	THIRD ANGLE PROJECTION
	▽=0	mm INCH	MM/IN	1:1	METRIC	
	▽=0	4 PLACES ± --- ± ---	DRAWN BY DATE	HOUSING KK CONNECTOR (3.96)/0.156 CRIMP GLOW WIRE VERSION molex		
	▽=0	3 PLACES ± --- ± .010	BRIAN RUTTLE 10/12/2007			
	2 PLACES ± 0.25 ± .014	CHECKED BY DATE	MATERIAL NO. DOCUMENT NO. SHEET NO. SEE CHART SD-3069-GN*** 2 OF 2			
	1 PLACE ± 0.35 ± ---	B. MAGUIRE 12/12/2007				
	0 PLACE ± --- ± ---	APPROVED BY DATE	THIS DRAWING CONTAINS INFORMATION THAT IS PROPRIETARY TO MOLEX INCORPORATED AND SHOULD NOT BE USED WITHOUT WRITTEN PERMISSION			
		B. MAGUIRE 14/12/2007				
B3	ANGULAR ± 2 ° DRAFT WHERE APPLICABLE MUST REMAIN WITHIN DIMENSIONS		SIZE B			