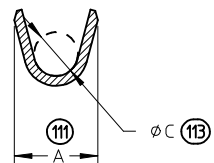
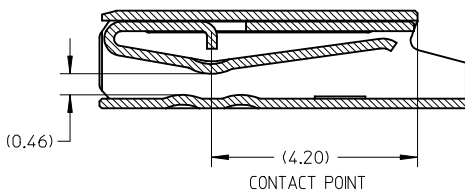
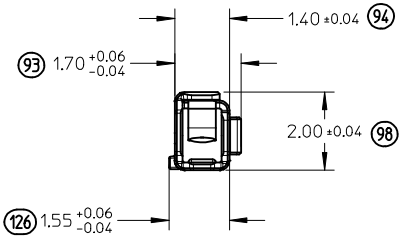
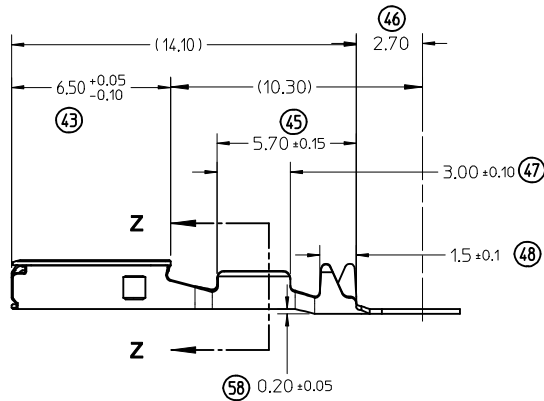
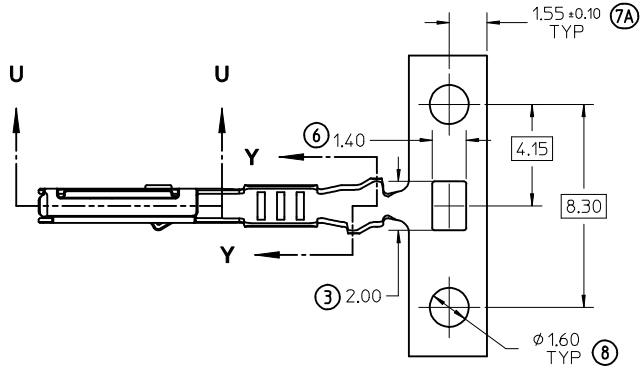
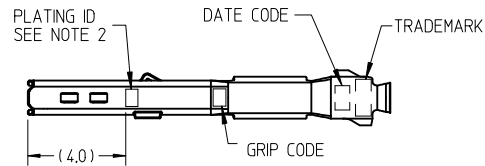


INSULATION GRIP



CONDUCTOR GRIP



SECTION U-U SCALE 10:1

PART NUMBERS		GRIP CODE	WIRE GAUGE			PLATING	DIM A +0.20	DIM B +0.30	DIM C +0.10	DIM D +0.20
D-WIND (LEFT PAYOFF)	B-WIND (RIGHT PAYOFF)		ISO mm ²	JASO mm ²	SAE gauge					
34803-0211	34803-0213	S	0.22-0.35	0.3	22	TIN	1.80	2.40	0.90	1.36
34803-0212	34803-0214	L	0.50-0.75	0.50-0.85	20	(Sn)	2.15	2.50	1.20	1.72

ISO VIEWS
NOT TO SCALE



NOTES: (UNLESS OTHERWISE SPECIFIED)

1. MATERIAL: COPPER ALLOY
2. PLATING MARK: TIN (Sn) - NO MARK
3. PACKAGING PER SD-31301-053
4. CRIMPING PER AS-502306-001
5. PROBING AT ANY LOCATION ON THE TERMINAL BEAM IS NOT PERMITTED

ENTER DESCRIPTION EC NO: UAU2013-0899 DRAWN BY: DR.MADHEWANI 2012/12/11 CHKD: APPR: BMOSER 2012/12/12 REV: A3	QUALITY SYMBOLS ▽=0 ▽=0	GENERAL TOLERANCES (UNLESS SPECIFIED)	DIMENSION STYLE MM ONLY	SCALE 5:1	DESIGN UNITS METRIC	THIRD ANGLE PROJECTION													
		<table border="1"> <thead> <tr> <th></th> <th>mm</th> <th>INCH</th> </tr> </thead> <tbody> <tr> <td>4 PLACES</td> <td>± ---</td> <td>± ---</td> </tr> <tr> <td>3 PLACES</td> <td>± 0.08</td> <td>± ---</td> </tr> <tr> <td>2 PLACES</td> <td>± 0.08</td> <td>± ---</td> </tr> <tr> <td>1 PLACE</td> <td>± 0.08</td> <td>± ---</td> </tr> </tbody> </table> ANGULAR ± 1 °		mm	INCH	4 PLACES	± ---	± ---	3 PLACES	± 0.08	± ---	2 PLACES	± 0.08	± ---	1 PLACE	± 0.08	± ---	DRAWN BY: K.FERGUSON DATE: 1-15-10	TITLE: CTX64 FEMALE TERMINAL
		mm	INCH																
	4 PLACES	± ---	± ---																
3 PLACES	± 0.08	± ---																	
2 PLACES	± 0.08	± ---																	
1 PLACE	± 0.08	± ---																	
		CHECKED BY: D.HEMNANI DATE: 1-15-10																	
		APPROVED BY: B.MOSER DATE: 1-15-10	MATERIAL NO. SEE TABLE	DOCUMENT NO. SD-34803-001	SHEET NO. 1 OF 1														