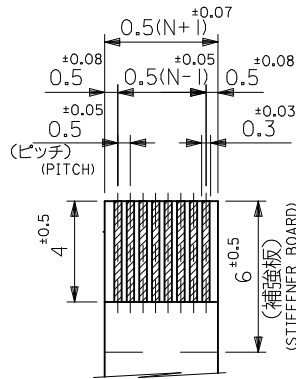
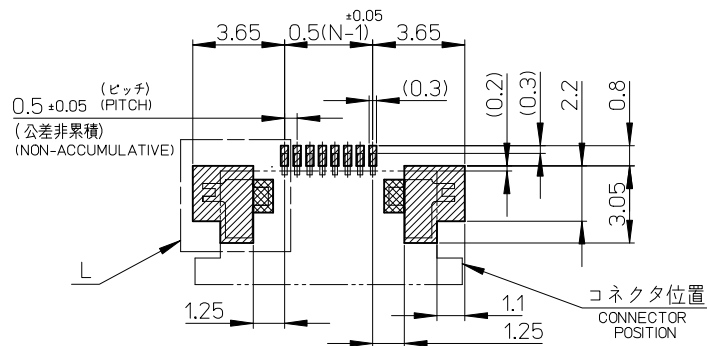
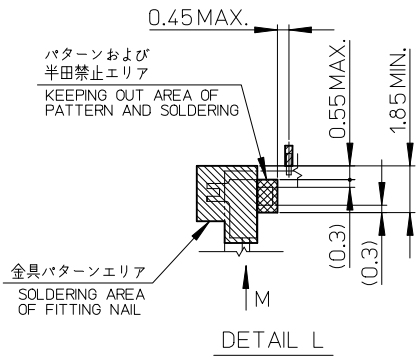


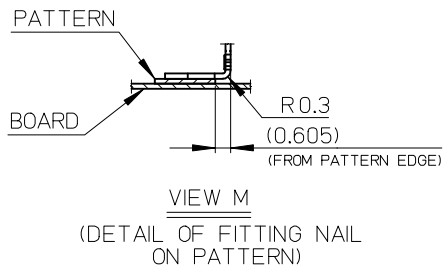
適合FPC推奨寸法
APPLICABLE FPC
RECOMMENDED DIMENSION.
(仕上がり厚さ: 0.3^{+0.05})
(THICKNESS: 0.3^{+0.05})



適合FFC推奨寸法
APPLICABLE FFC
RECOMMENDED DIMENSION.
(仕上がり厚さ: 0.3^{+0.05})
(THICKNESS: 0.3^{+0.05})



参考基板レイアウト
(マウント面)
RECOMMENDED P.C.BOARD
PATTERN DIMENSION (REF.)
(MOUNTING SIDE)



注記 NOTES

1. 使用材料 MATERIAL
ハウジング : 46ナイロン, UL94V-0
HOUSING : 46NYLON
アクチュエータ : PPS, UL94V-0
ACTUATOR
- ターミナル : リン青銅 (+0.2) ニッケル下地・錫ビスマスマッキ
TERMINAL PHOS-BRO, TIN-BITHMUS OVER NICKEL PLATED
- 金具 : リン青銅 (+0.2) ニッケル下地・錫メッキ
FITTING NAIL PHOS-BRO, TIN OVER NICKEL PLATED
2. エンボステープ梱包時は、アクチュエータがロックした状態とする。
IN THE PACKAGE, ACTUATOR OF PART NO.52746-**-19 SHOULD BE LOCKED.
- △ ソルダータール半田付け面のズレ量、及び金具半田付け面のズレ量は、基準面 H に対し上方向 0.1 MAX.、下方向 0.15 MAX. とする。
MISALIGNMENT OF SOLDER TAILS AND FITTING NAILS FROM H
UPPER DIRECTION: 0.1 MAX., LOWER DIRECTION: 0.15 MAX.
- △ 偶数極に適用。
APPLY FOR EVEN CIRCUIT.
- △ パターンはくり止め用金具
FITTING NAIL FOR PREVENTION OF PEELING OF P.C.B. PATTERN.
- 6 本製品は 52746-**-17 の鉛フリー品です。
THIS PRODUCT IS LEAD FREE OF 52746-**-17
- △ R0.3 は、FPC の導体部にかからないこと。
R0.3 MUST NOT BE OVERLAPPED TO PATTERN OF FPC.

FPC について:
打抜き方向は導体側から補強板を推奨致します。
補強フィルム材質はポリイミドを推奨致します。
接着剤は熱硬化接着剤を推奨致します。

ABOUT FPC:
RECOMMENDED PUNCHER DIRECTION : FROM CONDUCTOR SIDE TO STIFFENER BOARD SIDE.
RECOMMENDED MATERIAL :
STIFFENER FILM : POLYIMIDE
BONDING AGENT : THERMOSETTING BONDING AGENT

52746-**-19	MODEL NO.
DESIGN UNITS	THIRD ANGLE PROJECTION
METRIC	

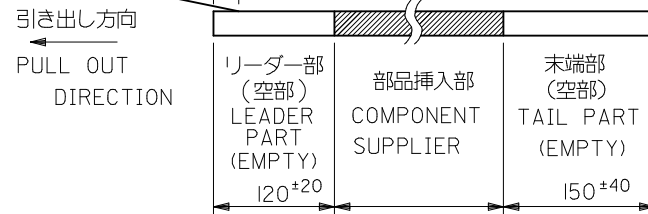
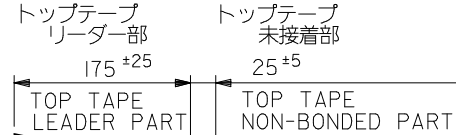
REVISED EC NO: J2013-1579 DRWN: NIINOUE01 2013/06/24 CHKD: HIJIMA 2013/06/24 APPR: YNOGAWA 2013/07/02	GENERAL TOLERANCES (UNLESS SPECIFIED)		DIMENSION STYLE MM ONLY		SCALE ---	52746-**-19 MODEL NO.	
	10 UNDER	±0.2	DRAWN BY T. UENO	DATE '03/12/12	TITLE	0.5 FPC CONN. ZIF SMT	
	10 OVER 30 UNDER	±0.25	CHECKED BY M. SASAO	DATE '03/12/12		R/A	
	30 OVER	±0.3	APPROVED BY M. SASAO	DATE '03/12/12		-LEAD FREE-	
	ANGULAR ±3 °	MATERIAL NO. SEE CHART 10F2		DOCUMENT NO. SD-52746-028	SHEET NO. 2 OF 2		
	DRAFT WHERE APPLICABLE MUST REMAIN WITHIN DIMENSIONS	THIS DRAWING CONTAINS INFORMATION THAT IS PROPRIETARY TO MOLEX INCORPORATED AND SHOULD NOT BE USED WITHOUT WRITTEN PERMISSION					

注記 NOTES

1. 製品番号 52746-**-19 の梱包状態はアクチュエータがロックした状態とする。
 詳細寸法については図面 SD-52746-028 を参照下さい。
 IN THE PACKAGE,ACTUATOR OF PART NO.52746-**-19 SHOULD BE LOCKED
 RE DETAILED DIMENSIONS,SEE SD-52746-028.

2. 梱包数量：1000個/リール
 NUMBER OF CONNECTORS:1000PCS/REEL

3. リードテープ長さ LEAD TAPE LENGTH

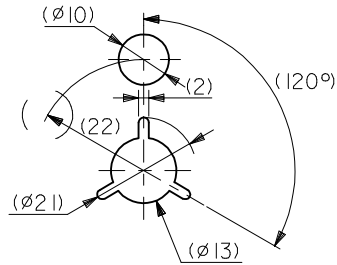
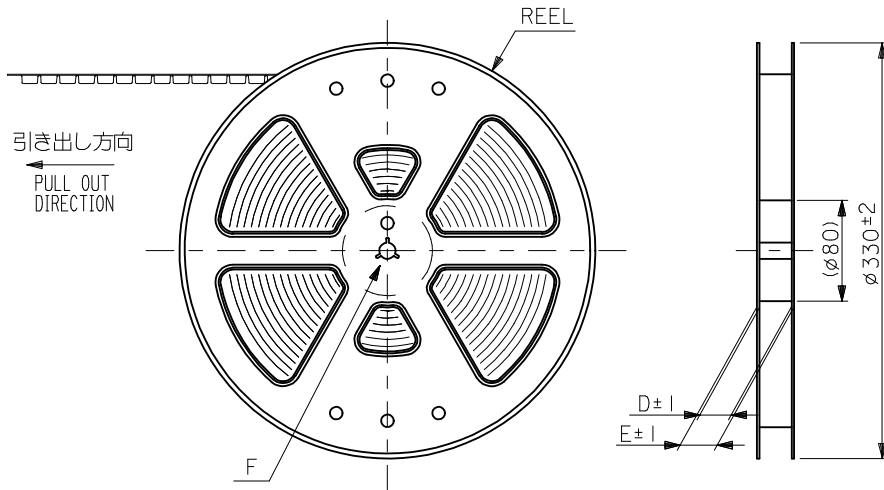


4. 材料 キャリアテープ：ポリプロピレン (PP)
 トップテープ：PET, PE, PEF
 リール：ポリスチレン (PS) <リサイクル材を含む>

MATERIAL CARRIER TAPE:POLYPROPYLENE
 TOP TAPE:PET,PE,PEF
 REEL:POLYSTYREN(PS)
 <RECYCLE MATERIAL CONTAINED>

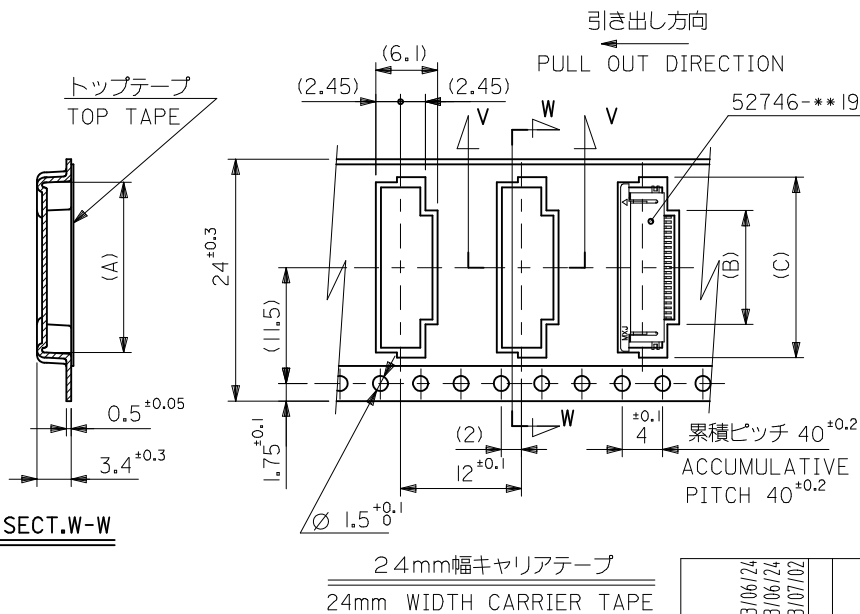
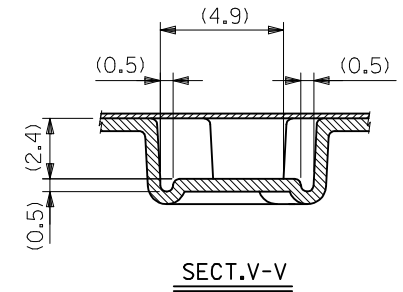
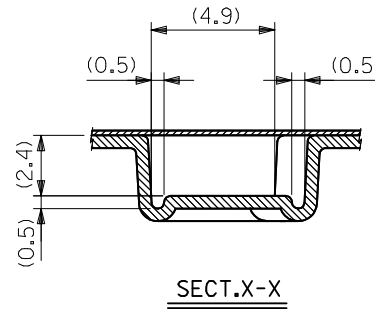
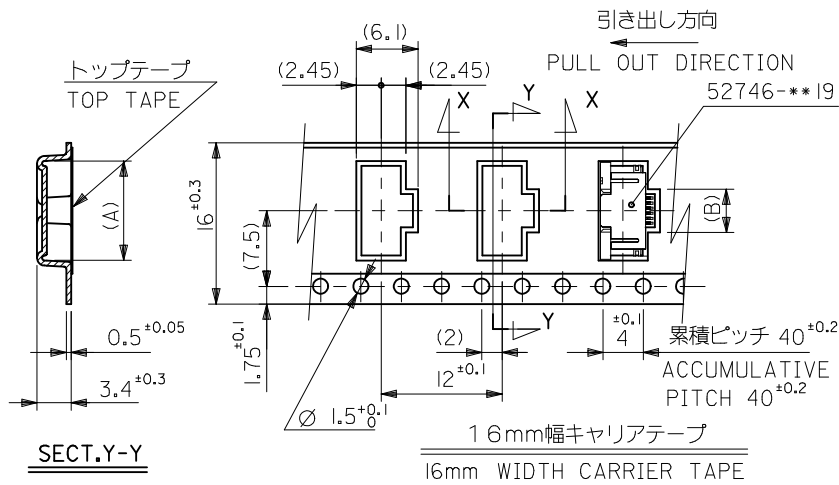
5. 本製品は 52746-**-90 の鉛フリー品です
 THIS PRODUCT IS LEAD FREE OF 52746-**-90

6. 本製品は乾燥剤入り、ハイバリア梱包仕様である。
 THIS PRODUCT IS HIGH BARRIER PACKAGE WITH DESICCANT.



DETAIL F

REVISED EC NO: J2013-1579 2013/06/24 DRAWN:INOUE01 2013/06/24 CHKD:H.IJIMA 2013/07/02 APPR:YNOGAWA	DESCRIPTION GENERAL TOLERANCES (UNLESS SPECIFIED)	10 UNDER	± ---	DRAWN BY T.UENO	DATE '03/12/12	TITLE 0.5 FPC CONN ZIF SMT RA -LEAD FREE- molex	52746-**-70	MODEL NO.
		10 OVER 30 UNDER	± ---	CHECKED BY M.SASAO	DATE '03/12/12		DESIGN UNITS METRIC	THIRD ANGLE PROJECTION
		30 OVER	± ---	APPROVED BY M.SASAO	DATE '03/12/12			
		ANGULAR	± --- °	MATERIAL NO. SEE CHART 20F2			DOCUMENT NO. SD-52746-029	SHEET NO. 1 OF 2
	DRAFT WHERE APPLICABLE MUST REMAIN WITHIN DIMENSIONS	SIZE A3		THIS DRAWING CONTAINS INFORMATION THAT IS PROPRIETARY TO MOLEX INCORPORATED AND SHOULD NOT BE USED WITHOUT WRITTEN PERMISSION				



24	29.4	25.4	17.4	10.8	16.4	52746-2070	20
			16.9	10.3	15.9	-1970	19
			16.4	9.8	15.4	-1870	18
			15.9	9.3	14.9	-1770	17
			15.4	8.8	14.4	-1670	16
			14.9	8.3	13.9	-1570	15
			14.4	7.8	13.4	-1470	14
			13.9	7.3	12.9	-1370	13
			13.4	6.8	12.4	-1270	12
			12.9	6.3	11.9	-1170	11
			12.4	5.8	11.4	-1070	10
			11.9	5.3	10.9	-0970	9
11.4	4.8	10.4	-0870	8			
10.9	4.3	9.9	-0770	7			
10.4	3.8	9.4	-0670	6			
16	21.4	17.4	2.8	8.4	52746-0470	4	
キャリアテープ幅 CARRIER TAPE WIDTH	E	D	(C)	(B)	(A)	MATERIAL NO.	極数 CIRCUITS

REVISED EC NO.: J2013-1579 DRWN: NINOUE01 2013/06/24 CHKD: H I J IMA 2013/06/24 APPR: YNOGAWA 2013/07/02	GENERAL TOLERANCES (UNLESS SPECIFIED)		DIMENSION STYLE MM ONLY		SCALE ---	DESIGN UNITS METRIC	MODEL NO. 52746-***70
	10 UNDER	± ---	DRAWN BY T. UENO	DATE '03/12/12	TITLE 0.5 FPC CONN ZIF SMT RA		
	10 OVER 30 UNDER	± ---	CHECKED BY M. SASAO	DATE '03/12/12	-LEAD FREE-		
	30 OVER	± ---	APPROVED BY M. SASAO	DATE '03/12/12	molex		
ANGULAR ± --- °		MATERIAL NO. SEE CHART		DOCUMENT NO. SD-52746-029	SHEET NO. 2 OF 2		
DRAFT WHERE APPLICABLE MUST REMAIN WITHIN DIMENSIONS		THIS DRAWING CONTAINS INFORMATION THAT IS PROPRIETARY TO MOLEX INCORPORATED AND SHOULD NOT BE USED WITHOUT WRITTEN PERMISSION					