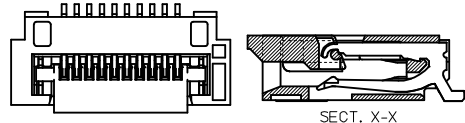
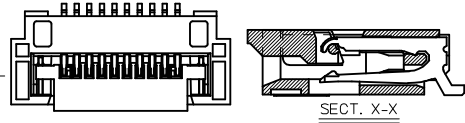
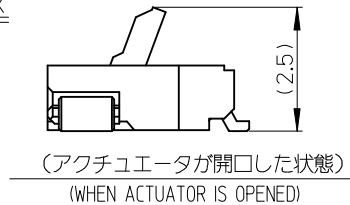
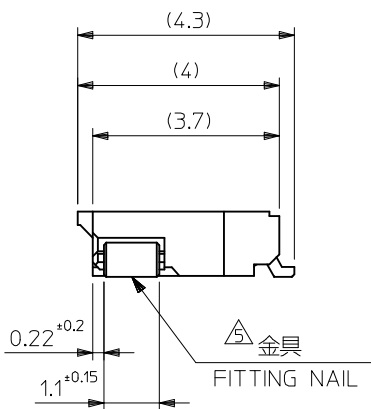


△ SECT. X-X



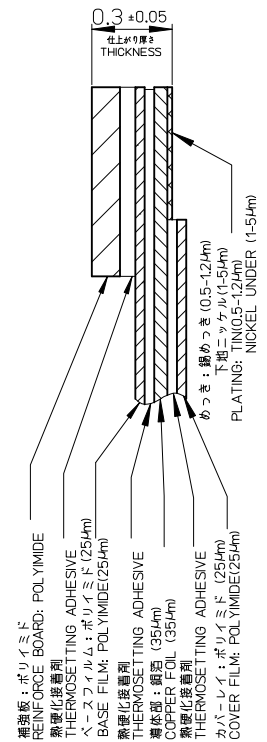
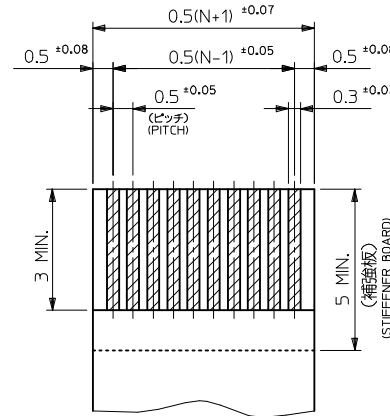
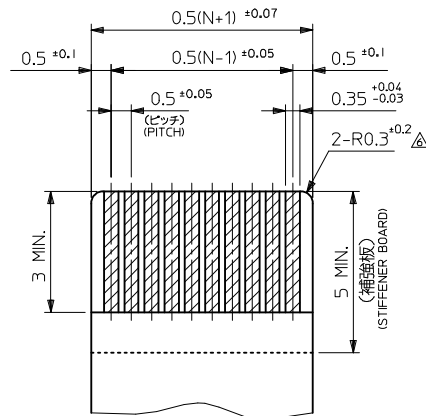
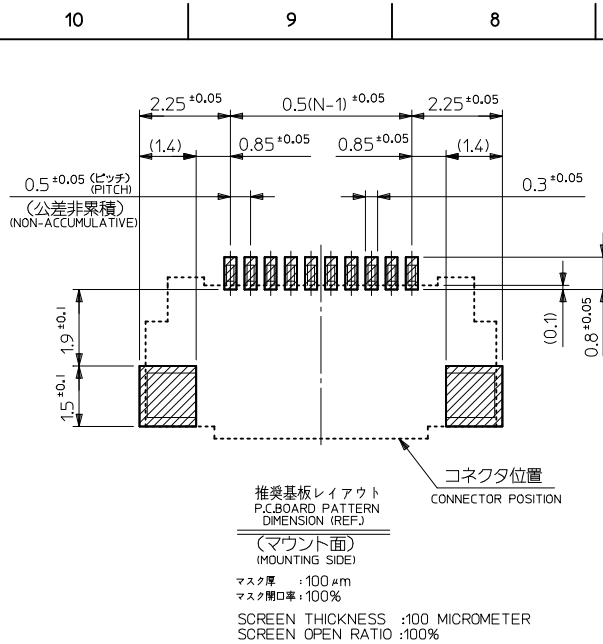
△ 外観形状
APPEARANCE FORM



30.3	30.5	32.6	29.5	33.7	51296-6033	60
27.3	27.5	29.6	26.5	30.7	51296-5433	54
25.3	25.5	27.6	24.5	28.7	51296-5033	50
22.8	23.0	25.1	22.0	26.2	51296-4533	45
20.3	20.5	22.6	19.5	23.7	51296-4033	40
17.3	17.5	19.6	16.5	20.7	51296-3433	34
9.3	9.5	11.6	8.5	12.7	51296-1833	18
7.3	7.5	9.6	6.5	10.7	51296-1433	14
6.3	6.5	8.6	5.5	9.7	51296-1233	12
4.3	4.5	6.6	3.5	7.7	51296-0833	8
E	D	C	B	A	EMBOSSED TAPE	極数
					ORDER No. オオーダー番号	Ckt

CONNECTOR SERIES NO. : 51296-**22

REVISED EC NO: J2014-0096 DRW: AISHII 2013/07/18 CHK: KTAKAHASHI 2013/07/18 APPR: YNOGAWA 2013/08/19	GENERAL TOLERANCES (UNLESS SPECIFIED)		DIMENSION STYLE MM ONLY		SCALE ---	DESIGN UNITS METRIC	THIRD ANGLE PROJECTION
	10 UNDER	± ---	DRAWN BY AISHII	DATE 2012/09/19	TITLE 0.5MM FPC CONN F/F E/O HOUSING ASSY		
	10 OVER 30 UNDER	± ---	CHECKED BY KTAKAHASHI	DATE 2012/09/19			
	30 OVER	± ---	APPROVED BY KMORIKAWA	DATE 2013/03/15			
ANGULAR	± --- °	MATERIAL NO.		DOCUMENT NO.	SHEET NO.		
DRAFT WHERE APPLICABLE MUST REMAIN WITHIN DIMENSIONS		SEE CHART		SD-51296-017		1 OF 2	
		THIS DRAWING CONTAINS INFORMATION THAT IS PROPRIETARY TO MOLEX INCORPORATED AND SHOULD NOT BE USED WITHOUT WRITTEN PERMISSION					



注記 NOTES

1. 使用材料 MATERIAL

- ハウジング : 液晶ポリマー(LCP), ベージュ, ガラス充填, UL94V-0
HOUSING LIQUID CRYSTAL POLYMER, BEIGE, GLASS FILLED, UL94V-0
- アクチュエータ : ポリアミド(PPS), 黒, ガラス充填, UL94V-0
ACTUATOR POLYAMIDE, BLACK, GLASS FILLED, UL94V-0
- ターミナル : リン青銅 (t=0.18)
TERMINAL PHOSPOR BRONZE
- 金具 : リン青銅 (t=0.15)
FITTING NAIL PHOSPOR BRONZE

2. メッキ仕様 PLATING

- ターミナル TERMINAL
 - 鍍銀ビスマスマッキ (1.0μm以上)
 - TIN SILVER BISMUTH PLATING (1.0 MICROMETER MINIMUM)
 - 下地 : ニッケルめっき(1.0μm以上)
 - UNDER PLATING: NICKEL PLATING (1.0 MICROMETER MINIMUM)
- 金具 FITTING NAIL
 - 鍍メッキ (1.0μm以上)
 - TIN PLATING (1.0 MICROMETER MINIMUM)
 - 下地 : ニッケルめっき(1.0μm以上)
 - UNDER PLATING: NICKEL PLATING (1.0 MICROMETER MINIMUM)

3. エンボステップ梱包時は、アクチュエータが閉じた状態とする。
IN THE PACKAGE, ACTUATOR SHOULD BE CLOSED.

- 偶数極に適用。
APPLY FOR EVEN CIRCUIT.
- パターンはくり止め用金具
FITTING NAIL FOR PREVENTION OF PEELING OF PCB PATTERN.
- R0.3は、FPC導体部にかからないこと。
R0.3 MUST NOT BE OVERLAPPED TO PATTERN OF FPC.
- 極数によりハウジング形状が異なるので注意のこと。
THE HOUSING SHAPE IS DIFFERENT ACCORDING TO THE CIRCUIT.
- テール及び金具の平坦度は、0.1ミリメートル以下とする。
TAIL AND FITTING NAIL COPLANARITY TO BE 0.1 MILLIMETERS.
- ELV及びRoHS適合品
ELV AND RoHS COMPLIANT

FPCについて:

- 抜き方向は、導体側から補強板側を推奨致します。
- 補強フィルム材質は、ポリイミドを推奨致します。
- 接着剤は熱硬化接着剤を推奨します。
- 尚、接着剤の接点部への付着は導通不良の原因になりますので、
- 染み出しが無い様お願い致します。

ABOUT FPC:

- RECOMMENDED PUNCHER DIRECTION:
FROM CONDUCTOR SIDE TO STIFFENER SIDE
- RECOMMENDED MATERIAL : STIFFENER FILM POLYIMIDE
- BONDING AGENT : THERMOSETTING AGENT
- PLEASE PUT APPROPRIATE AMOUNT OF ADHESIVE ON ADHEREND
BECAUSE THERE IS A POSSIBILITY THAT THE EXTRA ADHESIVE
CAUSES THE DEFECT IN ELECTRICAL CONTINUITY.

FFC/FPCについて:

- 打抜き方向は導体側から補強板側を推奨致します。
- 導体部については軟銅箔35μmまたは50μmを推奨致します。

ABOUT FFC/FPC:

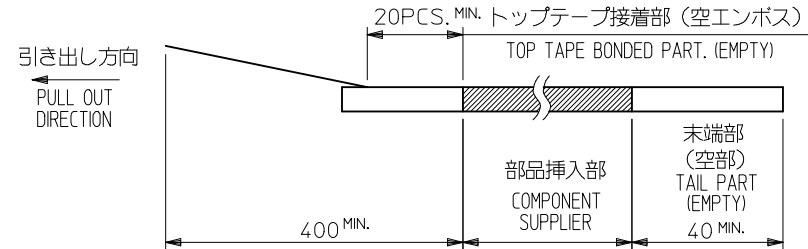
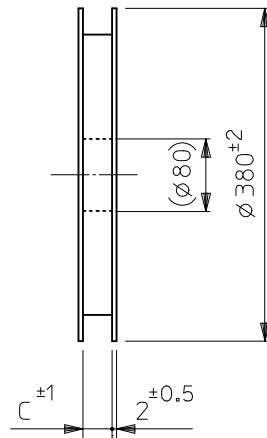
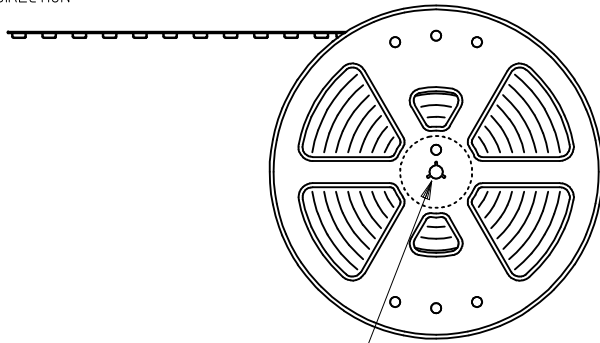
- RECOMMENDED PUNCHER DIRECTION:
FROM CONDUCTOR SIDE TO STIFFENER FILM SIDE.
- RECOMMENDED CONDUCTOR SPECIFICATION:
THICKNESS OF SOFT COPPER FOIL: 35MICROMETER OR 50 MICROMETER

SEE SHEET 1 OF 2 EC NO: J2014-0096 DRAWN: AISHI 2013/07/18 CHKD: TAKAHASHI 2013/07/18 APPR: YNOGAWA 2013/08/19	DESCRIPTION	GENERAL TOLERANCES (UNLESS SPECIFIED)		DIMENSION STYLE MM ONLY		SCALE ---	DESIGN UNITS METRIC	THIRD ANGLE PROJECTION	
		10 UNDER	± ---	DRAWN BY AISHI	DATE 2012/09/19	TITLE 0.5MM FPC CONN F/F E/O HOUSING ASSY			
		10 OVER 30 UNDER	± ---	CHECKED BY TAKAHASHI	DATE 2012/09/19				
		30 OVER	± ---	APPROVED BY KMORIKAWA	DATE 2013/03/15				
B	REV	ANGULAR ± --- °	DRAFT WHERE APPLICABLE MUST REMAIN WITHIN DIMENSIONS	SIZE A3	THIS DRAWING CONTAINS INFORMATION THAT IS PROPRIETARY TO MOLEX INCORPORATED AND SHOULD NOT BE USED WITHOUT WRITTEN PERMISSION		MATERIAL NO. SEE SHEET1	DOCUMENT NO. SD-51296-017	SHEET NO. 2 OF 2

NOTES

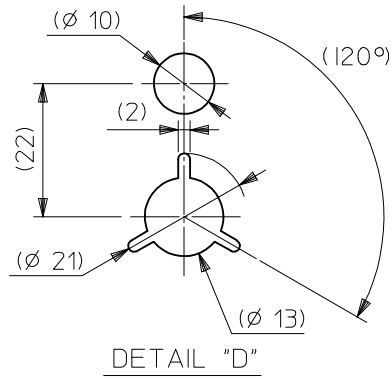
- 製品詳細寸法については図面 SD-51296-017 を参照下さい。
RE DETAILED DIMENSION, SEE SD-51296-017.
- 梱包数量：3000個/リール
NUMBER OF CONNECTORS : 3000PCS/REEL
- リードテープ長さ LEAD TAPE LENGTH

引き出し方向
PULL OUT DIRECTION



- カバーテープの剥離強度については、IEC60286-3に準拠
COVER TAPE PEEL FORCE IS DEFINED BY IEC 60286-3.
- 材料
MATERIAL
キャリアテープ：ポリスチレン (PS)
CARRIER TAPE: POLYSTYRENE (PS)
トップテープ：ポリスチレン (PS)
TOP TAPE : POLYSTYRENE (PS)
リール：ポリスチレン (PS)
REEL: POLYSTYRENE
- ELV及びRoHS適合品
ELV AND RoHS COMPLIANT

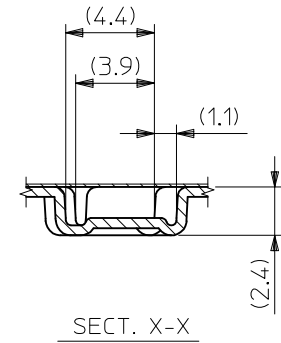
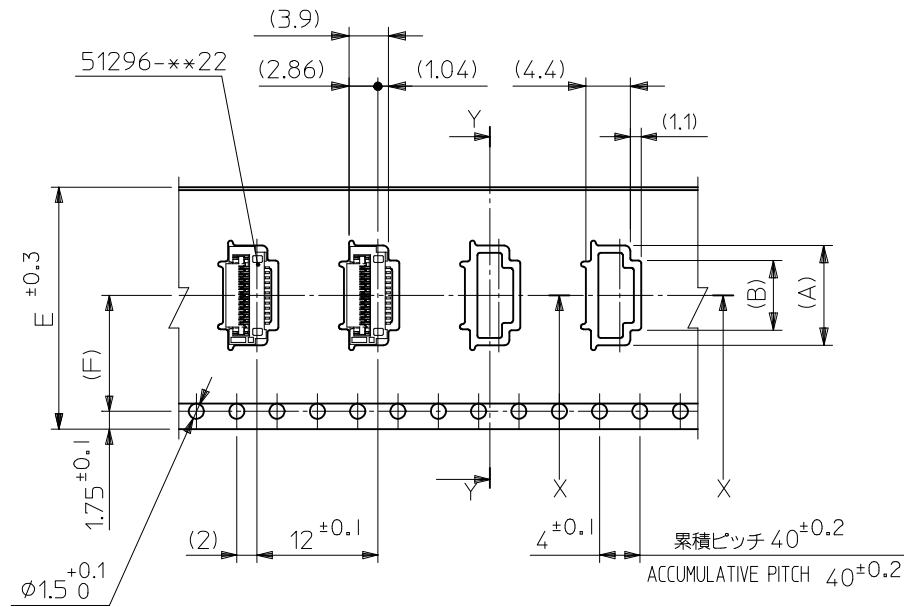
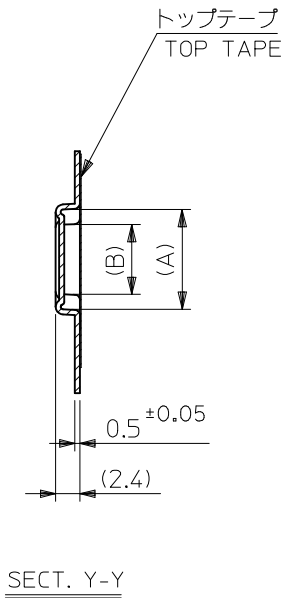
"D"



DETAIL "D"

RELEASED EC NO: J2013-1002 2012/09/19 DRW: AISHII 2012/09/19 CHKD: TAKAHASHI 2012/09/19 APP: KMORIKAWA 2013/03/15	DESCRIPTION REV 0	GENERAL TOLERANCES (UNLESS SPECIFIED)		DIMENSION STYLE MM ONLY		SCALE ---	DESIGN UNITS METRIC	THIRD ANGLE PROJECTION		
		10 UNDER	± ---	DRAWN BY AISHII	DATE 2012/09/19	TITLE EMBOSS TAPE PACKAGED FOR 0.5MM FPC CONN F/F E/O HOUSING ASSY				
		10 OVER 30 UNDER	± ---	CHECKED BY TAKAHASHI	DATE 2012/09/19					
		30 OVER	± ---	APPROVED BY KMORIKAWA	DATE 2013/03/15					
ANGULAR ± --- °		DRAFT WHERE APPLICABLE MUST REMAIN WITHIN DIMENSIONS		MATERIAL NO. SEE CHART		DOCUMENT NO. SD-51296-018		SHEET NO. 1 OF 3		
THIS DRAWING CONTAINS INFORMATION THAT IS PROPRIETARY TO MOLEX INCORPORATED AND SHOULD NOT BE USED WITHOUT WRITTEN PERMISSION										

引き出し方向
PULL OUT DIRECTION

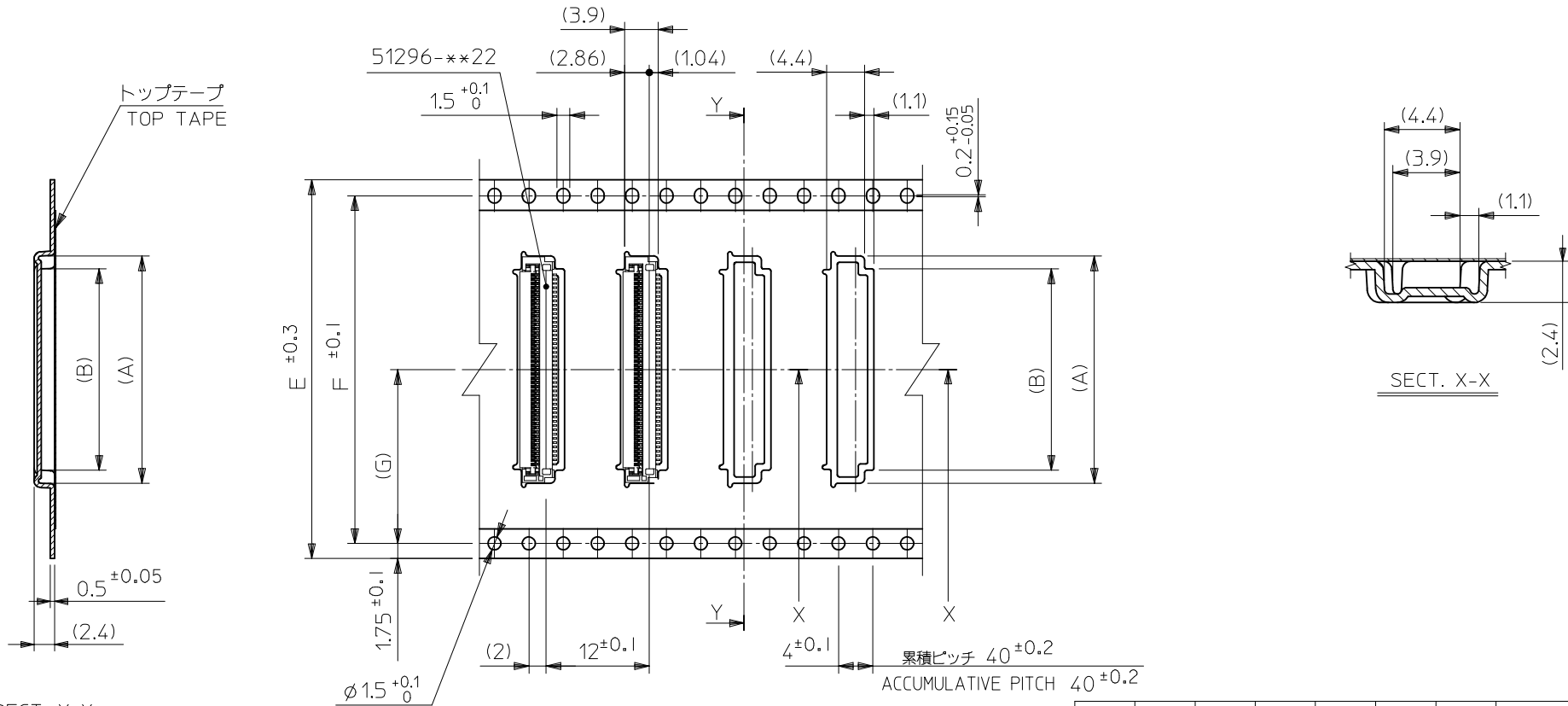


11.5	24	25.4	29.4	9.89	12.9	51296-1833	18
				7.89	10.9	51296-1433	14
				6.89	9.9	51296-1233	12
7.5	16	17.4	21.4	4.89	7.9	51296-0833	8
(F)	E	D	C	(B)	(A)	製品番号 MATERIAL No	極数 Ckt

SEE SHEET 1 OF 3 EC NO: J2013-1002 DRW: AISHII 2012/09/19 CHKD: KTAKAHASHI 2012/09/19 APPR: KMORIKAWA 2013/03/15	DESCRIPTION REV O	GENERAL TOLERANCES (UNLESS SPECIFIED)		DIMENSION STYLE MM ONLY		SCALE ---	DESIGN UNITS METRIC	THIRD ANGLE PROJECTION		
		10 UNDER	± ---	DRAWN BY AISHII	DATE 2012/09/19	TITLE EMBOSS TAPE PACKAGED FOR 0.5MM FPC CONN F/F E/O HOUSING ASSY				
		10 OVER 30 UNDER	± ---	CHECKED BY KTAKAHASHI	DATE 2012/09/19					
		30 OVER	± ---	APPROVED BY KMORIKAWA	DATE 2013/03/15					
ANGULAR ± --- °		DRAFT WHERE APPLICABLE MUST REMAIN WITHIN DIMENSIONS		MATERIAL NO. SEE CHART		DOCUMENT NO. SD-51296-018		SHEET NO. 2 OF 3		
THIS DRAWING CONTAINS INFORMATION THAT IS PROPRIETARY TO MOLEX INCORPORATED AND SHOULD NOT BE USED WITHOUT WRITTEN PERMISSION										

10 9 8 7 6 5 4 3 2 1

引き出し方向
PULL OUT DIRECTION



SECT. Y-Y

SECT. X-X

26.2	52.4	56	57.4	61.4	30.89	33.9	51296-6033	60
					27.89	30.9	51296-5433	54
20.2	40.4	44	45.4	49.4	25.89	28.9	51296-5033	50
					23.39	26.4	51296-4533	45
					20.89	23.9	51296-4033	40
14.2	28.4	32	33.4	37.4	17.89	20.9	51296-3433	34
(G)	F	E	D	C	(B)	(A)	製品番号 MATERIAL No	極数 Ckt

SEE SHEET 1 OF 3 EC NO: J2013-1002 DRWN: AISHII 2012/09/19 CHKD: TAKAHASHI 2012/09/19 APPR: KMORIKAWA 2013/03/15	GENERAL TOLERANCES (UNLESS SPECIFIED)		DIMENSION STYLE MM ONLY		SCALE ---	DESIGN UNITS METRIC	THIRD ANGLE PROJECTION	
	10 UNDER	± ---	DRAWN BY AISHII		DATE 2012/09/19		TITLE EMBOSS TAPE PACKAGED FOR 0.5MM FPC CONN F/F E/O HOUSING ASSY molex	
	10 OVER 30 UNDER	± ---	CHECKED BY TAKAHASHI		DATE 2012/09/19			
	30 OVER	± ---	APPROVED BY KMORIKAWA		DATE 2013/03/15			
ANGULAR ± --- °		DRAFT WHERE APPLICABLE MUST REMAIN WITHIN DIMENSIONS		MATERIAL NO. SEE CHART		DOCUMENT NO. SD-51296-018		SHEET NO. 3 OF 3
THIS DRAWING CONTAINS INFORMATION THAT IS PROPRIETARY TO MOLEX INCORPORATED AND SHOULD NOT BE USED WITHOUT WRITTEN PERMISSION								

9 8 7 6 5 4 3 2