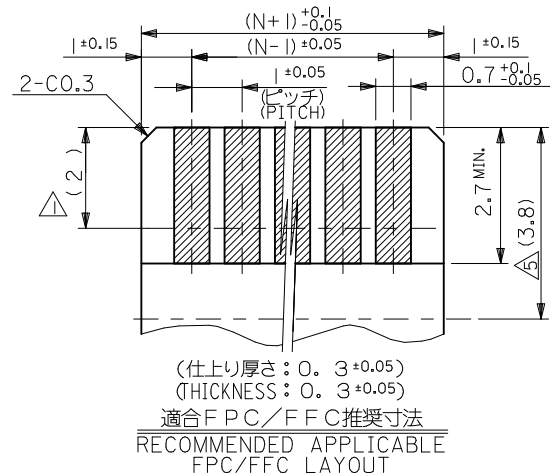
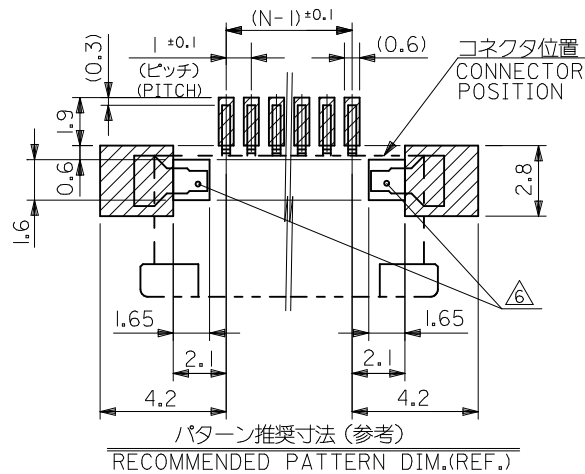


| | | | | |
|------|------|----|------------------|----------|
| 38.7 | 35.2 | 33 | 52207-3485 | 34 |
| 34.7 | 31.2 | 29 | 52207-3085 | 30 |
| 33.7 | 30.2 | 28 | 52207-2985 | 29 |
| 32.7 | 29.2 | 27 | 52207-2885 | 28 |
| 31.7 | 28.2 | 26 | 52207-2785 | 27 |
| 30.7 | 27.2 | 25 | 52207-2685 | 26 |
| 29.7 | 26.2 | 24 | 52207-2585 | 25 |
| 28.7 | 25.2 | 23 | 52207-2485 | 24 |
| 27.7 | 24.2 | 22 | 52207-2385 | 23 |
| 26.7 | 23.2 | 21 | 52207-2285 | 22 |
| 25.7 | 22.2 | 20 | 52207-2185 | 21 |
| 24.7 | 21.2 | 19 | 52207-2085 | 20 |
| 23.7 | 20.2 | 18 | 52207-1985 | 19 |
| 22.7 | 19.2 | 17 | 52207-1885 | 18 |
| 21.7 | 18.2 | 16 | 52207-1785 | 17 |
| 20.7 | 17.2 | 15 | 52207-1685 | 16 |
| 19.7 | 16.2 | 14 | 52207-1585 | 15 |
| 18.7 | 15.2 | 13 | 52207-1485 | 14 |
| 17.7 | 14.2 | 12 | 52207-1385 | 13 |
| 16.7 | 13.2 | 11 | 52207-1285 | 12 |
| 15.7 | 12.2 | 10 | 52207-1185 | 11 |
| 14.7 | 11.2 | 9 | 52207-1085 | 10 |
| 13.7 | 10.2 | 8 | 52207-0985 | 9 |
| 12.7 | 9.2 | 7 | 52207-0885 | 8 |
| 11.7 | 8.2 | 6 | 52207-0785 | 7 |
| 10.7 | 7.2 | 5 | 52207-0685 | 6 |
| 9.7 | 6.2 | 4 | 52207-0585 | 5 |
| 8.7 | 5.2 | 3 | 52207-0485 | 4 |
| 7.7 | 4.2 | 2 | 52207-0385 | 3 |
| C | B | A | EMBOSSED PACKAGE | 極数 |
| | | | オーダー番号 ORDER NO. | CIRCUITS |

CONNECTOR SERIES NO. 52207-***19

| | | | | | | | |
|---|--|---------------------------|----------------------------|---|--|------------------------|------------------------|
| REVISED EC NO: J2011-0135 DRWN: SANUMA 2010/07/26 CHKD: TAKAHASHI 2010/07/27 APPR: KMORIKAWA 2010/07/28 | GENERAL TOLERANCES (UNLESS SPECIFIED) | | DIMENSION STYLE MM ONLY | | SCALE --- | DESIGN UNITS METRIC | THIRD ANGLE PROJECTION |
| | 10 UNDER | ±0.2 | DRAWN BY MNINOMIY | DATE '04/02/06 | TITLE 1.0 PITCH FPC CONN. ZIF SMT -LEAD FREE- | | |
| | 10 OVER 30 UNDER | ±0.25 | CHECKED BY KTOJO | DATE '04/02/06 | MOLEX INCORPORATED | | |
| | 30 OVER | ±0.3 | APPROVED BY MSASAO | DATE '04/02/06 | DOCUMENT NO. SD-52207-060 | SHEET NO. 1 OF 2 | |
| | ANGULAR ±3 ° | MATERIAL NO. SEE TABLE | | THIS DRAWING CONTAINS INFORMATION THAT IS PROPRIETARY TO MOLEX INCORPORATED AND SHOULD NOT BE USED WITHOUT WRITTEN PERMISSION | | | |
| | DRAFT WHERE APPLICABLE MUST REMAIN WITHIN DIMENSIONS | | SIZE A3 | | | | |

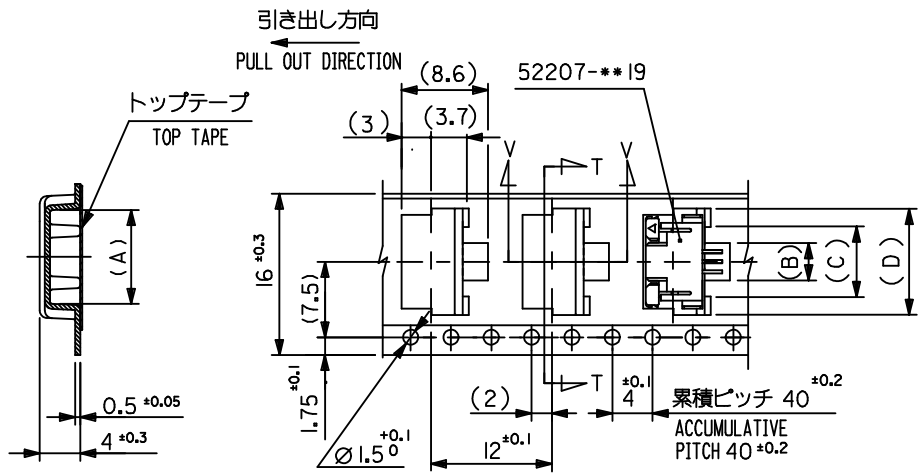


注記 NOTES

- △ 接点部までの嵌合長さ。
LENGTH TO CONTACT POINT.
- 2. 使用材料 MATERIAL
 - ハウジング : 46ナイロン (耐熱性), UL94V-0
 - HOUSING : 46NYLON, UL94V-0
 - アクチュエータ : PPS, UL94V-0
 - ACTUATOR : PPS, UL94V-0
 - ターミナル : 銅
 - TERMINAL : PHOSPHOR BRONZE
 - 錫・ピスマスメッキ 1.0マイクロメートル以上
 - TIN BISMUTH 1.0 MICROMETER MINIMUM
 - ニッケル下地 1.0マイクロメートル以上
 - NICKEL(UNDER PLATING) 1.0 MICROMETER MINIMUM
 - 銅合金
 - COPPER ALLOY
 - 錫メッキ 1.0マイクロメートル以上
 - TIN 1.0 MICROMETER MINIMUM
 - ニッケル下地 1.0マイクロメートル以上
 - NICKEL(UNDER PLATING) 1.0 MICROMETER MINIMUM
- 金具 FITTING NAIL
 - 銅合金
 - COPPER ALLOY
 - 錫メッキ 1.0マイクロメートル以上
 - TIN 1.0 MICROMETER MINIMUM
 - ニッケル下地 1.0マイクロメートル以上
 - NICKEL(UNDER PLATING) 1.0 MICROMETER MINIMUM
- △ パターンはくり止め用金具
FITTING NAIL FOR PREVENTION OF PEELING OF P.C.B.PATTERN.
- 4. エンボスタープ梱包時は、アクチュエータがロックした状態とする。
IN THE PACKAGE, ACTUATOR OF PART NO. 52207-**-19 SHOULD BE LOCKED.
- △ ケーブル挿入深さ
INSERTION DEPTH OF CABLE.
- △ パターン書き込み禁止エリア。
NO FOOT PRINT AREA.
- 7. 本製品は 52207-**-17 の鉛フリー品である。
THIS PRODUCT IS LEAD FREE OF 52207-**-17.
- 8. ELV及びRoHS適合品
ELV AND ROHS COMPLIANT

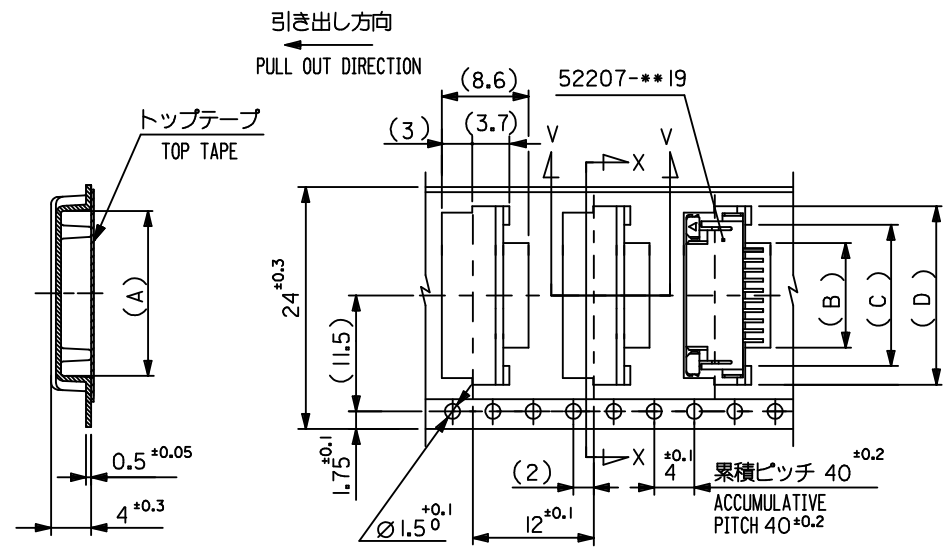
FPCについて:
 打抜き方向は導体側から補強板を推奨致します。
 補強フィルム材質はポリイミドを推奨致します。
 接着剤は熱硬化接着剤を推奨致します。
 ABOUT FPC:
 RECOMMENDED PUNCHER DIRECTION : FROM CONDUCTOR SIDE TO STIFFENER BOARD SIDE.
 RECOMMENDED MATERIAL :
 STIFFENER FILM : POLYIMIDE
 BONDING AGENT : THERMOSETTING BONDING AGENT

| | | | | | | | | | |
|--|-------------|--|-------|----------------------------|-------------------|---|------------------------|------------------------------|---------------------|
| SEE SHEET 1 EC NO: J2011-0135 DRWN:NASUNUMA 2010/07/26 CHKD:KAKAHASHI 2010/07/27 APPR:KMORIKAWA 2010/07/28 | DESCRIPTION | GENERAL TOLERANCES (UNLESS SPECIFIED) | | DIMENSION STYLE MM ONLY | | SCALE --- | DESIGN UNITS METRIC | THIRD ANGLE PROJECTION | |
| | | 10 UNDER | ±0.2 | DRAWN BY MNINOMIY | DATE '04/02/06 | TITLE 1.0 PITCH FPC CONN ZIF SMT -LEAD FREE- | | | |
| | | 10 OVER 30 UNDER | ±0.25 | CHECKED BY KTOJO | DATE '04/02/06 | MOLEX INCORPORATED | | | |
| | | 30 OVER | ±0.3 | APPROVED BY MSASAO | DATE '04/02/06 | | | DOCUMENT NO. SD-52207-060 | SHEET NO. 2 OF 2 |
| ANGULAR ±3 ° | | DRAFT WHERE APPLICABLE MUST REMAIN WITHIN DIMENSIONS | | SIZE A3 | | THIS DRAWING CONTAINS INFORMATION THAT IS PROPRIETARY TO MOLEX INCORPORATED AND SHOULD NOT BE USED WITHOUT WRITTEN PERMISSION | | | |



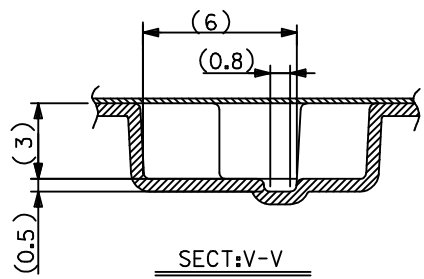
SECT:T-T

16mm 幅 キャリアテープ
16mm WIDTH CARRIER TAPE



SECT:X-X

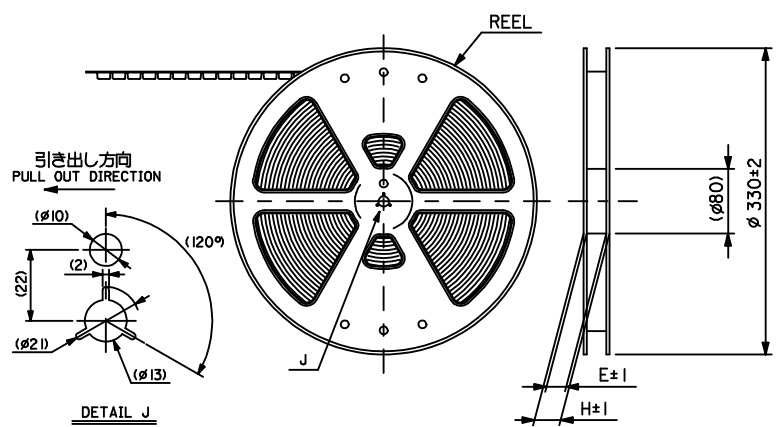
24mm 幅 キャリアテープ
24mm WIDTH CARRIER TAPE



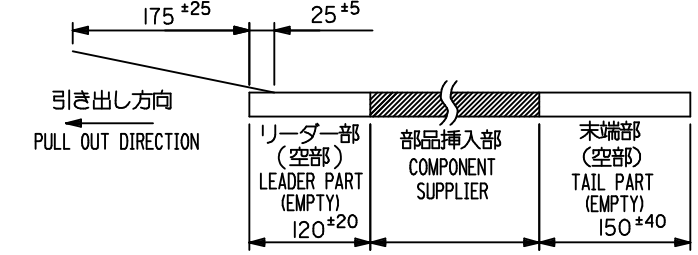
SECT:V-V

| | | | | | | | | | |
|-------------|--------------------------------|------|------|------|------|------|------------|--------------|------------|
| 24 | 29.4 | 25.4 | 18.5 | 15 | 11.7 | 17.3 | 52207-1185 | 11 | |
| | | | 17.5 | 14 | 10.7 | 16.3 | 4 -1085 | 10 | |
| | | | 16.5 | 13 | 9.7 | 15.3 | -0985 | 9 | |
| | | | 15.5 | 12 | 8.7 | 14.3 | -0885 | 8 | |
| | | | 14.5 | 11 | 7.7 | 13.3 | -0785 | 7 | |
| | | | 13.5 | 10 | 6.7 | 12.3 | -0685 | 6 | |
| | | | 12.5 | 9 | 5.7 | 11.3 | -0585 | 5 | |
| | | | 11.5 | 8 | 4.7 | 10.3 | 7 -0485 | 4 | |
| 52207-***85 | 16 | 21.4 | 17.4 | 10.5 | 7 | 3.7 | 9.3 | 52207-0385 | 3 |
| MODEL NO. | キャリアテープ幅 CARRIER TAPE WIDTH | H | E | (D) | (C) | (B) | (A) | MATERIAL NO. | 極致 CKT. |

| | | | | | | | | |
|---|---------------------------------------|-------|--|--------------------|---|------------------------|------------------------|--|
| REVISED EC NO.: J2009-2061 DRWN:TKON 2009/05/20 CHKD:HMATSUMOTO 2009/05/21 APPR:NIKI ITA 2009/05/21 | GENERAL TOLERANCES (UNLESS SPECIFIED) | | DIMENSION STYLE MM ONLY | | SCALE --- | DESIGN UNITS METRIC | THIRD ANGLE PROJECTION | |
| | 10 UNDER | ±0.2 | DRAWN BY M. NINOMIYA | DATE 2004/02/06 | TITLE EMBOSSD TAPE PACKAGE FOR 52207-***19 -LEAD FREE- | | | |
| | 10 OVER 30 UNDER | ±0.25 | CHECKED BY K. TOJO | DATE 2004/02/06 | MOLEX INCORPORATED | | | |
| | 30 OVER | ±0.3 | APPROVED BY M. SASAO | DATE 2004/02/06 | DOCUMENT NO. SD-52207-061 | | | |
| | ANGULAR ±3° | | DRAFT WHERE APPLICABLE MUST REMAIN WITHIN DIMENSIONS | | MATERIAL NO. SEE TABLE | | SHEET NO. 1 OF 3 | |

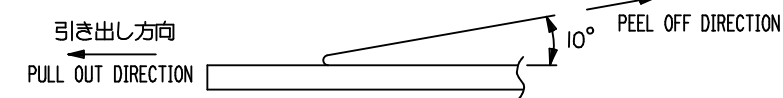


- 注記**
- 製品番号 52207-**-19 の梱包状態はアクチュエータがロックした状態とする。
 詳細寸法については図面 SD-52207-060 を参照下さい。
 IN THE PACKAGE, ACTUATOR OF PART NO. 52207-**-19 SHOULD BE LOCKED
 RE DETAILED DIMENSIONS, SEE SD-52207-060
 - 梱包数量：1000個/リール
 NUMBER OF CONNECTORS：1000PCS/REEL
 - リードテープ長さ(LEAD TAPE LENGTH)

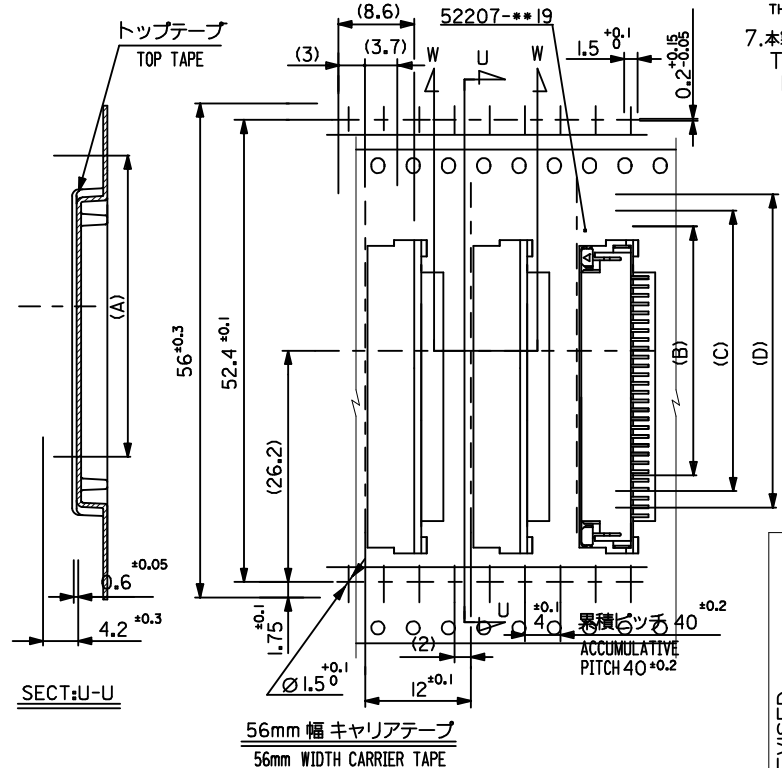


- 本製品は 52207-**-90 の鉛フリー品である。
 THIS PRODUCT IS LEAD FREE OF 52207-**-90.
- 本製品は乾燥剤入り、ハイバリア梱包仕様である。
 THIS PRODUCT IS HIGH BARRIER
 PACKAGE WITH DESICCANT.

- トップテープの剥離強度：(剥離方向は下図参照)
 0.1N ~ 1.3N(10gf ~ 130gf)MAX.尚、本規格値は、出荷時に適用。
 (但し、輸送時に剥離が発生しない事。)
 PEELING OFF FORCE OF TOP TAPE :0.1N ~ 1.3N(10gf ~ 130gf) MAX.
 (PEELING DIRECTION AS SHOWN IN FOLLOWING FIG.)
 THIS REQUIREMENT SHOULD BE APPLIED AT SHIPMENT. (PEEL OFF SHOULD NOT BE ALLOWED ,
 DURING TRANSPORTATION.)



- 材料 (MATERIAL)
 キャリアテープ (CARRIER TAPE)：ポリプロピレン (POLYPROPYLENE)
 トップテープ (TOP TAPE)：PET, PE, PEF
 リール (REEL)：ポリスチレン (PS) <リサイクル材を含む>
 POLYSTYRENE (PS) <RECYCLE MATERIAL CONTAINED>



| | | | | | | | | | | | |
|-------------|-----------|--------------------|----|------|------|------|-----|------|--------------|------------|------|
| 52207-**-85 | MODEL NO. | キャリアテープ幅 | 56 | 61.4 | 57.4 | 41.5 | 38 | 34.7 | 40.35 | 52207-3485 | 34 |
| | | CARRIER TAPE WIDTH | H | E | (D) | (C) | (B) | (A) | MATERIAL NO. | 極致 | |
| | | | | | | | | | | | CKT. |
| | | | | | | | | | | | |

| | | | | | | | | | | | |
|--|-------------|---------------------------------------|--|---|--|---|--|--------------------|--|------------------------|--|
| REVISED EC NO: J2009-2061 DRWN:TKON 2009/05/20 CHKD:MATSUMOTO 2009/05/21 APPR:NIKIITA 2009/05/21 | DESCRIPTION | GENERAL TOLERANCES (UNLESS SPECIFIED) | | DIMENSION STYLE | | SCALE | | DESIGN UNITS | | THIRD ANGLE PROJECTION | |
| | | | | MM ONLY | | --- | | METRIC | | ◎ □ | |
| | | 10 UNDER ±0.2 | | DRAWN BY DATE | | TITLE | | | | | |
| | | 10 OVER 30 UNDER ±0.25 | | M. NINOMIYA 2004/02/06 | | EMBOSSED TAPE PACKAGE FOR 52207-**-19 -LEAD FREE- | | | | | |
| 30 OVER ±0.3 | | CHECKED BY DATE | | M. SASAO 2004/02/06 | | molex | | MOLEX INCORPORATED | | SHEET NO. | |
| ANGULAR ±3 | | APPROVED BY DATE | | MATERIAL NO. | | DOCUMENT NO. | | SD-52207-061 | | 3 OF 3 | |
| DRAFT WHERE APPLICABLE MUST REMAIN WITHIN DIMENSIONS | | SIZE | | SEE TABLE | | | | | | | |
| | | A3 | | THIS DRAWING CONTAINS INFORMATION THAT IS PROPRIETARY TO MOLEX INCORPORATED AND SHOULD NOT BE USED WITHOUT WRITTEN PERMISSION | | | | | | | |