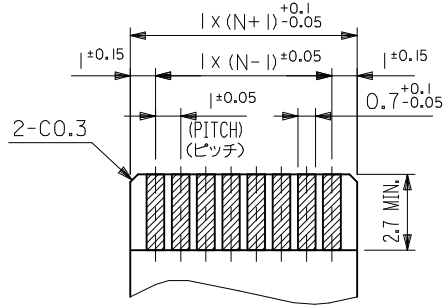
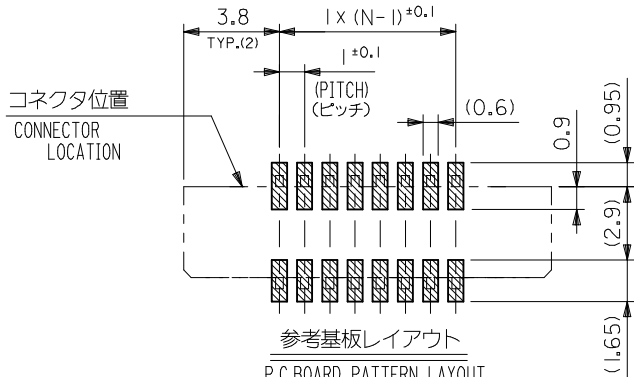


REVISED EC NO: J2014-0169 2013/07/25 DRWN: INOUE01 2013/07/29 CHKD: HIJIMA 2013/08/05 APPR: YNOGAWA	GENERAL TOLERANCES (UNLESS SPECIFIED)		DIMENSION STYLE MM ONLY	SCALE ---	DESIGN UNITS METRIC	THIRD ANGLE PROJECTION
	10 UNDER	±0.2	DRAWN BY H. SHIMABUKUR	DATE '04/31/17	TITLE 1.0 FPC CONN ZIF FOR SMT (ST) WITH TAPE -LEAD FREE-	
	10 OVER 30 UNDER	±0.25	CHECKED BY K. TOJO	DATE '04/31/17	molex DOCUMENT NO. SD-52610-034 SHEET NO. 1 OF 2	
	30 OVER	±0.3	APPROVED BY M. SASAO	DATE '04/31/17		
ANGULAR	±3 °	MATERIAL NO. SEE CHART		THIS DRAWING CONTAINS INFORMATION THAT IS PROPRIETARY TO MOLEX INCORPORATED AND SHOULD NOT BE USED WITHOUT WRITTEN PERMISSION		
DRAFT WHERE APPLICABLE MUST REMAIN WITHIN DIMENSIONS		SIZE A3				



適合FPC推奨寸法
APPLICABLE FPC RECOMMENDED DIM.
仕上がり厚さ(THICKNESS): 0.3 ±0.05



参考基板レイアウト
P.C. BOARD PATTERN LAYOUT
(REFERENCE)

注記 (NOTES):

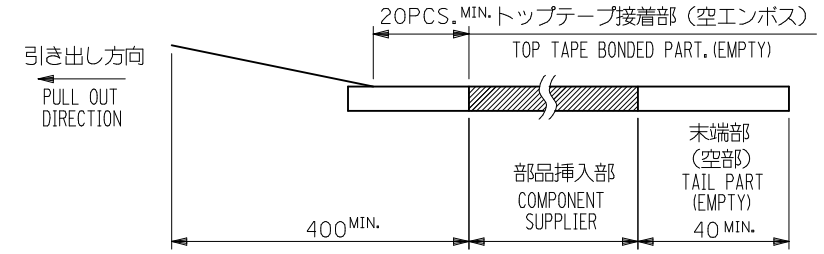
- 材料 (MATERIAL)
ハウジング (HOUSING): 46NYLON, UL94V-0
アクチュエータ (ACTUATOR): PPS, UL94V-0
ターミナル (TERMINAL): リン青銅, ニッケル下地, 錫-ビスマスメッキ (t0.32)
PHOS-BRO. TIN-BISMUTH OVER NICKEL PLATED (A)
- エンボステーブ梱包時は、アクチュエータがロックした状態とする。
IN THE PACKAGE, ACTUATOR OF PART NO. 52610-**59 SHOULD BE LOCKED.
3. ソルダータール半田付け面のズレ量は、基準面 [F] に対し上方向 0.05 MAX., 下方向 0.15 MAX. とする。
MISALIGNMENT OF SOLDER TAILS FROM [F] UPPER DIRECTION: 0.05 MAX., LOWER DIRECTION: 0.15 MAX.
4. 偶数極に適用。
APPLY FOR EVEN CIRCUIT.
5. 本製品は 52610-**57 の鉛フリー品である。
THIS PRODUCT IS LEAD FREE OF 52610-**57

36.6	34.85	31.2	29	52610-3059	30
35.6	33.85	30.2	28	-2959	29
34.6	32.85	29.2	27	-2859	28
33.6	31.85	28.2	26	-2759	27
32.6	30.85	27.2	25	-2659	26
31.6	29.85	26.2	24	-2559	25
30.6	28.85	25.2	23	-2459	24
29.6	27.85	24.2	22	-2359	23
28.6	26.85	23.2	21	-2259	22
27.6	25.85	22.2	20	-2159	21
26.6	24.85	21.2	19	-2059	20
25.6	23.85	20.2	18	-1959	19
23.6	21.85	18.2	16	-1759	17
22.6	20.85	17.2	15	-1659	16
21.6	19.85	16.2	14	-1559	15
20.6	18.85	15.2	13	-1459	14
19.6	17.85	14.2	12	-1359	13
18.6	16.85	13.2	11	-1259	12
17.6	15.85	12.2	10	-1159	11
16.6	14.85	11.2	9	-1059	10
15.6	13.85	10.2	8	-0959	9
14.6	12.85	9.2	7	-0859	8
13.6	11.85	8.2	6	-0759	7
12.6	10.85	7.2	5	52610-0659	6
D	(C)	B	(A)	MATERIAL. NO.	CKT.

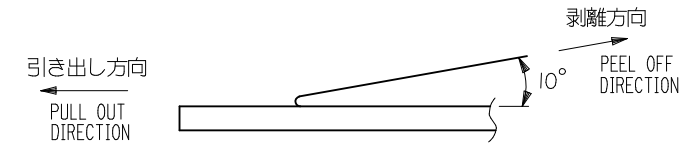
REVISED EC NO: J2014-0169 2013/07/25 DRWN: NIINOUE01 2013/07/29 CHKD: HIJIMA APPR: YNOGAWA 2013/08/05	GENERAL TOLERANCES (UNLESS SPECIFIED)		DIMENSION STYLE MM ONLY		SCALE ---		DESIGN UNITS METRIC		THIRD ANGLE PROJECTION		
	10 UNDER ±0.2		DRAWN BY H. SHIMABUKUR		DATE '04/31/17		TITLE 1.0 FPC CONN ZIF FOR SMT (ST) WITH TAPE -LEAD FREE- molex				
	10 OVER 30 UNDER ±0.25		CHECKED BY K. TOJO		DATE '04/31/17						
	30 OVER ±0.3		APPROVED BY M. SASAO		DATE '04/31/17		MATERIAL NO. SEE CHART		DOCUMENT NO. SD-52610-034		SHEET NO. 2 OF 2
ANGULAR ±3 °		DRAFT WHERE APPLICABLE MUST REMAIN WITHIN DIMENSIONS		SIZE A3		THIS DRAWING CONTAINS INFORMATION THAT IS PROPRIETARY TO MOLEX INCORPORATED AND SHOULD NOT BE USED WITHOUT WRITTEN PERMISSION					

NOTES

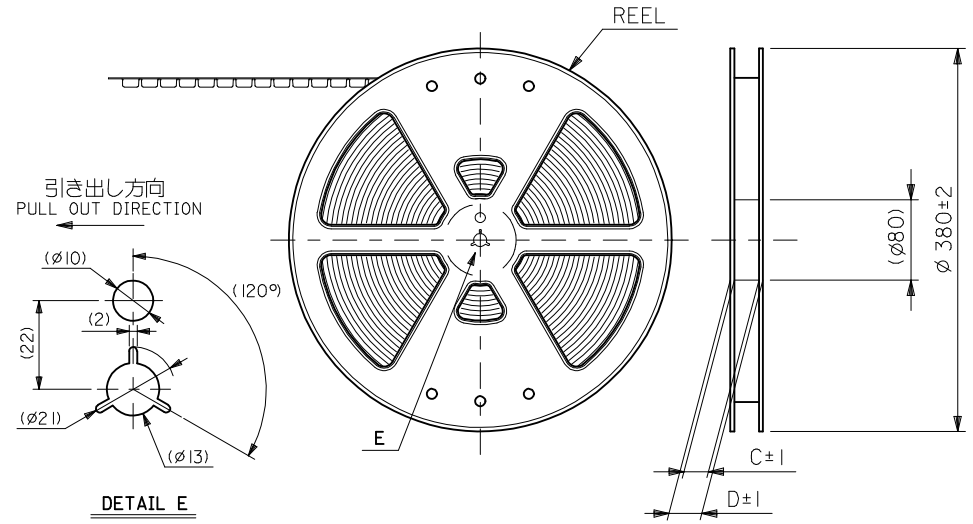
1. 梱包数量：1000個/リール
NUMBER OF CONNECTORS : 1000PCS/REEL
2. リードテープ長さ LEAD TAPE LENGTH



3. トップテープの剥離強度：0.1N ~ 1.3N(10gf ~ 130gf)
(剥離方向は下図参照)
尚、本規格値は出荷時に適用。(但し、輸送時に剥離が発生しないこと。)
PEELING OFF FORCE OF TOP TAPE : 0.1N ~ 1.3N(10gf ~ 130gf)
(PEELING DIRECTION AS SHOWN IN FOLLOWING FIG.)
THIS REQUIREMENT SHOULD BE APPLIED AT SHIPMENT.
PEEL OFF SHOULD NOT BE ALLOWED , DURING TRANSPORTATION.

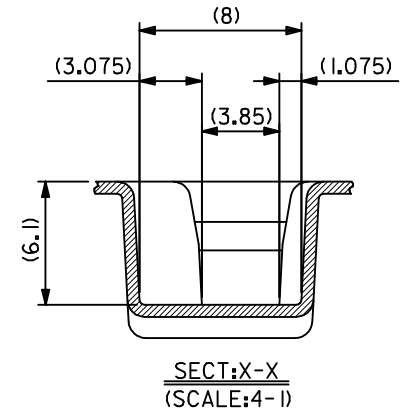
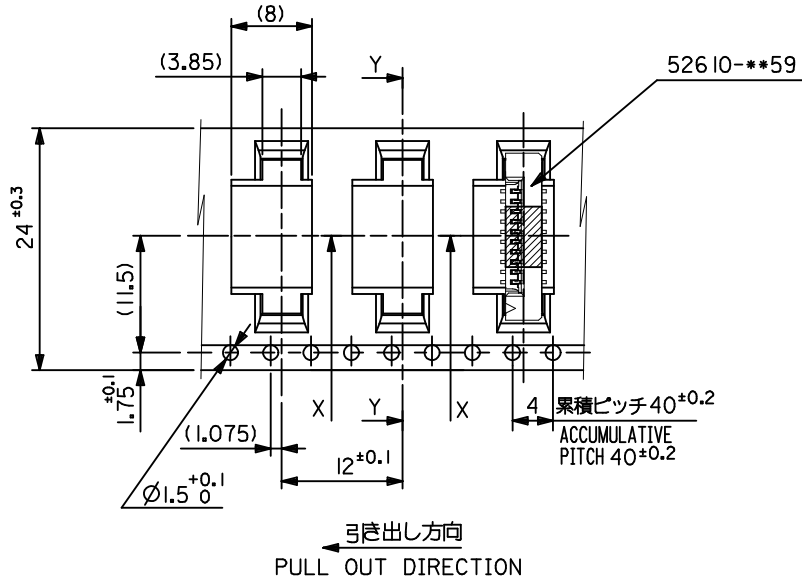
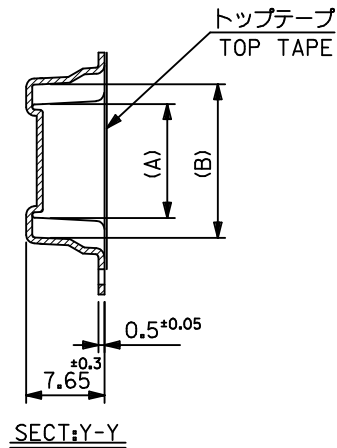


4. 52610-**-59のアクチュエータはハウジング内に押し下げた状態とする。
詳細寸法については 製品単体図面を参照下さい。
ACTUATOR OF PART NO. 52610-**-59 SHOULD BE LOCKED.
FOR DETAIL OF CONNECTOR DIMENSIONS, PLEASE SEE THE DRAWING OF ITSELF.
5. 材料 (MATERIAL)
キャリアテープ (CARRIER TAPE) : ポリプロピレン (POLYPROPYLENE)
トップテープ (TOPTAPE) : PET , PE , PEF
リール (REEL) : ポリスチレン (PS) <リサイクル材を含む>
POLYSTYRENE (PS) <RECYCLE MATERIAL CONTAINED>
6. 本製品は 52610-**-94 の鉛フリー品である。
THIS PRODUCT IS LEAD FREE OF 52610-**-94
7. 本製品は乾燥剤入り、ハイバリア梱包仕様である。
THIS PRODUCT IS HIGH BARRIER PACKAGE WITH DESICCANT.



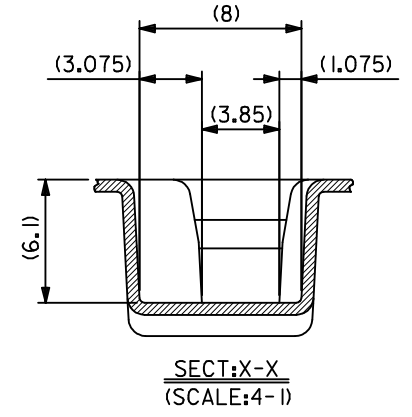
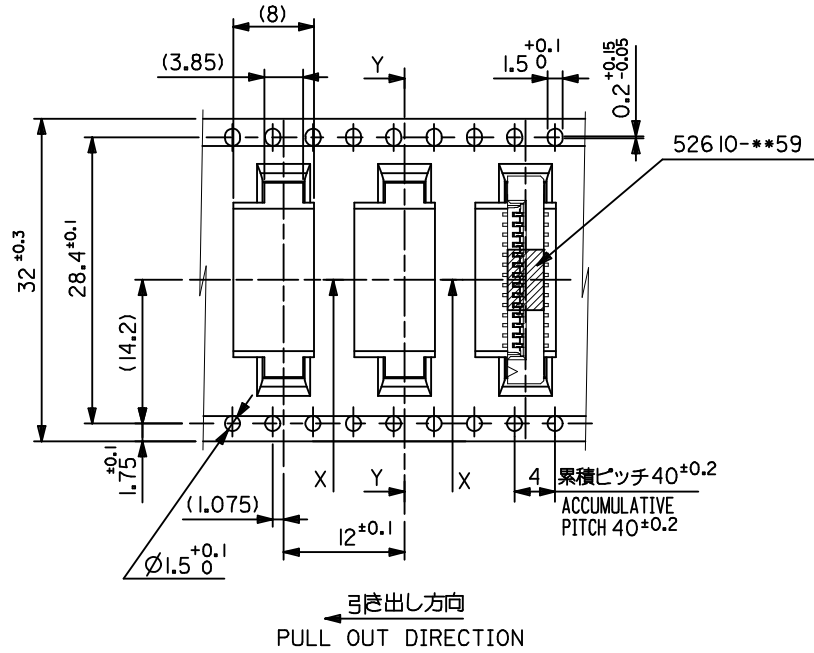
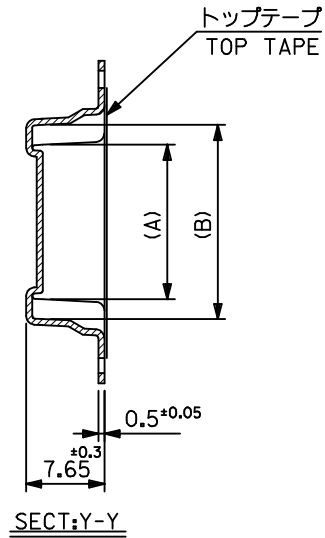
52610-**-75 MODEL NO.

REVISED EC NO: J2014-0169 DRWN: INOUE01 2013/07/25 CHKD: HIJIMA 2013/07/29 APPR: YNOGAWA 2013/08/05	GENERAL TOLERANCES (UNLESS SPECIFIED)		DIMENSION STYLE MM ONLY		SCALE ---	DESIGN UNITS METRIC	THIRD ANGLE PROJECTION
	10 UNDER	±0.3	DRAWN BY H. SHIMABUKUR	DATE 2004/03/17	TITLE 1.0 FPC CONN SMT ZIF WITH TAPE EMBSTP PKG -LEAD FREE-		
	10 OVER 30 UNDER	±0.25	CHECKED BY K. TOJO	DATE 2004/03/17	molex SD-52610-035		
	30 OVER	±0.2	APPROVED BY M. SASAO	DATE 2004/03/17			
ANGULAR ±3 °		DRAFT WHERE APPLICABLE MUST REMAIN WITHIN DIMENSIONS		THIS DRAWING CONTAINS INFORMATION THAT IS PROPRIETARY TO MOLEX INCORPORATED AND SHOULD NOT BE USED WITHOUT WRITTEN PERMISSION			



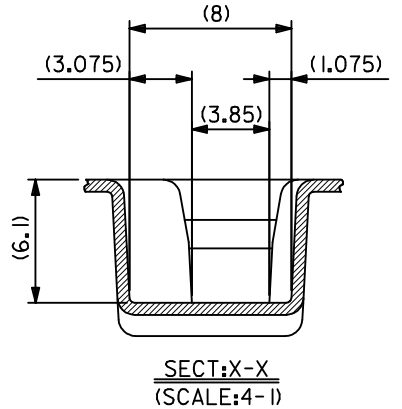
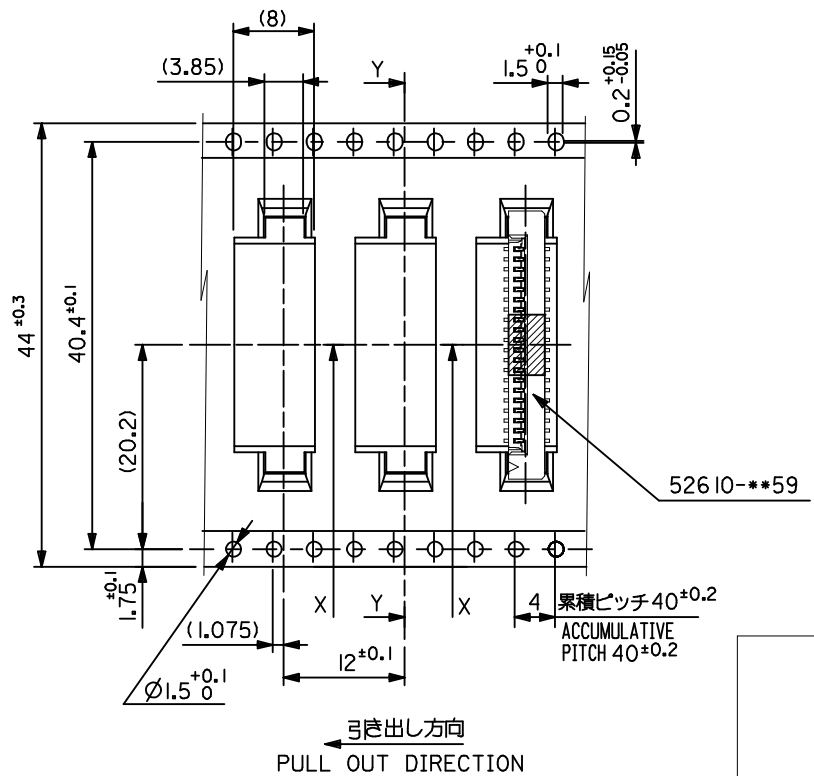
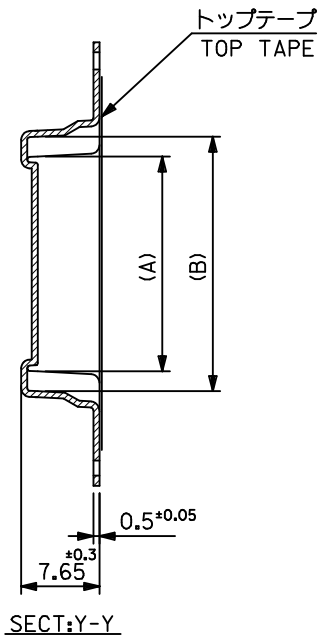
24	29.4	25.4	15.25	11.32	52610-1075	10	
			14.25	10.32	52610-0975	9	
			13.25	9.32	52610-0875	8	
			12.25	8.32	52610-0775	7	
			11.25	7.32	52610-0675	6	
52610-***75	キャリアテープ幅 CARRIER TAPE WIDTH	D	C	(B)	(A)	MATERIAL. NO.	極数 CKT.

REVISED EC NO: J2014-0169 DRWN: INOUE01 2013/07/25 CHKD: HIJIMA 2013/07/29 APPR: YNOGAWA 2013/08/05	DESCRIPTION REV	GENERAL TOLERANCES (UNLESS SPECIFIED)		DIMENSION STYLE MM ONLY		SCALE ---		DESIGN UNITS METRIC		THIRD ANGLE PROJECTION	
		10 UNDER	±0.3	DRAWN BY H. SHIMABUKUR		DATE 2004/03/17		TITLE 1.0 FPC CONN SMT ZIF WITH TAPE EMBSTP PKG -LEAD FREE-			
		10 OVER 30 UNDER	±0.25	CHECKED BY K. TOJO		DATE 2004/03/17					
		30 OVER	±0.2	APPROVED BY M. SASAO		DATE 2004/03/17					
		ANGULAR ±3 °		DRAFT WHERE APPLICABLE MUST REMAIN WITHIN DIMENSIONS		MATERIAL NO. SEE CHART		DOCUMENT NO. SD-52610-035		SHEET NO. 2 OF 5	
THIS DRAWING CONTAINS INFORMATION THAT IS PROPRIETARY TO MOLEX INCORPORATED AND SHOULD NOT BE USED WITHOUT WRITTEN PERMISSION											



52610-***75	MODEL NO.	キャリアテープ幅 CARRIER TAPE WIDTH	D	C	20.25	16.32	52610-1575	15
					19.25	15.32	52610-1475	14
					18.25	14.32	52610-1375	13
					17.25	13.32	52610-1275	12
					(B)	(A)	MATERIAL. NO.	極数 CKT.

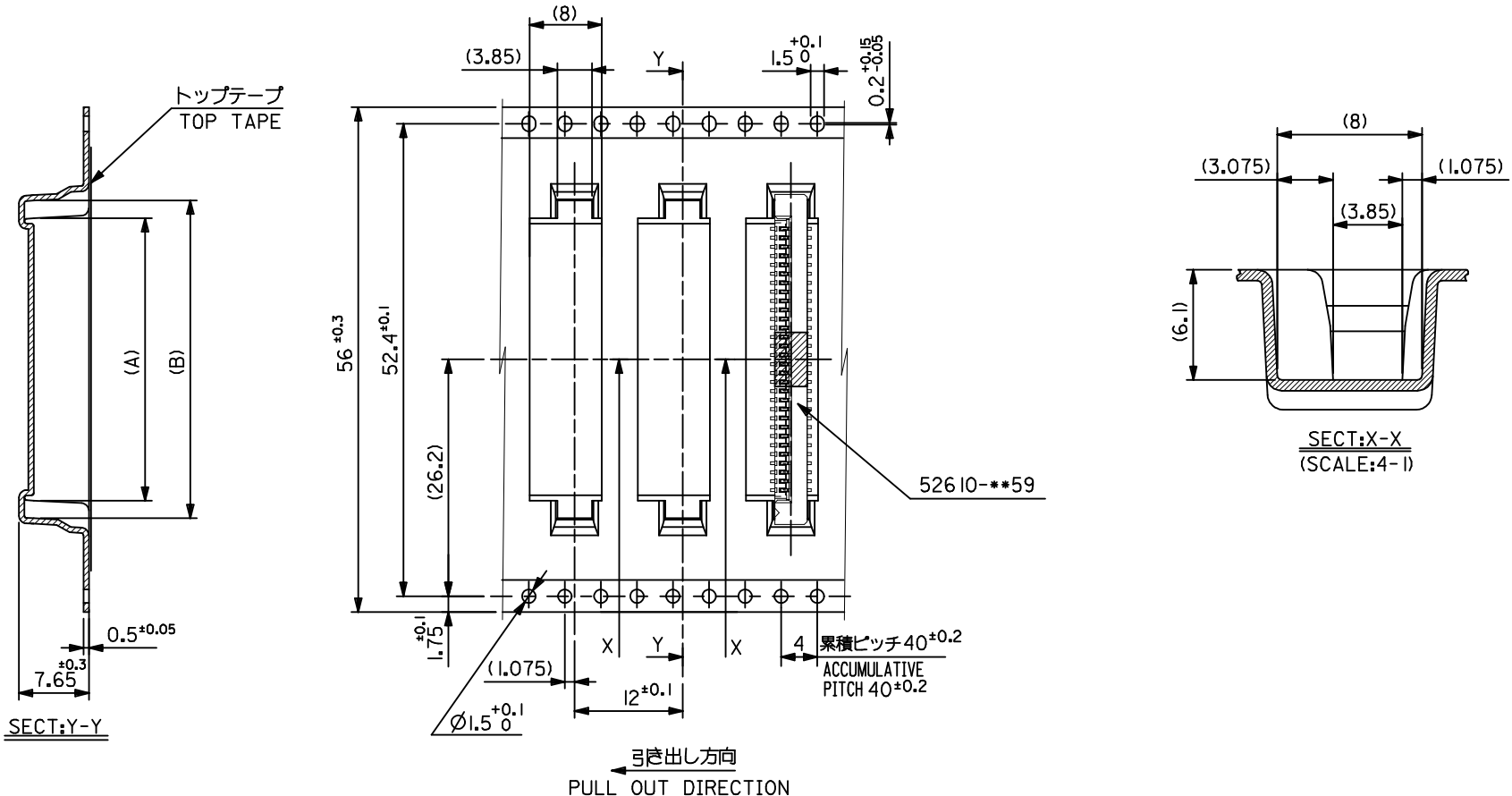
REVISED EC NO: J2014-0169 DRWN: NIINOUE01 CHKD: HIJIMA APPR: YNOGAWA	DESCRIPTION REV	GENERAL TOLERANCES (UNLESS SPECIFIED)		DIMENSION STYLE MM ONLY		SCALE ---	DESIGN UNITS METRIC	THIRD ANGLE PROJECTION		
		10 UNDER	±0.3	DRAWN BY H. SHIMABUKUR	DATE 2004/03/17	TITLE 1.0 FPC CONN SMT ZIF WITH TAPE EMBSTP PKG -LEAD FREE-				
		10 OVER 30 UNDER	±0.25	CHECKED BY K. TOJO	DATE 2004/03/17					
		30 OVER	±0.2	APPROVED BY M. SASAO	DATE 2004/03/17					
		ANGULAR	±3 °	MATERIAL NO. SEE CHART		DOCUMENT NO. SD-52610-035		SHEET NO. 3 OF 5		
		DRAFT WHERE APPLICABLE MUST REMAIN WITHIN DIMENSIONS		THIS DRAWING CONTAINS INFORMATION THAT IS PROPRIETARY TO MOLEX INCORPORATED AND SHOULD NOT BE USED WITHOUT WRITTEN PERMISSION						



52610-***75	キャリアテープ幅	D	C	(B)	(A)	MATERIAL. NO.	極数
MODEL. NO.	CARRIER TAPE WIDTH						CKT.

44	49.4	45.4	31.25	27.32	52610-2675	26
			30.25	26.32	52610-2575	25
			29.25	25.32	52610-2475	24
			28.25	24.32	52610-2375	23
			27.25	23.32	52610-2275	22
			26.25	22.32	52610-2175	21
			25.25	21.32	52610-2075	20
			24.25	20.32	52610-1975	19
			21.25	17.32	52610-1675	16

REVISED EC NO: J2014-0169 DRWN: INOUE01 2013/07/25 CHKD: HIJIMA 2013/07/29 APPR: YNOGAWA 2013/08/05	GENERAL TOLERANCES (UNLESS SPECIFIED)		DIMENSION STYLE		SCALE		DESIGN UNITS		THIRD ANGLE PROJECTION		
			MM ONLY		---		METRIC				
	10 UNDER	±0.3	DRAWN BY DATE		TITLE		1.0 FPC CONN SMT ZIF WITH TAPE EMBOSTP PKG -LEAD FREE- molex				
	10 OVER 30 UNDER	±0.25	H. SHIMABUKUR 2004/03/17								
30 OVER	±0.2	CHECKED BY DATE				DOCUMENT NO.		SHEET NO.			
ANGULAR ±3 °		M. SASAO 2004/03/17		SEE CHART		SD-52610-035		4 OF 5			
DRAFT WHERE APPLICABLE MUST REMAIN WITHIN DIMENSIONS		MATERIAL NO.		THIS DRAWING CONTAINS INFORMATION THAT IS PROPRIETARY TO MOLEX INCORPORATED AND SHOULD NOT BE USED WITHOUT WRITTEN PERMISSION							
		SIZE		A3							



52610-***75	56	61.4	57.4	35.25	31.32	52610-3075	30
MODEL.NO.	キャリアテープ幅 CARRIER TAPE WIDTH	D	C	33.25	29.32	52610-2875	28
				(B)	(A)	MATERIAL. NO.	極数 CKT.

REVISED EC NO: J2014-0169 DRWN: INOUE01 2013/07/25 CHKD: HIJIMA 2013/07/29 APPR: YNOGAWA 2013/08/05	GENERAL TOLERANCES (UNLESS SPECIFIED)		DIMENSION STYLE MM ONLY		SCALE ---	DESIGN UNITS METRIC	THIRD ANGLE PROJECTION
	10 UNDER	±0.3	DRAWN BY H. SHIMABUKUR		TITLE 1.0 FPC CONN SMT ZIF WITH TAPE EMBSTP PKG -LEAD FREE-		
	10 OVER 30 UNDER	±0.25	DATE 2004/03/17				
	30 OVER	±0.2	CHECKED BY K. TOJO				
	ANGULAR ±3 °	DATE 2004/03/17		APPROVED BY M. SASAO		DOCUMENT NO. SD-52610-035	SHEET NO. 5 OF 5
	DRAFT WHERE APPLICABLE MUST REMAIN WITHIN DIMENSIONS	MATERIAL NO.		SEE CHART			
		THIS DRAWING CONTAINS INFORMATION THAT IS PROPRIETARY TO MOLEX INCORPORATED AND SHOULD NOT BE USED WITHOUT WRITTEN PERMISSION					