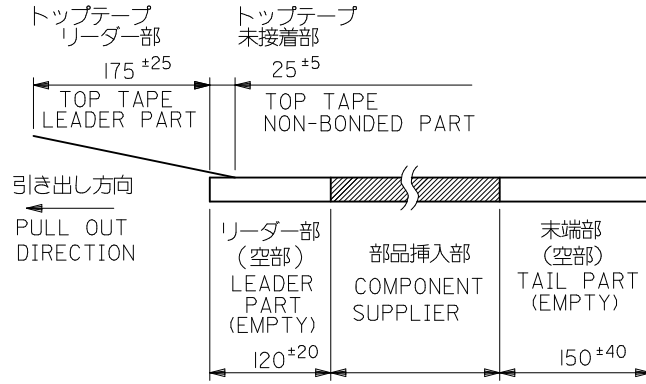
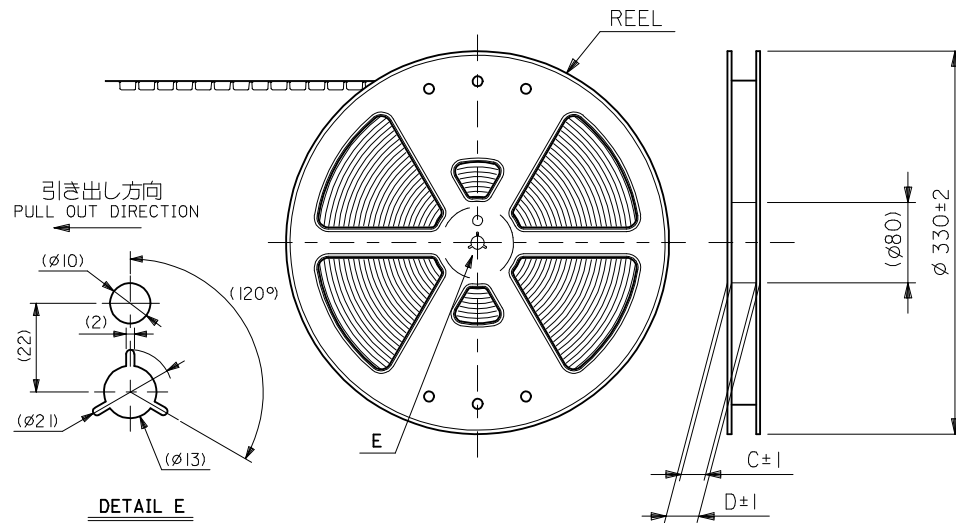


注記 NOTES

- 製品番号 52559-\*\*-\*\*19 の梱包状態はアクチュエータがロックした状態とする。  
 詳細寸法については図面 SD-52559-\*\*-\*\*19 を参照下さい。  
 IN THE PACKAGE,ACTUATOR OF PART NO.52559-\*\*-\*\*19 SHOULD BE LOCKED  
 RE DETAILED DIMENSIONS,SEE SD-52559-\*\*-\*\*19
- 梱包数量：1000個/リール  
 NUMBER OF CONNECTORS:1000PCS/REEL
- リードテープ長さ LEAD TAPE LENGTH

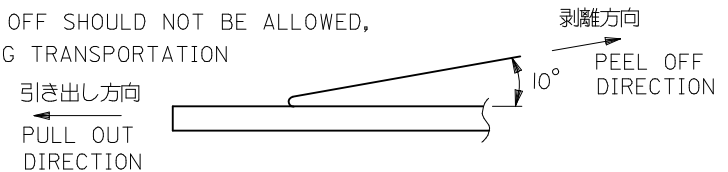


- 材料  
 キャリアテープ：ポリプロピレン (PP)  
 トップテープ：PET, PE, PEF  
 リール：ポリスチレン (PS) <リサイクル材を含む>

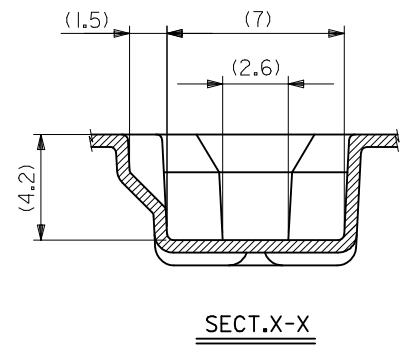
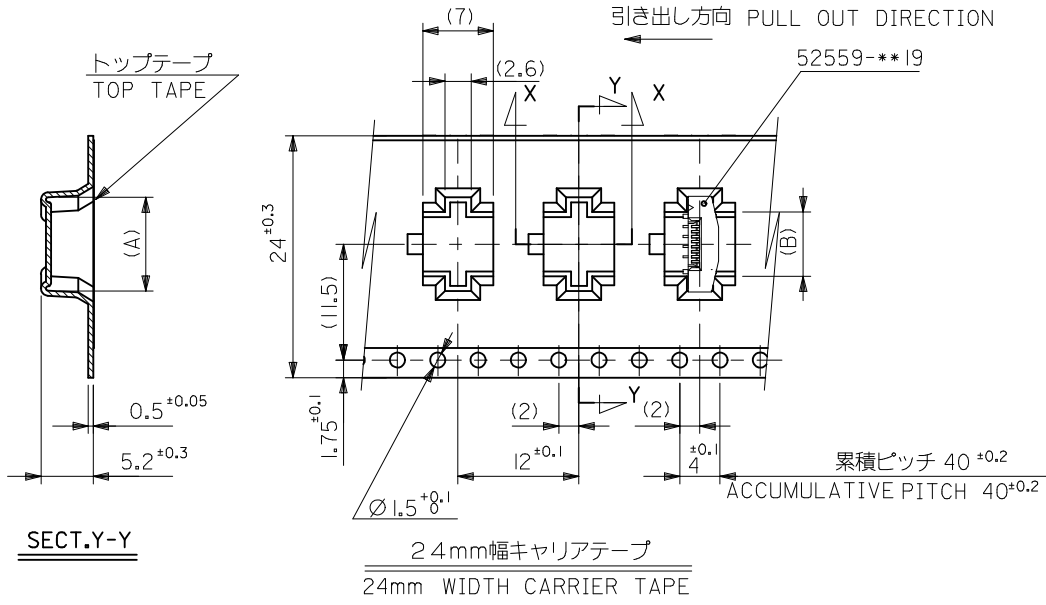
MATERIAL CARRIER TAPE:POLYPROPYLENE  
 TOP TAPE:PET,PE,PEF  
 REEL:POLYSTYREN(PS)  
 <RECYCLE MATERIAL CONTAINED>

- 本製品は 52559-\*\*-\*\*90の鉛フリー品である。  
 THIS PRODUCT IS LEAD FREE OF
- 本製品は乾燥剤入り、ハイバリア梱包仕様である。  
 THIS PRODUCT IS HIGH BARRIER PACKAGE WITH DESICCANT.

- トップテープの剥離強度：(剥離方向は下図参照)  
 0.1N~1.3N {10gf~130gf}尚、本規格値は、出荷時に適用。  
 (但し、輸送時に剥離が発生しない事。)  
 PEELING OFF FORCE OF TOP TAPE  
 0.1~1.3N(10gf~130gf)(PEELING DIRECTION AS SHOWN IN FOLLOWING FIG.)  
 THIS REQUIREMENT SHOULD BE APPLIED AT SHIPMENT  
 PEEL OFF SHOULD NOT BE ALLOWED,  
 DURING TRANSPORTATION

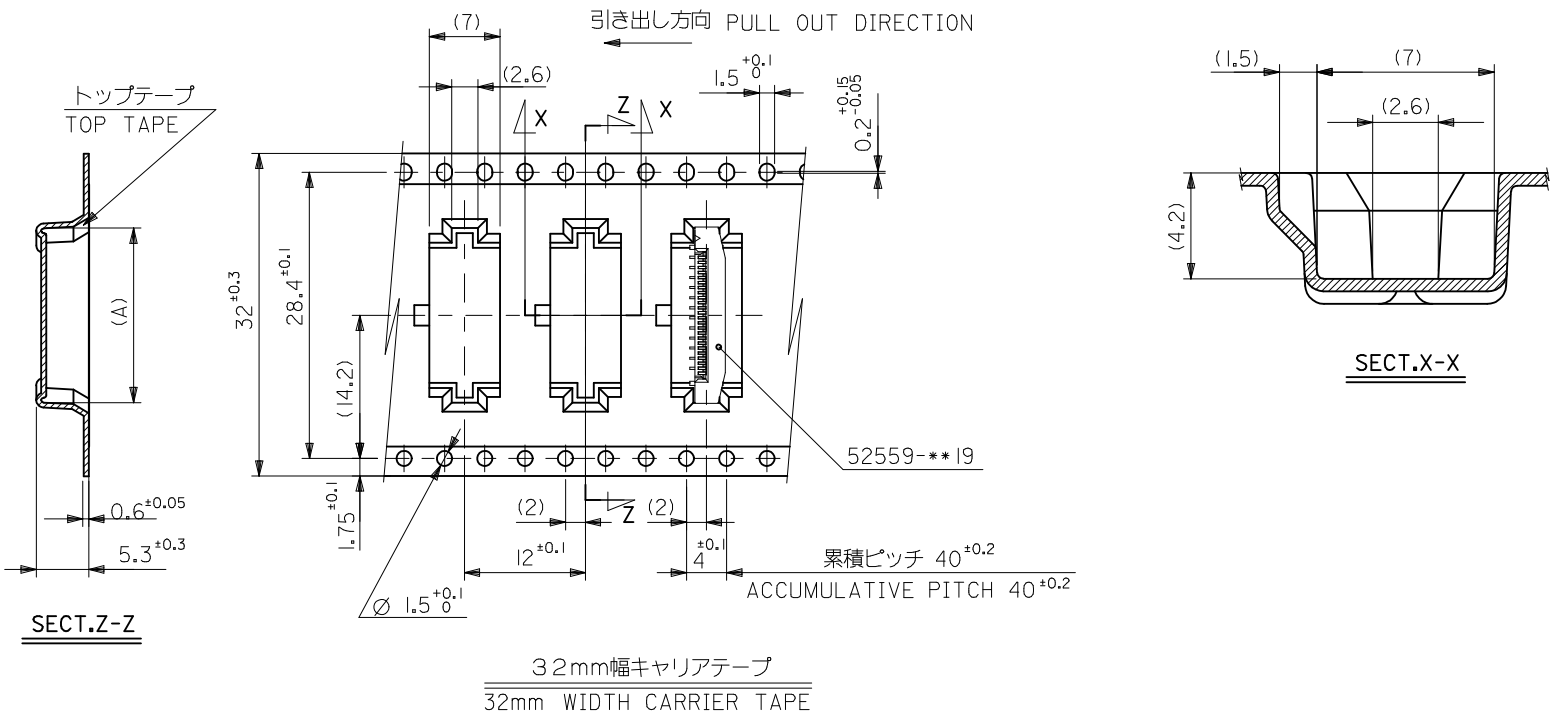


REVISED EC NO: J2016-0872 DRWN:FSATO 2016/02/16 CHKD:TAKAHASHI 2016/02/16 APPR:KUSUHARA01 2016/03/02	GENERAL TOLERANCES (UNLESS SPECIFIED)		DIMENSION STYLE MM ONLY		SCALE ---	DESIGN UNITS METRIC	52559-**-**70	MODEL NO.	
	0.25 UNDER	UNDER	±0.2	DRAWN BY HSHIMABUKURO	DATE '04/01/07	TITLE 0.5 FPC CONN ASSY ZIF SMT SMT EMBSTP PKG -LEAD FREE-			
	0.25 OVER	0.5 UNDER	±0.2	CHECKED BY KTOJO	DATE '04/01/07				
	0.5 OVER	1.0 UNDER	±0.2	APPROVED BY MSASAO	DATE '04/01/07				
1.0 OVER	30 UNDER	±0.25	MATERIAL NO. SEE SHEET 2-4		DOCUMENT NO. SD-52559-029	SHEET NO. 1 OF 4			
30 OVER		±0.3	SIZE A3		THIS DRAWING CONTAINS INFORMATION THAT IS PROPRIETARY TO MOLEX ELECTRONIC TECHNOLOGIES, LLC AND SHOULD NOT BE USED WITHOUT WRITTEN PERMISSION				
ANGULAR	±3 °		DRAFT WHERE APPLICABLE MUST REMAIN WITHIN DIMENSIONS						



24	29.4	25.4	(B)	(A)	MATERIAL NO.	種数
			13.4	16.3	52559-2270	22
			12.4	15.3	52559-2070	20
			11.9	14.8	52559-1970	19
			11.4	14.3	52559-1870	18
			10.4	13.3	52559-1670	16
			9.4	12.3	52559-1470	14
			8.9	11.8	52559-1370	13
			8.4	11.3	52559-1270	12
			7.9	10.8	52559-1170	11
6.4	9.3	52559-0870	8			
5.4	8.3	52559-0670	6			

REVISED EC NO.: J2016-0872 DRWN:FSATO 2016/02/16 CHKD:KATAHASHI 2016/02/16 APPR:KUSUHARA01 2016/03/02	DESCRIPTION	GENERAL TOLERANCES (UNLESS SPECIFIED)	DIMENSION STYLE	SCALE	DESIGN UNITS	THIRD ANGLE PROJECTION
	REV	0.25 UNDER UNDER ±0.2	MM ONLY	---	METRIC	☉
		0.25 OVER 0.5 UNDER ±0.2	DRAWN BY DATE	TITLE		
		0.5 OVER 1.0 UNDER ±0.2	HSHIMABUKURO '04/01/07	0.5 FPC CONN ASSY ZIF		
		1.0 OVER 10 UNDER ±0.2	CHECKED BY DATE	SMT SMT EMBSTP PKG		
		10 OVER 30 UNDER ±0.25	KTOJO '04/01/07	-LEAD FREE-		
		30 OVER ±0.3	APPROVED BY DATE	<b>molex</b>		
		ANGULAR ±3 °	MSASAO '04/01/07	MATERIAL NO.	DOCUMENT NO.	SHEET NO.
		DRAFT WHERE APPLICABLE MUST REMAIN WITHIN DIMENSIONS	SEE TABLE	SD-52559-029	2 OF 4	
			SIZE A3	THIS DRAWING CONTAINS INFORMATION THAT IS PROPRIETARY TO MOLEX ELECTRONIC TECHNOLOGIES, LLC AND SHOULD NOT BE USED WITHOUT WRITTEN PERMISSION		



32mm幅キャリアテープ  
32mm WIDTH CARRIER TAPE

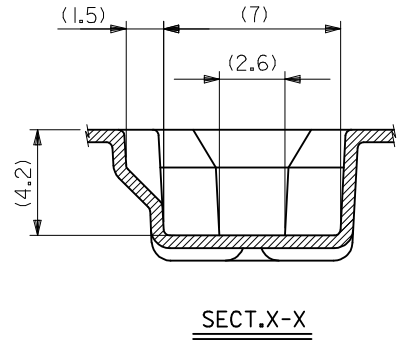
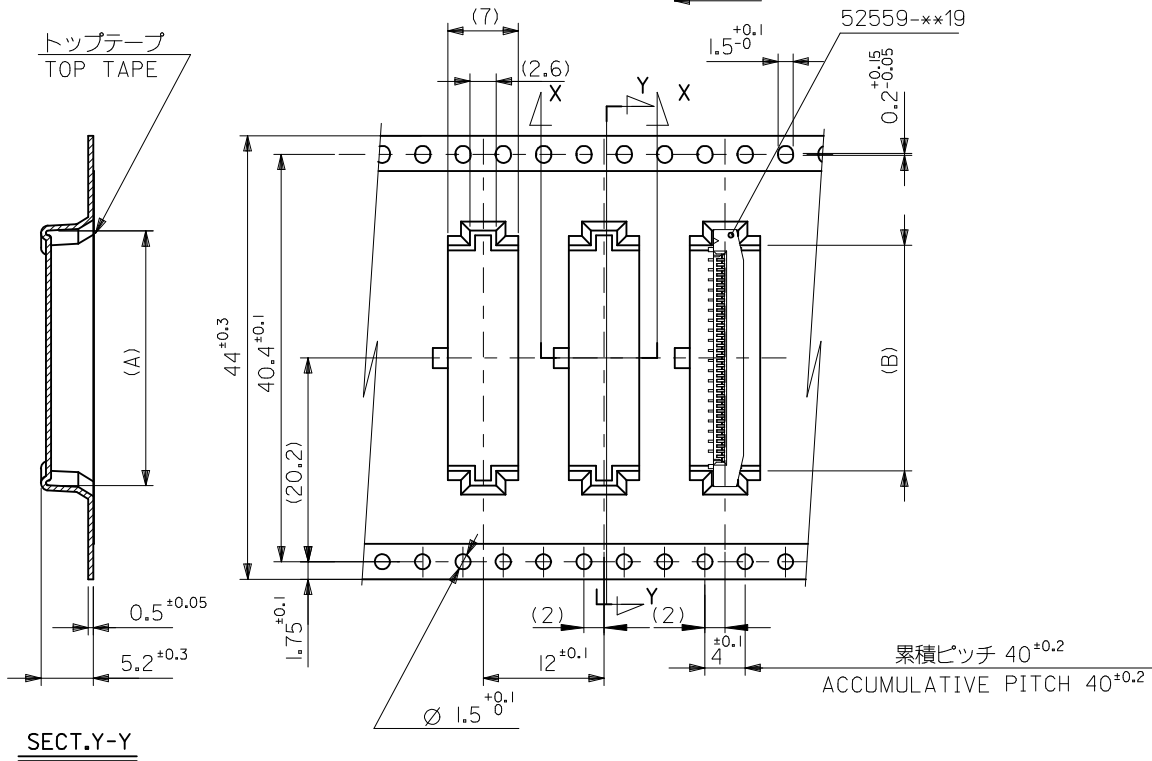
32	37.4	33.4	18.9	21.8	52559-3370	33
			18.4	21.3	52559-3270	32
			17.4	20.3	52559-3070	30
			16.4	19.3	52559-2870	28
			14.9	17.8	52559-2570	25
			14.4	17.3	52559-2470	24

REVISED		EC NO: J2016-0872		2016/02/16		DRWN:FSATO		2016/02/16		CHKD:KTAHASHI		2016/03/02		APPR:KUSUHARA01	
DESCRIPTION		GENERAL TOLERANCES (UNLESS SPECIFIED)		DIMENSION STYLE		SCALE		DESIGN UNITS		MATERIAL NO.		THIRD ANGLE PROJECTION		極致	
0.25 UNDER		UNDER		±0.2		MM ONLY		METRIC		52559-**-70		D		C	
0.25 OVER		0.5 UNDER		±0.2		DRAWN BY		DATE		32		37.4		33.4	
0.5 OVER		1.0 UNDER		±0.2		HSHIMABUKURO		'04/01/07		32		37.4		33.4	
1.0 OVER		10 UNDER		±0.2		CHECKED BY		DATE		32		37.4		33.4	
10 OVER		30 UNDER		±0.25		KTOJO		'04/01/07		32		37.4		33.4	
30 OVER				±0.3		APPROVED BY		DATE		32		37.4		33.4	
ANGULAR		±3 °				MSASAO		'04/01/07		32		37.4		33.4	
DRAFT WHERE APPLICABLE MUST REMAIN WITHIN DIMENSIONS						MATERIAL NO.		DOCUMENT NO.		32		37.4		33.4	
						SEE TABLE		SD-52559-029		32		37.4		33.4	
						SIZE		THIS DRAWING CONTAINS INFORMATION THAT IS PROPRIETARY TO MOLEX ELECTRONIC TECHNOLOGIES, LLC AND SHOULD NOT BE USED WITHOUT WRITTEN PERMISSION		32		37.4		33.4	
						A3				32		37.4		33.4	

0.5 FPC CONN ASSY ZIF  
SMT SMT EMBSTP PKG  
-LEAD FREE-



引き出し方向 PULL OUT DIRECTION



44mm幅キャリアテープ  
44mm WIDTH CARRIER TAPE

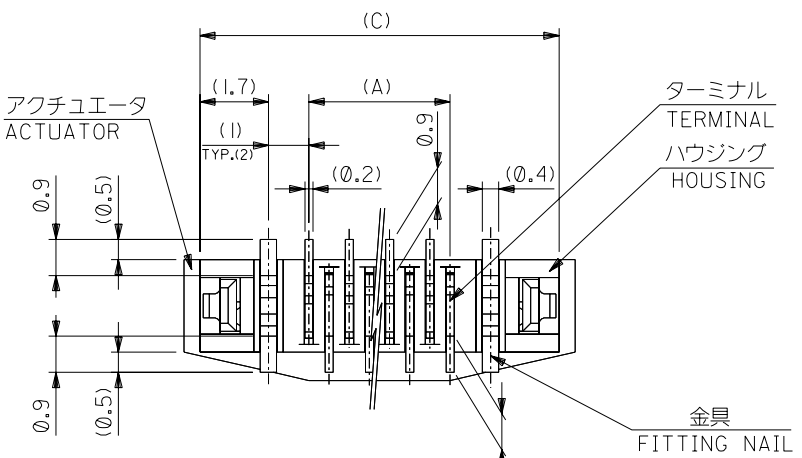
MODEL No.52559-xx70

キャリアテープ幅  
CARRIER TAPE WIDTH

REVISED EC NO: J2016-0872 DRWN:FSATO 2016/02/16 CHKD:KATAHASHI 2016/02/16 APPR:KUSUHARA01 2016/03/02	GENERAL TOLERANCES (UNLESS SPECIFIED)		DIMENSION STYLE	SCALE	DESIGN UNITS	THIRD ANGLE PROJECTION
	0.25 UNDER	UNDER	±0.2	MM ONLY	---	METRIC
	0.25 OVER	0.5 UNDER	±0.2	DRAWN BY HSHIMABUKURO	DATE '04/01/07	TITLE 0.5 FPC CONN ASSY ZIF SMT ST EMBSTP PKG -LEAD FREE-
	0.5 OVER	1.0 UNDER	±0.2	CHECKED BY KTOJO	DATE '04/01/07	
1.0 OVER	30 UNDER	±0.2	APPROVED BY MSASAO	DATE '04/01/07		
30 OVER		±0.3	MATERIAL NO.	DOCUMENT NO.	SHEET NO.	
ANGULAR	±3 °		SEE TABLE	SD-52559-029	4 OF 4	
DRAFT WHERE APPLICABLE MUST REMAIN WITHIN DIMENSIONS			SIZE A3	THIS DRAWING CONTAINS INFORMATION THAT IS PROPRIETARY TO MOLEX ELECTRONIC TECHNOLOGIES, LLC AND SHOULD NOT BE USED WITHOUT WRITTEN PERMISSION		



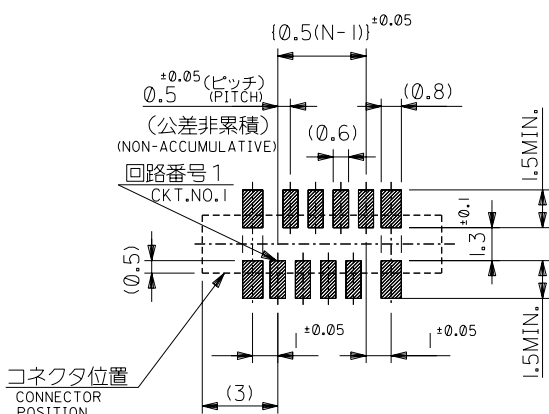
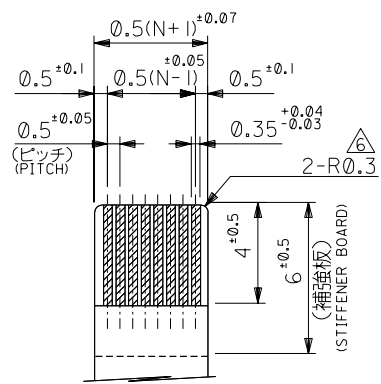
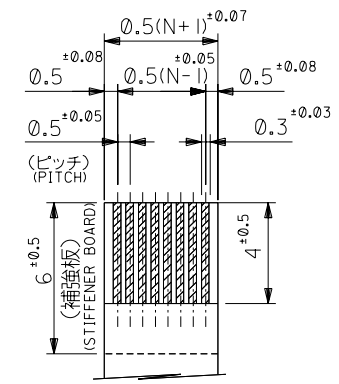
DWG. NO. SD-52559-045



FPCについて：  
 打抜き方向は導体側から補強板側を推奨致します。  
 補強フィルム材質はポリイミドを推奨致します。  
 接着剤は熱硬化接着剤を推奨致します。

ABOUT FPC :  
 RECOMMENDED PUNCHER DIRECTION : FROM CONDUCTOR SIDE TO STIFFENER BOARD SIDE.  
 RECOMMENDED MATERIAL :  
 STIFFENER FILM : POLYIMIDE  
 BONDING AGENT : THERMOSETTING BONDING AGENT

下面図  
 BOTTOM VIEW



適合FPC推奨寸法  
 APPLICABLE FPC  
 RECOMMENDED DIMENSION.  
 (仕上がり厚さ: 0.3±0.05)  
 (THICKNESS: 0.3±0.05)

適合FPC推奨寸法  
 APPLICABLE FPC  
 RECOMMENDED DIMENSION.  
 (仕上がり厚さ: 0.3±0.05)  
 (THICKNESS: 0.3±0.05)

コネクタ位置  
 CONNECTOR POSITION  
 参考基板レイアウト  
 (マウント面)  
 RECOMMENDED P.C. BOARD  
 PATTERN DIMENSION (REF.)  
 (MOUNTING SIDE)

25.7	24.9	20.65	19.5	52559-40	19	40
23.7	22.9	18.65	17.5		-36	36
22.2	21.4	17.15	16.0		-33	33
21.7	20.9	16.65	15.5		-32	32
21.2	20.4	16.15	15.0		-31	31
20.7	19.9	15.65	14.5		-30	30
20.2	19.4	15.15	14.0		-29	29
19.7	18.9	14.65	13.5		-28	28
19.2	18.4	14.15	13.0		-27	27
18.7	17.9	13.65	12.5		-26	26
18.2	17.4	13.15	12.0		-25	25
17.7	16.9	12.65	11.5		-24	24
17.2	16.4	12.15	11.0		-23	23
16.7	15.9	11.65	10.5		-22	22
16.2	15.4	11.15	10.0		-21	21
15.7	14.9	10.65	9.5		-20	20
15.2	14.4	10.15	9.0		-19	19
14.7	13.9	9.65	8.5		-18	18
14.2	13.4	9.15	8.0		-17	17
13.7	12.9	8.65	7.5		-16	16
13.2	12.4	8.15	7.0		-15	15
12.7	11.9	7.65	6.5		-14	14
12.2	11.4	7.15	6.0		-13	13
11.7	10.9	6.65	5.5		-12	12
11.2	10.4	6.15	5.0		-11	11
10.7	9.9	5.65	4.5		-10	10
10.2	9.4	5.15	4.0		-09	9
9.7	8.9	4.65	3.5		-08	8
8.7	7.9	3.65	2.5	52559-06	19	6
D	C	B	(A)	MATERIAL NO.	極数	

DO NOT SCALE DRAWING

図番NO. DRWN: CH'K: APPR:	図番NO. DRWN: CH'K: APPR:	図番NO. DRWN: CH'K: APPR:	REVISED 図番NO. J2004-3551 DRWN: H.KAWABATA '04/04/05 CH'K: K.TOJO '04/04/05 APPR: H. Saito '04/04/05	RELEASED 図番NO. J2004-1818 DRWN: H.SHIMABUKURO '04/01/07 CH'K: K.TOJO '04/01/07 APPR: H. Saito '04/01/07	MATERIAL 材料 注記参照 SEE NOTES	GENERAL TOLERANCES: (UNLESS SPECIFIED) 一般公差 10 UNDER 未滿 ±0.2 10 OVER 以上 30 UNDER 未滿 ±0.25 30 OVER 以上 ±0.3	SCALE 1:1 DESIGN UNITS <input checked="" type="checkbox"/> mm <input type="checkbox"/> INCH PROJECTION <input checked="" type="checkbox"/> FIRST ANGLE	MODEL NO. 52559-***19 DIMENSIONS: <input type="checkbox"/> mm <input type="checkbox"/> INCH <input checked="" type="checkbox"/> mm ONLY SHT REV	TITLE: 0.5 FPC Conn. Assy ZIF. -LEAD FREE-
			WIRE RANGE 適用 層数 範囲	FINISH 仕上げ	ANGLE 角度 ±3°	CAD FILENAME SD-52559-045.S02	MATERIAL NO. SEE CHART DRAWING NO. SD-52559-045 SHEET NO. 2 OF 2		

MOLEX MOLEX INCORPORATED

THIS DRAWING CONTAINS INFORMATION THAT IS PROPRIETARY TO MOLEX INCORPORATED AND SHOULD NOT BE USED WITHOUT WRITTEN PERMISSION. SIZE B