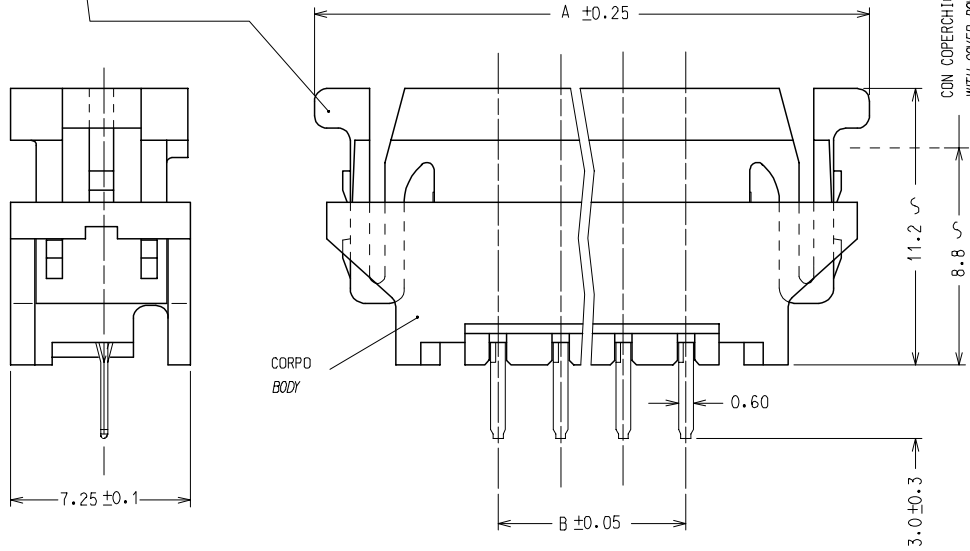


10 9 8 7 6 5 4 3 2 1

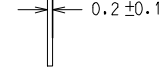
COPERCHIO
COVER

COPERCHIO ALZATO: I CONTATTI SONO APERTI PER UN AGEVOLE INSERIMENTO DEL CIRCUITO FLESSIBILE
COVER UP: CONTACTS ARE OPEN FOR AN EASY INSERTION OF THE FLEX CIRCUITRY
COPERCHIO ABBASSATO: I CONTATTI SONO PREMUTI CONTRO LE PISTE
COVER DOWN: CONTACTS ARE CLOSED ON THE TRACKS

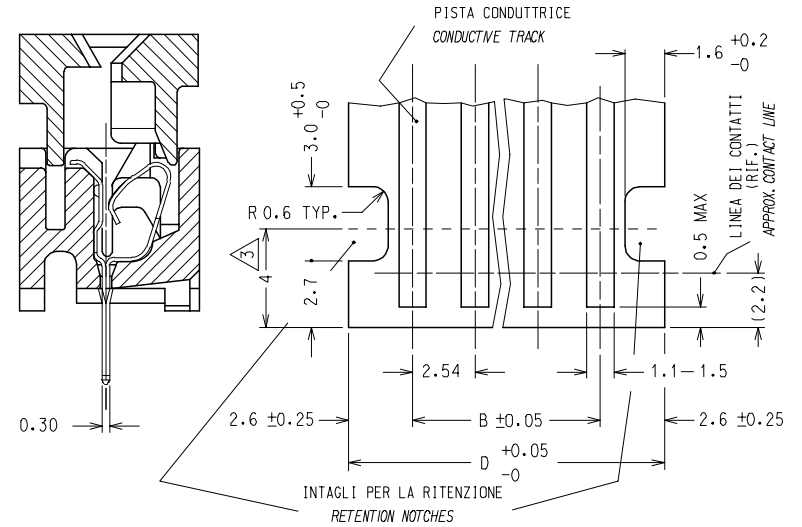


CORPO
BODY

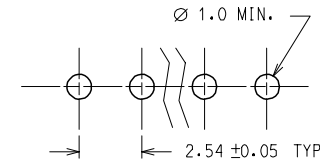
CIRCUITO FLESSIBILE (SPESSORE TYPICO)
FLEX CIRCUITRY (TYPICAL THICKNESS)



PREPARAZIONE DEL CIRCUITO FLESSIBILE (ZONA DI CONNESSIONE)
FLAT FLEX CIRCUITRY PREPARATION (MATING TAIL)



INTAGLI PER LA RITENZIONE
RETENTION NOTCHES



CONFIGURAZIONE RACCOMANDATA SUL C. S.
RECOMMENDED P. C. BOARD HOLE DIMENSION

MATERIALI: CORPO E COPERCHIO: PBT NERO CARICATO F. V., UL 94 V0
CONTATTI: BRONZO FOSFOROSO DI SPESSORE 0.15 mm
PRESTAGNATO SALDABILE

MATERIALS: BODY AND COVER: BLACK G. F. PBT, UL 94 V0
CONTACTS: PHOSPHOR BRONZE SOLDERABLE TIN PREPLATED STRIP, 0.15 mm THICK

STD. DESCR.: FFC CONN VERT (insert contact number) CKT

NOTE: 1) IL PRODOTTO VIENE FORNITO IN TUBI (VEDI FOGLIO 2/2)
2) CARATTERISTICHE TECNICHE E FUNZIONALI COME DA PS 90500.
3) LUNGHEZZA MINIMA DI ESPOSIZIONE DELLE PISTE
4) SPQ: VEDERE FOGLIO 2/2

NOTE: 1) PRODUCT WILL BE SUPPLIED PACKAGED IN A TUBE (SEE SHEET 2/2)
2) TECHNICAL CHARACTERISTICS AS INDICATED IN PS90500.
3) MINIMUM EXPOSED LENGTH OF TRACKS
4) SPQ: SEE SHEET 2/2

| | |
|----------------------------|-----------------|
| EC NO: Z2005-0177 | QUALITY SYMBOLS |
| DRWN: SBARBIERI 2005/05/19 | ▽=0 |
| CHKD: RSANDANO 2005/05/20 | ▽=0 |
| APPR: FBI SELLO 2005/05/20 | |
| REV | |
| B1 | |

| | | | | | | | |
|--|-------|--|-----------------------|--------------------|---|---------------------------|--|
| GENERAL TOLERANCES (UNLESS SPECIFIED) | | DIMENSION STYLE MM ONLY | | SCALE 5:1 | DESIGN UNITS METRIC | FIRST ANGLE PROJECTION | |
| | mm | INCH | DRAWN BY SBARBIERI | DATE 2000/04/13 | TITLE FFC CONNECTOR VERTICAL MOUNTING VERSION | | |
| 4 PLACES | ±--- | ±--- | CHECKED BY | DATE | MOLEX INCORPORATED | | |
| 3 PLACES | ±--- | ±--- | DATE | | | | |
| 2 PLACES | ±0.05 | ±--- | APPROVED BY | DATE | DOCUMENT NO. SD-90500-001 | | |
| 1 PLACE | ±0.10 | ±--- | DATE | | | | |
| ANGULAR ±---° | | | MATERIAL NO. | | SHEET NO. 1 OF 2 | | |
| DRAFT WHERE APPLICABLE MUST REMAIN WITHIN DIMENSIONS | | | SEE SHT 2/2 | | | | |
| SIZE A3 | | THIS DRAWING CONTAINS INFORMATION THAT IS PROPRIETARY TO MOLEX INCORPORATED AND SHOULD NOT BE USED WITHOUT WRITTEN PERMISSION | | | | | |

9 8 7 6 5 4 3 2 1

| N° . DI CODICE PART. NO. | ATTREZZAGGIO TOOLING | N° . VIE CCT NO. | DIM "A" | DIM "B" | DIM "C" | DIM "D" | N° . CONN./TUBO CONN. NO./TUBE | N° . CONN./SCATOLA CONN. NO./BOX (SPQ) |
|-----------------------------|------------------------------|---------------------|---------|---------|---------|---------|-----------------------------------|---|
| 90500-3002 | NON ATTREZZATO NOT TOOLED | 2 | | | | | | |
| 90500-3003 | " | 3 | | | | | | |
| 90500-3004 | ATTREZZATO TOOLED | 4 | 22.52 | 7.62 | 12.92 | 12.82 | 24 | 4320 |
| 90500-3005 | " | 5 | 25.06 | 10.16 | 15.46 | 15.36 | 21 | 3780 |
| 90500-3006 | " | 6 | 27.60 | 12.70 | 18.00 | 17.90 | 19 | 3420 |
| 90500-3007 | " | 7 | 30.14 | 15.24 | 20.54 | 20.44 | 17 | 3060 |
| 90500-3008 | " | 8 | 32.68 | 17.78 | 23.08 | 22.98 | 16 | 2880 |
| 90500-3009 | " | 9 | 35.22 | 20.32 | 25.62 | 25.52 | 15 | 2700 |
| 90500-3010 | " | 10 | 37.76 | 22.86 | 28.16 | 28.06 | 14 | 2520 |
| 90500-3011 | " | 11 | 40.30 | 25.40 | 30.70 | 30.60 | 13 | 2340 |
| 90500-3012 | " | 12 | 42.84 | 27.94 | 33.24 | 33.14 | 12 | 2160 |
| 90500-3013 | " | 13 | 45.38 | 30.48 | 35.78 | 35.68 | 11 | 1980 |
| 90500-3014 | " | 14 | 47.92 | 33.02 | 38.32 | 38.22 | 11 | 1980 |
| 90500-3015 | " | 15 | 50.46 | 35.56 | 40.86 | 40.76 | 10 | 1800 |
| 90500-3016 | " | 16 | 53.00 | 38.10 | 43.40 | 43.30 | 10 | 1800 |
| 90500-3017 | " | 17 | 55.54 | 40.64 | 45.94 | 45.84 | 9 | 1620 |
| 90500-3018 | " | 18 | 58.08 | 43.18 | 48.48 | 48.38 | 9 | 1620 |
| 90500-3019 | " | 19 | 60.62 | 45.72 | 51.02 | 50.92 | 8 | 1440 |
| 90500-3020 | " | 20 | 63.16 | 48.26 | 53.56 | 53.46 | 8 | 1440 |

| | | | | | | | | | | | | | | | | | | | | | | | |
|--|-----------------|--|----------------------------|--------------|------------------------|------------------------|-------|-------|----------|-------|-------|----------|--------|-------|---------|--------|-------|----------------|--|--|--|--|---|
| EC NO: Z2005-0177 DRWN:SBARBERI 2005/05/19 CHKD:RSANDANO 2005/05/20 APPR:FBISELLO 2005/05/20 REV DESCRIPTION | QUALITY SYMBOLS | GENERAL TOLERANCES (UNLESS SPECIFIED) | DIMENSION STYLE MM ONLY | SCALE --- | DESIGN UNITS METRIC | FIRST ANGLE PROJECTION | | | | | | | | | | | | | | | | | |
| | ▽=0 ∇=0 | <table border="1"> <tr> <td></td> <td>mm</td> <td>INCH</td> </tr> <tr> <td>4 PLACES</td> <td>± ---</td> <td>± ---</td> </tr> <tr> <td>3 PLACES</td> <td>± ---</td> <td>± ---</td> </tr> <tr> <td>2 PLACES</td> <td>± 0.05</td> <td>± ---</td> </tr> <tr> <td>1 PLACE</td> <td>± 0.10</td> <td>± ---</td> </tr> <tr> <td colspan="3">ANGULAR ± ---°</td> </tr> </table> | | mm | INCH | 4 PLACES | ± --- | ± --- | 3 PLACES | ± --- | ± --- | 2 PLACES | ± 0.05 | ± --- | 1 PLACE | ± 0.10 | ± --- | ANGULAR ± ---° | | | DRAWN BY SBARBERI DATE 2000/04/15 CHECKED BY RSANDANO DATE 2000/04/15 APPROVED BY FBISELLO DATE 2000/04/15 MATERIAL NO. | TITLE FFC CONNECTOR VERTICAL MOUNTING VERSION | MOLEX INCORPORATED DOCUMENT NO. SD-90500-001 SHEET NO. 2 OF 2 |
| | | mm | INCH | | | | | | | | | | | | | | | | | | | | |
| | 4 PLACES | ± --- | ± --- | | | | | | | | | | | | | | | | | | | | |
| 3 PLACES | ± --- | ± --- | | | | | | | | | | | | | | | | | | | | | |
| 2 PLACES | ± 0.05 | ± --- | | | | | | | | | | | | | | | | | | | | | |
| 1 PLACE | ± 0.10 | ± --- | | | | | | | | | | | | | | | | | | | | | |
| ANGULAR ± ---° | | | | | | | | | | | | | | | | | | | | | | | |
| DRAFT WHERE APPLICABLE MUST REMAIN WITHIN DIMENSIONS | SEE TABLE | THIS DRAWING CONTAINS INFORMATION THAT IS PROPRIETARY TO MOLEX INCORPORATED AND SHOULD NOT BE USED WITHOUT WRITTEN PERMISSION | | | | | | | | | | | | | | | | | | | | | |
| B1 | SIZE A3 | | | | | | | | | | | | | | | | | | | | | | |
| | | | | | | | | | | | | | | | | | | | | | | | |