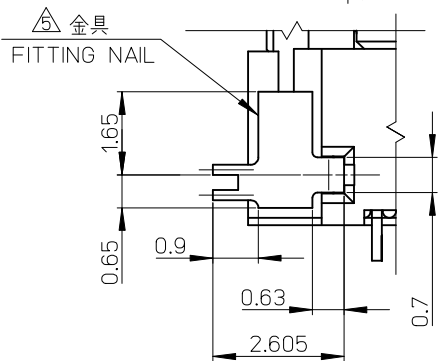


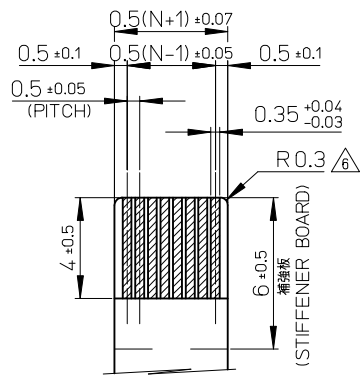
| | | | | | |
|------|------|-------|------|------------|----|
| 21.6 | 19.6 | 15.65 | 14.5 | 52437-3072 | 30 |
| 21.1 | 19.1 | 15.15 | 14.0 | 52437-2972 | 29 |
| 20.6 | 18.6 | 14.65 | 13.5 | 52437-2872 | 28 |
| 20.1 | 18.1 | 14.15 | 13.0 | 52437-2772 | 27 |
| 19.6 | 17.6 | 13.65 | 12.5 | 52437-2672 | 26 |
| 19.1 | 17.1 | 13.15 | 12.0 | 52437-2572 | 25 |
| 18.6 | 16.6 | 12.65 | 11.5 | 52437-2472 | 24 |
| 18.1 | 16.1 | 12.15 | 11.0 | 52437-2372 | 23 |
| 17.6 | 15.6 | 11.65 | 10.5 | 52437-2272 | 22 |
| 17.1 | 15.1 | 11.15 | 10.0 | 52437-2172 | 21 |

| | | | | | |
|---|---|---|-----|------------------|------|
| D | C | B | (A) | EMBOSSED PACKAGE | 極数 |
| | | | | ORDER No. オーダー番号 | CKT. |

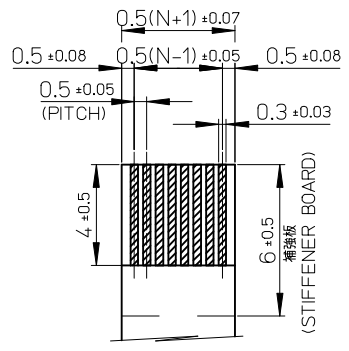
CONNECTOR SERIES NO. : 52437-**26



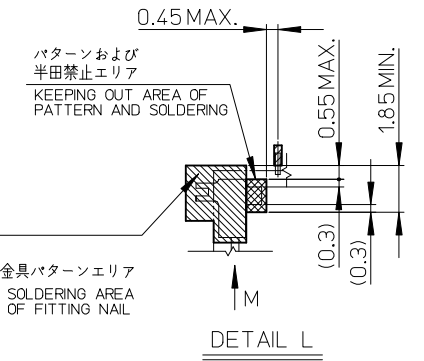
| | | | | | | | | | | |
|--|---------------------------------------|---------------------------------|----------------------------|---|---|--------------|------------------------|-----------|------------------------|--|
| REVISED EC NO.: J2013-1532 2013/06/21 DRAWN: INOUE01 2013/06/21 CHKD: HIJIMA 2013/06/21 APPR: YNOGAWA 2013/06/28 | GENERAL TOLERANCES (UNLESS SPECIFIED) | | DIMENSION STYLE MM ONLY | | SCALE --- | | DESIGN UNITS METRIC | | THIRD ANGLE PROJECTION | |
| | 10 UNDER | ±0.2 | DRAWN BY | DATE | TITLE | | | | | |
| | 10 OVER 30 UNDER | ±0.25 | YSAKIYAM | '04/01/08 | 0.5 FPC CONN. ZIF FOR SMT R/A (BOTTOM CONTACT) TIN-BISMUTH PLATING molex | | | | | |
| | 30 OVER | ±0.3 | MSASAO | '04/01/08 | | | | | | |
| ANGULAR ±3 ° | | APPROVED BY MSASAO '04/01/08 | | MATERIAL NO. | | DOCUMENT NO. | | SHEET NO. | | |
| DRAFT WHERE APPLICABLE MUST REMAIN WITHIN DIMENSIONS | | SEE CHART | | THIS DRAWING CONTAINS INFORMATION THAT IS PROPRIETARY TO MOLEX INCORPORATED AND SHOULD NOT BE USED WITHOUT WRITTEN PERMISSION | | SD-52437-017 | | 1 OF 2 | | |



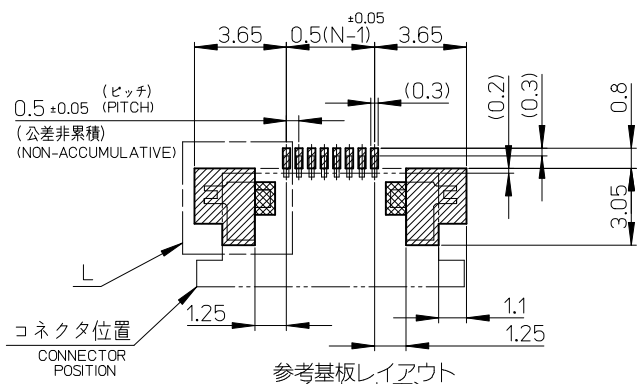
適合錫系めっきFPC推奨寸法
 APPLICABLE FPC OF TIN
 PLATING RECOMMENDED DIMENSION
 仕上がり厚さ: 0.3±0.05
 THICKNESS: 0.3+0.05/-0.05



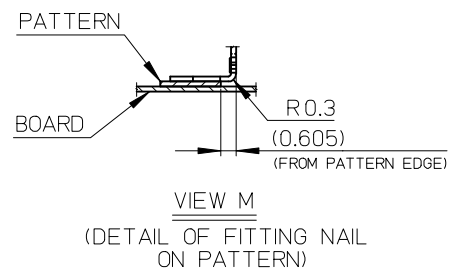
適合錫系めっきFFC推奨寸法
 APPLICABLE FFC OF TIN
 PLATING RECOMMENDED DIMENSION
 仕上がり厚さ: 0.3±0.05
 THICKNESS: 0.3+0.05/-0.05



DETAIL L



参考基板レイアウト
 (マウント面)
 RECOMMENDED P.C.BOARD
 PATTERN DIMENSION (REF.)
 (MOUNTING SIDE)



VIEW M
 (DETAIL OF FITTING NAIL
 ON PATTERN)

注記NOTES

1. 使用材料
 MATERIAL
 ハウジング: 46ナイロン、ガラス充填、UL94V-0、白
 HOUSING: PA46, GLASS FILLED, UL94V-0, WHITE
 アクチュエータ: ポリフェニレンサルフィド (PPS)、ガラス充填、UL94V-0、茶色
 ACTUATOR: POLYPHENYLENE SULFIDE, GLASS FILLED, UL94V-0, BROWN
 ターミナル: リン青銅、ニッケル下地錫ビスマスめっき (t=0.2)
 TERMINAL: PHOSPHOR BRONZE, TIN BISMUTH OVER NICKEL PLATING
 金具: リン青銅、ニッケル下地錫めっき (t=0.2)
 FITTING NAIL: PHOSPHOR BRONZE, TIN OVER NICKEL PLATING
2. エンボステープ梱包時は、アクチュエータがロックした状態になります。
 IN THE PACKAGE, ACTUATOR OF PART NO.52437-**x26 SHOULD BE LOCKED.
- △ ソルダータール半田付け面のズレ量、及び金具半田付け面のズレ量は、基準面Hに対して上方向に0.1MAXIMUM、下方向0.15MAXIMUMとする。
 MISALIGNMENT OF SOLDER TAILS AND FITTING NAILS FROM DATUM-H.
 UPPER DIRECTION: 0.1MAXIMUM
 LOWER DIRECTION: 0.15 MAXIMUM
- △ 偶数極に適用
 APPLY FOR EVEN CIRCUIT.
- △ ハターン剥離止め金具
 FITTING NAIL FOR PREVENTION OF PEELING OF P.W.B. PATTERN.
- △ R0.3は、FPCの導体部にかからないこと
 R0.3 MUST NOT BE OVERLAPED TO PATTERN OF FPC.
7. ソルダータールの平坦度は、0.1MAXIMUMとする。
 SOLDER TAIL COPLANARITY IS 0.1 MAXIMUM.
8. ELV 及び RoHS 適合品
 ELV AND RoHS COMPLIANT

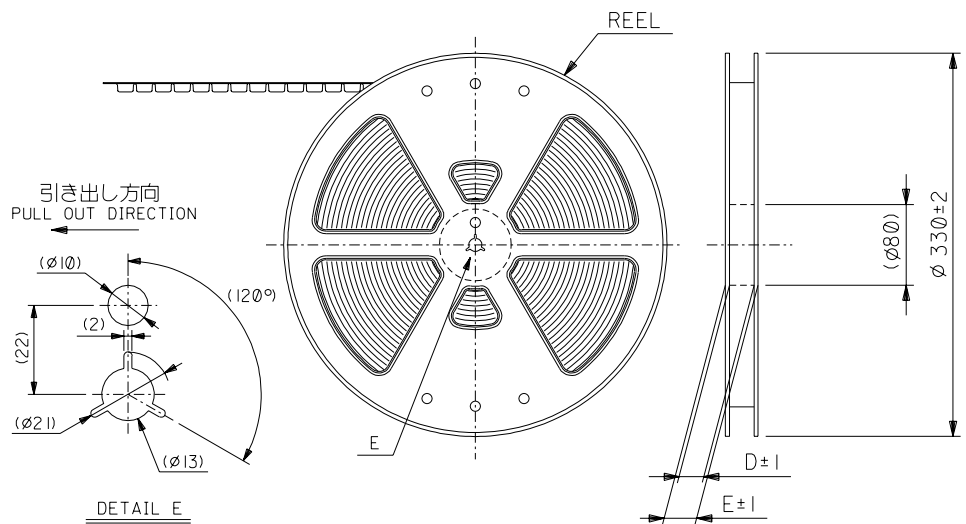
FPCについて:

打抜き方向は導体側から補強板側を推奨致します。
 補強フィルム材質はポリイミドを推奨致します。
 接着剤は熱硬化接着剤を推奨致します。

ABOUT FPC:

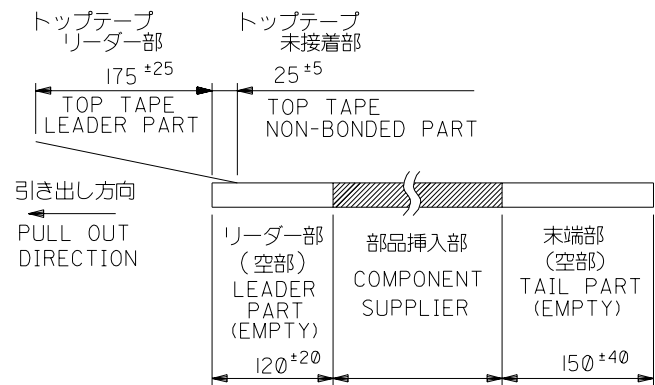
RECOMMENDED PUNCHER DIRECTION :
 FROM CONDUCTOR SIDE TO STIFFENER BOARD SIDE.
 RECOMMENDED MATERIAL:
 STIFFENER FILM : POLYIMIDE
 BONDING AGENT : THERMOSETTING BONDING AGENT

| | | | | | | | | | |
|--|--|--|-------|----------------------------|-------------------|---|------------------------|---------------------------|--|
| REVISED EC NO: J2013-1532 2013/06/21 DRWNN:INOUE01 2013/06/21 CHKDHI:JIMA 2013/06/21 APPR:YNOGAWA 2013/06/28 | DESCRIPTION | GENERAL TOLERANCES (UNLESS SPECIFIED) | | DIMENSION STYLE MM ONLY | | SCALE --- | DESIGN UNITS METRIC | THIRD ANGLE PROJECTION | |
| | | 10 UNDER | ±0.2 | DRAWN BY YSAKIYAM | DATE '04/01/08 | TITLE 0.5 FPC CONN. ZIF FOR SMT R/A (BOTTOM CONTACT) TIN-BISMUTH PLATING | | | |
| | | 10 OVER 30 UNDER | ±0.25 | CHECKED BY MSASAO | DATE '04/01/08 | | | | |
| | | 30 OVER | ±0.3 | APPROVED BY MSASAO | DATE '04/01/08 | | | | |
| ANGULAR | ±3 ° | DRAFT WHERE APPLICABLE MUST REMAIN WITHIN DIMENSIONS | | MATERIAL NO. SEE CHART | | DOCUMENT NO. SD-52437-017 | SHEET NO. 2 OF 2 | | |
| SIZE A3 | THIS DRAWING CONTAINS INFORMATION THAT IS PROPRIETARY TO MOLEX INCORPORATED AND SHOULD NOT BE USED WITHOUT WRITTEN PERMISSION | | | | | | | | |



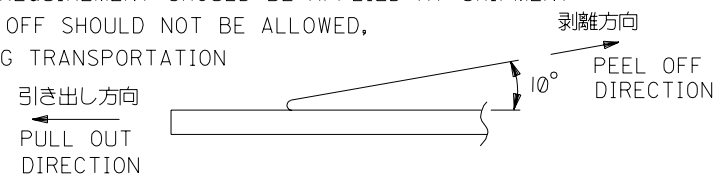
注記 NOTES

- 製品番号 52437-***26 の梱包状態はアクチュエータがロックした状態とする。
詳細寸法については図面 SD-52437-017 を参照下さい。
IN THE PACKAGE,ACTUATOR OF PART NO.52437-***26 SHOULD BE LOCKED RE DETAILED DIMENSIONS,SEE SD-52437-017.
- 梱包数量：1000個/リール
NUMBER OF CONNECTORS:1000PCS/REEL
- リードテープ長さ LEAD TAPE LENGTH



- トップテープの剥離強度：(剥離方向は下図参照)
0.1N~1.3N {10gf~130gf}尚、本規格値は、出荷時に適用。
(但し、輸送時に剥離が発生しない事。)

PEELING OFF FORCE OF TOP TAPE
0.1N ~1.3N(10gf ~130gf)(PEELING DIRECTION AS SHOWN IN FOLLOWING FIG.)
THIS REQUIREMENT SHOULD BE APPLIED AT SHIPMENT
PEEL OFF SHOULD NOT BE ALLOWED,
DURING TRANSPORTATION



- 材料 (MATERIAL)
キャリアテープ (CARRIER TAPE) :ポリプロピレン (POLYPROPYLENE)
トップテープ (TOPTAPE) : PET, PE, PEF
リール (REEL) : ポリスチレン (PS) <リサイクル材を含む>
POLYSTYREN (PS) <RECYCLE MATERIAL CONTAINED>

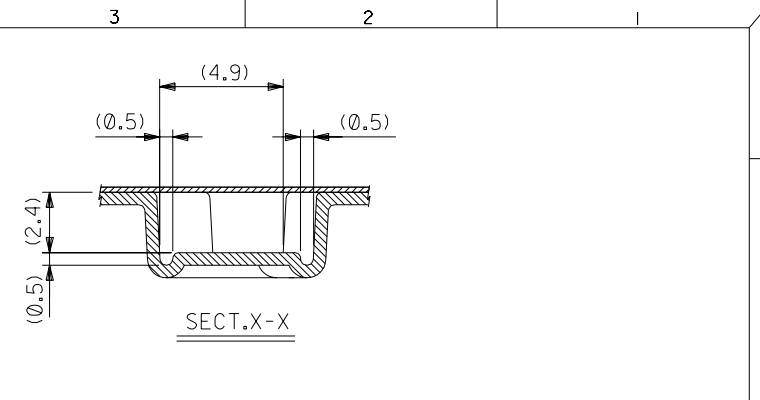
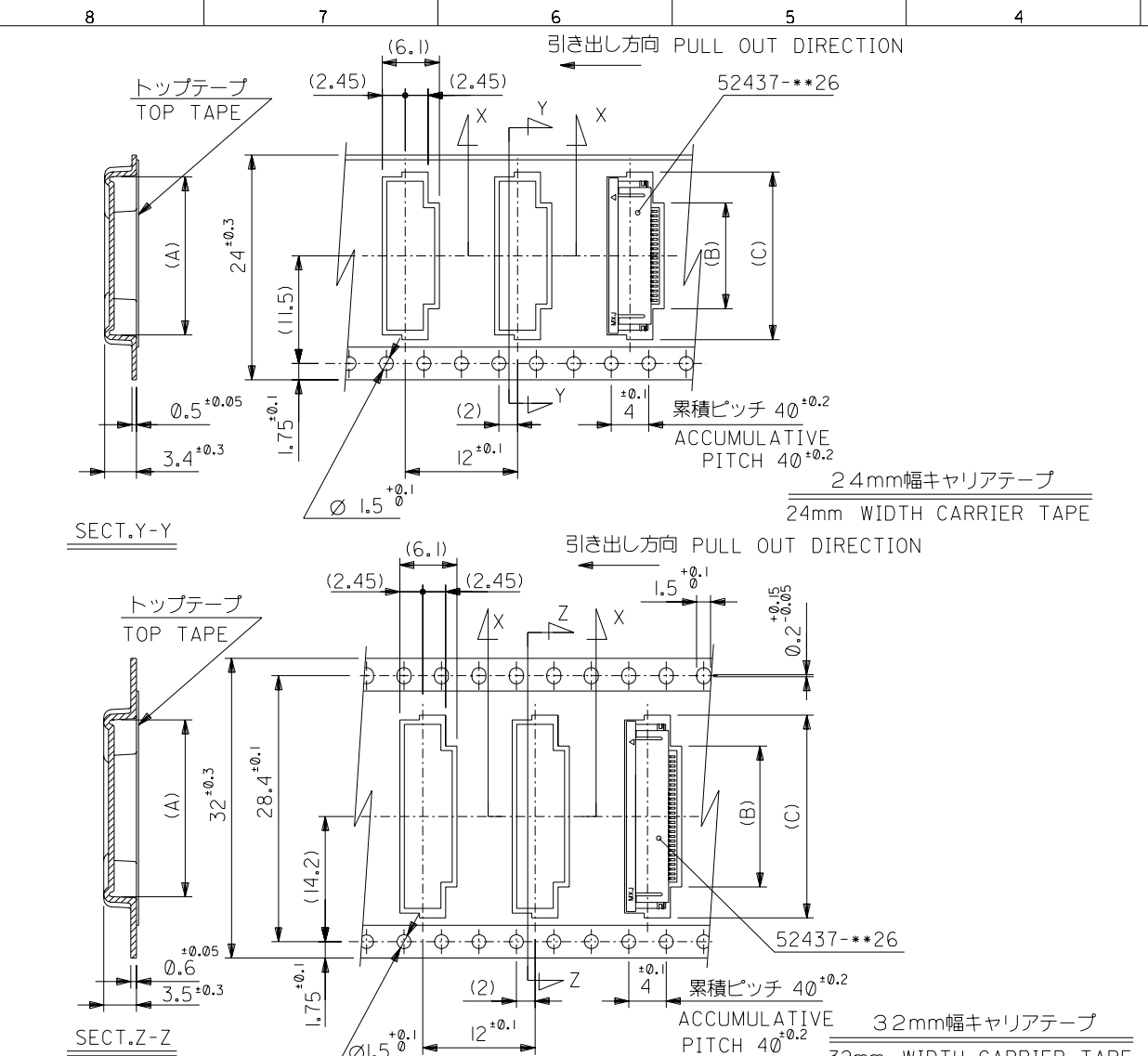
- 本製品は 52437-***91 の鉛フリー品である。
THIS PRODUCT IS LEAD FREE OF 52437-***91.

DO NOT SCALE DRAWING

| | | | | | | | | | | | | |
|----------------------------------|----------------------------------|----------------------------------|--|----------------|---|---------------|--|--|---|-----------------------------|---------------------|-----------|
| EC NO. DRWN: CHK: APPR: | EC NO. DRWN: CHK: APPR: | EC NO. DRWN: CHK: APPR: | REVISED '04/02/09 | MATERIAL 材料 | GENERAL TOLERANCES: (UNLESS SPECIFIED) 一般公差 | SCALE —//— | DESIGN UNITS <input checked="" type="checkbox"/> mm <input type="checkbox"/> INCH | THIRD ANGLE PROJECTION | DIMENSIONS: | | SHT | REV |
| | | | EC NO. J2004-2350 DRWN: N.AIDA CHK: K.TOJO APPR: M.SASAO | | | | | | FINISH 仕上げ | 10 UNDER 未満 | | |
| A | 0 | | RELEASED '04/01/08 | DESCRIPTION | WIRE RANGE 適用層線範囲 | ANGLE 角度 | DRAWN BY & DATE Y.SAKIYAMA '04/01/08 | CHECKED BY & DATE M.SASAO '04/01/08 | APPROVED BY & DATE M.SASAO '04/01/08 | TITLE: | | |
| | | | EC NO. J2004-1850 DRWN: Y.SAKIYAMA CHK: M.SASAO APPR: M.SASAO | | | | | | | INS. RANGE 被覆外径 | 30 OVER 以上 | ±0.3 |
| 8 | 7 | 6 | 5 | 4 | 3 | 2 | CAD FILENAME SD-52437-018.S01 | | MATERIAL NO. 52437-***72 | DRAWING NO. SD-52437-018 | SHEET NO. 1 OF 3 | SIZE B |

THIS DRAWING CONTAINS INFORMATION THAT IS PROPRIETARY TO MOLEX INCORPORATED AND SHOULD NOT BE USED WITHOUT WRITTEN PERMISSION.

DO NOT SCALE DRAWING

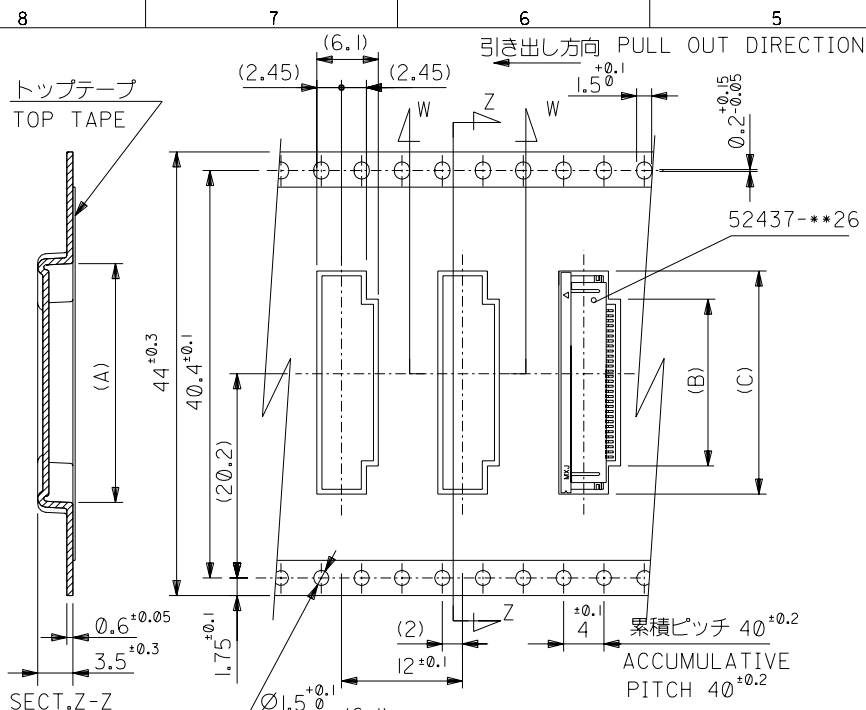


| | | | | | | | |
|------|------|------|------------|------|------|------------|----|
| 32 | 37.4 | 33.4 | 22.4 | 15.8 | 21.4 | 52437-2972 | 29 |
| | | | 21.9 | 15.3 | 20.9 | -2872 | 28 |
| | | | 21.4 | 14.8 | 20.4 | -2772 | 27 |
| | | | 20.9 | 14.3 | 19.9 | -2672 | 26 |
| | | | 20.4 | 13.8 | 19.4 | -2572 | 25 |
| | | | 19.9 | 13.3 | 18.9 | -2472 | 24 |
| | | | 19.4 | 12.8 | 18.4 | -2372 | 23 |
| | | | 18.9 | 12.3 | 17.9 | -2272 | 22 |
| | | | 17.9 | 11.3 | 16.9 | -2072 | 20 |
| | | | 17.4 | 10.8 | 16.4 | -1972 | 19 |
| 24 | 29.4 | 25.4 | 16.9 | 10.3 | 15.9 | -1872 | 18 |
| | | | 16.4 | 9.8 | 15.4 | -1772 | 17 |
| | | | 15.9 | 9.3 | 14.9 | -1672 | 16 |
| | | | 15.4 | 8.8 | 14.4 | -1572 | 15 |
| | | | 14.9 | 8.3 | 13.9 | -1472 | 14 |
| | | | 14.4 | 7.8 | 13.4 | -1372 | 13 |
| | | | 13.9 | 7.3 | 12.9 | -1272 | 12 |
| | | | 13.4 | 6.8 | 12.4 | -1172 | 11 |
| | | | 12.9 | 6.3 | 11.9 | -1072 | 10 |
| | | | 12.4 | 5.8 | 11.4 | -0972 | 9 |
| 11.9 | 5.3 | 10.9 | -0872 | 8 | | | |
| 11.4 | 4.8 | 10.4 | -0772 | 7 | | | |
| 10.9 | 4.3 | 9.9 | 52437-0672 | 6 | | | |

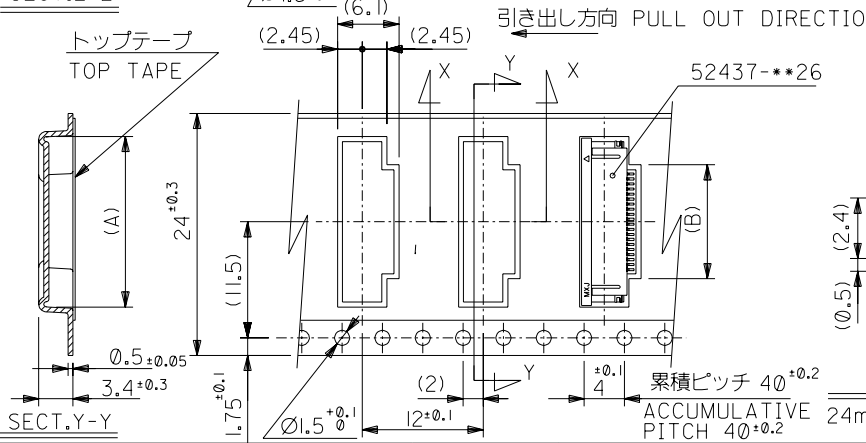
| | | | | | | | | | | | |
|----------------------------------|----------------------------------|----------------------------------|--|--|--|---|---|--|---|--|----------------------|
| EC NO. DRWN: CHK: APPR: | EC NO. DRWN: CHK: APPR: | EC NO. DRWN: CHK: APPR: | REVISED '04/02/09 EC NO. J2004-2350 DRWN: N.AIDA CHK: K.TOJO APPR: M.SASAO | RELEASED '04/01/08 EC NO. J2004-1850 DRWN: Y.SAKIYAMA CHK: M.SASAO APPR: M.SASAO | MATERIAL 材料 SHEET 1 OF 3 参照 REFER TO SHEET 1 OF 3 | GENERAL TOLERANCES: (UNLESS SPECIFIED) 一般公差 | SCALE 1/1 | DESIGN UNITS <input checked="" type="checkbox"/> mm <input type="checkbox"/> INCH | THIRD ANGLE PROJECTION <input checked="" type="checkbox"/> mm <input type="checkbox"/> INCH | DIMENSIONS: <input type="checkbox"/> mm <input type="checkbox"/> INCH | SHT REV |
| | | | A | 0 | WIRE RANGE 適用層線範囲 // | 10 UNDER 未滿 ±0.2 | DRAWN BY & DATE Y.SAKIYAMA '04/01/08 | TITLE: 0.5 FPC Conn Assy ZIF SMT RA With Tape Embstp Pkg -LEAD FREE- | MOLEX INCORPORATED | | REVISION CAD ONLY |
| | | | | | INS. RANGE 被覆外径 // | 10 OVER 30 UNDER 未滿 ±0.25 | CHECKED BY & DATE M.SASAO '04/01/08 | MATERIAL NO. 52437-***72 | | DRAWING NO. SD-52437-018 | SHEET NO. 2 OF 3 |
| | | | | | | 30 OVER 以上 ±0.3 | APPROVED BY & DATE M.SASAO '04/01/08 | DRAWING NO. SD-52437-018.S02 | | DRAWING NO. SD-52437-018 | SHEET NO. 2 OF 3 |
| | | | | | | ANGLE 角度 ±3° | CAD FILENAME SD-52437-018.S02 | | THIS DRAWING CONTAINS INFORMATION THAT IS PROPRIETARY TO MOLEX INCORPORATED AND SHOULD NOT BE USED WITHOUT WRITTEN PERMISSION. | | SIZE B |

DO NOT SCALE DRAWING

DWG. NO.
SD-52437-018



| | | | | | | | |
|--------------------------------|------|------|------|------|------|--------------|---------------|
| 44 | 49.4 | 45.4 | 22.9 | 16.3 | 21.9 | 52437-3072 | 30 |
| キャリアテープ幅 CARRIER TAPE WIDTH | E | D | (C) | (B) | (A) | MATERIAL NO. | 極数 CIRCUIT |



| | | | | | | |
|--------------------------------|------|------|------|------|--------------|---------------|
| 24 | 29.4 | 25.4 | 11.8 | 17.4 | 52437-2172 | 21 |
| キャリアテープ幅 CARRIER TAPE WIDTH | E | D | (B) | (A) | MATERIAL NO. | 極数 CIRCUIT |

| | | | | | |
|----------------------------------|----------------------------------|----------------------------------|--|--|-------------|
| EC NO. DRWN: CHK: APPR: | EC NO. DRWN: CHK: APPR: | EC NO. DRWN: CHK: APPR: | REVISED '04/02/09 EC NO. J2004-2350 DRWN: N.AIDA CHK: K.TOJO APPR: M.SASAO | RELEASED '04/01/08 EC NO. J2004-1850 DRWN: Y.SAKIYAMA CHK: M.SASAO APPR: M.SASAO | DESCRIPTION |
| | | | A | 0 | |

| | | |
|----------------------|--|--|
| MATERIAL 材料 | SHEET 1 OF 3 参照 REFER TO SHEET 1 OF 3 | |
| FINISH 仕上げ | // | |
| WIRE RANGE 適用線径範囲 | // | |
| INS. RANGE 被覆外径 | // | |

| | | |
|--|-------|--|
| GENERAL TOLERANCES: (UNLESS SPECIFIED) 一般公差 | SCALE | DESIGN UNITS |
| 10 UNDER 未満 10 OVER 以上 30 UNDER 未満 30 OVER 以上 | 1/16 | mm <input checked="" type="checkbox"/> INCH <input type="checkbox"/> |
| ANGLE 角度 | 3° | |

| | | | | |
|---|--|--|-----------------------------|-----------------------------|
| THIRD ANGLE PROJECTION | DIMENSIONS: <input type="checkbox"/> mm <input type="checkbox"/> INCH <input checked="" type="checkbox"/> mm ONLY | | SHT | REV |
| DRAWN BY & DATE Y.SAKIYAMA '04/01/08 | | TITLE: 0.5 FPC Conn Assy ZIF SMT RA With Tape Embstp Pkg -LEAD FREE- | | |
| CHECKED BY & DATE M.SASAO '04/01/08 | | MOLEX MOLEX INCORPORATED | | |
| APPROVED BY & DATE M.SASAO '04/01/08 | | CAD FILENAME SD-52437-018.S03 | MATERIAL NO. 52437-***72 | DRAWING NO. SD-52437-018 |
| | | SHEET NO. 3 OF 3 | | |

THIS DRAWING CONTAINS INFORMATION THAT IS PROPRIETARY TO MOLEX INCORPORATED AND SHOULD NOT BE USED WITHOUT WRITTEN PERMISSION.

F
E
D
C
B
A