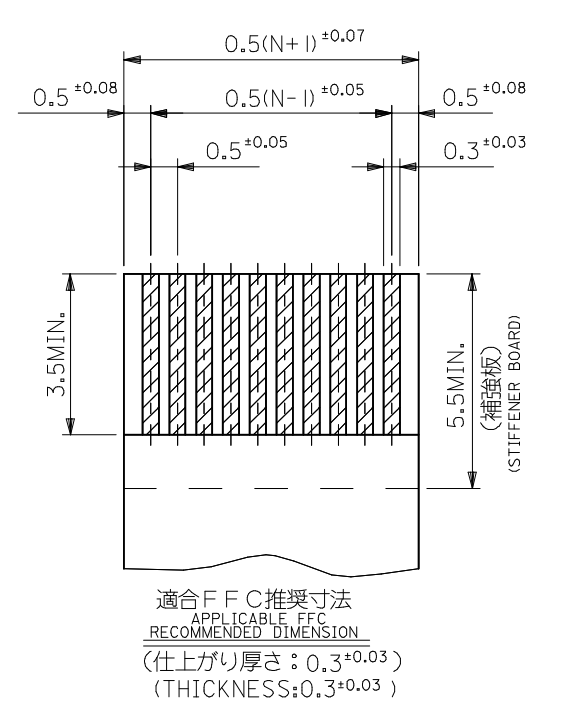
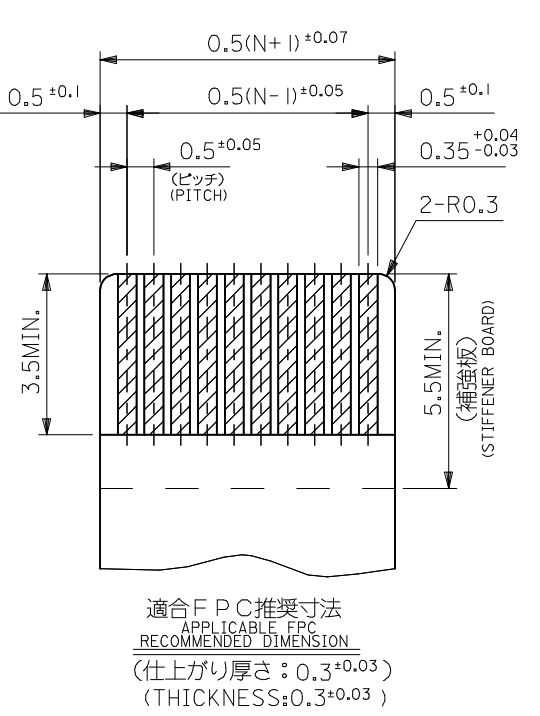
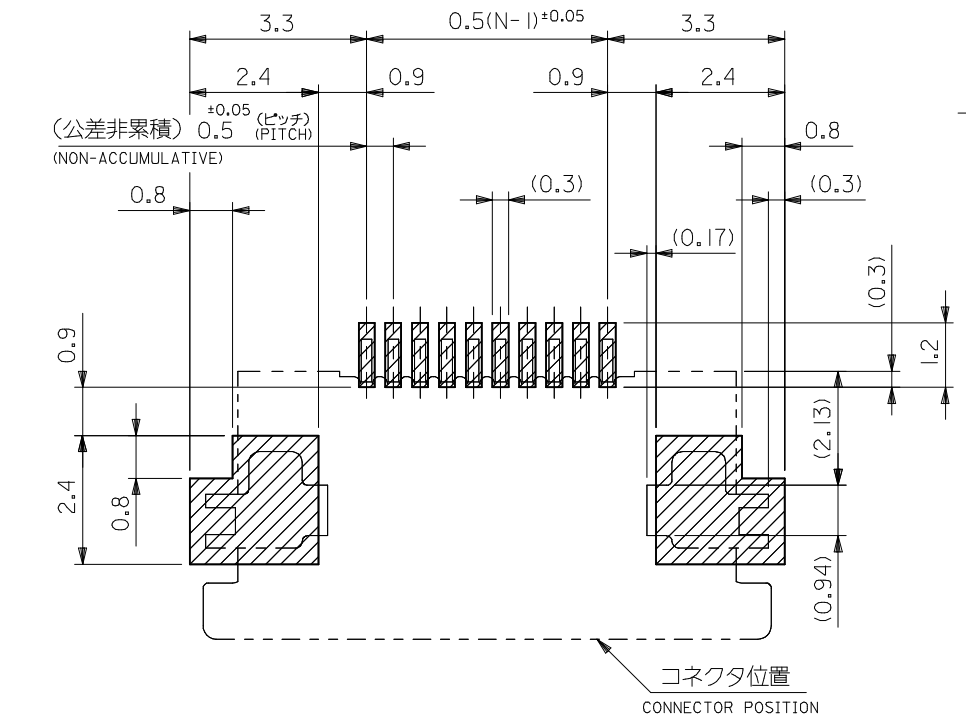


|      |      |       |      |                 |              |              |
|------|------|-------|------|-----------------|--------------|--------------|
| 30.5 | 29.3 | 25.65 | 24.5 | 54104-5096      | 54104 - 5039 | 50           |
| 28.5 | 27.3 | 23.65 | 22.5 | 54104-4696      | 54104 - 4639 | 46           |
| 28.0 | 26.8 | 23.15 | 22.0 | 54104-4596      | 54104 - 4539 | 45           |
| 27.0 | 25.8 | 22.15 | 21.0 | 54104-4396      | 54104 - 4339 | 43           |
| 25.5 | 24.3 | 20.65 | 19.5 | 54104-4096      | 54104 - 4039 | 40           |
| 24.5 | 23.3 | 19.65 | 18.5 | 54104-3896      | 54104 - 3839 | 38           |
| 23.5 | 22.3 | 18.65 | 17.5 | 54104-3696      | 54104 - 3639 | 36           |
| 23.0 | 21.8 | 18.15 | 17.0 | 54104-3596      | 54104 - 3539 | 35           |
| 22.5 | 21.3 | 17.65 | 16.5 | 54104-3496      | 54104 - 3439 | 34           |
| 22.0 | 20.8 | 17.15 | 16.0 | 54104-3396      | 54104 - 3339 | 33           |
| 21.5 | 20.3 | 16.65 | 15.5 | 54104-3296      | 54104 - 3239 | 32           |
| 20.5 | 19.3 | 15.65 | 14.5 | 54104-3096      | 54104 - 3039 | 30           |
| D    | C    | B     | A    | EMBOSSED TAPE   |              | MATERIAL NO. |
|      |      |       |      | ORDER No. オート番号 |              | CIRCUIT      |

金具  
FITTING NAIL

|  |                                       |       |  |                   |  |                        |                        |
|--|---------------------------------------|-------|--|-------------------|--|------------------------|------------------------|
| <b>REVISED</b><br>EC NO: J2008-4308<br>DRWN: NABEI 2008/06/27<br>CHKD: THARUYAMA 2008/06/30<br>APPR: NUKITA 2008/06/30 | GENERAL TOLERANCES (UNLESS SPECIFIED) |       | DIMENSION STYLE<br>MM ONLY                                 |                   | SCALE<br>---   | DESIGN UNITS<br>METRIC | THIRD ANGLE PROJECTION |
|  | 10 UNDER                              | ±0.2  | DRAWN BY<br>Y. SAKIYAMA                                    | DATE<br>'04/01/22 | TITLE<br>0.5 FPC CONN ZIF HSG<br>ASSY FOR SMT RA UPR CONT<br>-LEAD FREE-   |                        |                        |
|  | 10 OVER 30 UNDER                      | ±0.25 | CHECKED BY<br>M. SASAO                                     | DATE<br>'04/01/22 | MOLEX INCORPORATED   |                        |                        |
|  | 30 OVER                               | ±0.3  | APPROVED BY<br>M. SASAO                                    | DATE<br>'04/01/22 | DOCUMENT NO.<br>SD-54104-071   | SHEET NO.<br>1 OF 2    |                        |
|  | ANGULAR ±3°                           |       | DRAFT WHERE APPLICABLE<br>MUST REMAIN<br>WITHIN DIMENSIONS |                   | THIS DRAWING CONTAINS INFORMATION THAT IS PROPRIETARY TO MOLEX<br>INCORPORATED AND SHOULD NOT BE USED WITHOUT WRITTEN PERMISSION |                        |                        |



適合FPC推奨寸法  
 APPLICABLE FPC  
 RECOMMENDED DIMENSION  
 (仕上がり厚さ: 0.3<sup>+0.03</sup>)  
 (THICKNESS: 0.3<sup>+0.03</sup>)

適合FFC推奨寸法  
 APPLICABLE FFC  
 RECOMMENDED DIMENSION  
 (仕上がり厚さ: 0.3<sup>+0.03</sup>)  
 (THICKNESS: 0.3<sup>+0.03</sup>)

参考基板レイアウト  
 RECOMMENDED P.C.BOARD  
 PATTERN DIMENSION (REF.)  
 (マウント面)  
 (MOUNTING SIDE)

注記 NOTES

1. 使用材料 MATERIAL  
 ハウジング : 46ナイロン, UL94V-0  
 HOUSING : 46NYLON  
 アクチュエータ : PPS, UL94V-0  
 ACTUATOR  
 ターミナル : リン青銅, ニッケル下地 鍍ビスマスマッキ (t=0.2)  
 TERMINAL : PHOS-BRONZE, TIN-BISMUTH OVER NICKEL PLATING. (t=0.2)  
 金具 : リン青銅, ニッケル下地 鍍メッキ (t=0.2)  
 FITTING NAIL : PHOS-BRONZE, TIN OVER NICKEL PLATING. (t=0.2)
2. エンボステーブ梱包時は、アクチュエータがロックした状態とする。  
 IN THE PACKAGE, ACTUATOR OF PART NO.54104-\*\*\*39 SHOULD BE LOCKED.
- △ ソルダータール半田付け面のスレ量、及び金具半田付け面のスレ量は、基準面 H に対し上方向 0.1 MAX. 下方向 0.15 MAX. とし、相互のパラッキ量は、0.1 MAX. とする。  
 MISALIGNMENT OF SOLDER TAILS AND FITTING NAILS FROM UPPER DIRECTION: 0.1 MAX., LOWER DIRECTION: 0.15 MAX. OFFSET BETWEEN UPPER AND LOWER 0.1 MAX. H
- △ 偶数極に適用。  
 APPLY FOR EVEN CIRCUIT.
- △ パターンはくり止め用金具  
 FITTING NAIL FOR PREVENTION OF PEELING OF P.C.B. PATTERN.
6. 本製品は 54104-\*\*\*37 の鉛フリー品である。  
 THIS PRODUCT IS LEAD FREE OF 54104-\*\*\*37.

FPC/FFCについて  
 打抜き方向は導体側から補強板側を推奨いたします。  
 導体部については軟銅箔35マイクロメートルまたは50マイクロメートルメッキ厚 3~9マイクロメートル鍍または半田メッキ (電気メッキ)  
 RECOMMENDED PUNCHER DIRECTION:  
 FROM CONDUCTOR SIDE TO STIFFENER BOARD SIDE.  
 RECOMMENDED CONDUCTOR SPEC.:  
 THICKNESS OF SOFT COPPER FOIL:  
 35 micrometer or 50 micrometer  
 TIN OR SOLDER PLATING:  
 3~9 micrometer (ELECTRICAL PLATING)

FPCについて  
 補強フィルム材質はポリイミドを推奨致します。  
 接着剤は熱硬化接着剤を推奨致します。  
 RECOMMENDED MATERIAL:  
 STIFFENER FILM : POLYIMIDE  
 BONDING AGENT : THERMOSETTING BONDING AGENT

|  |                                       |  |                             |                   |  |                        |                        |                    |           |  |
|--|---------------------------------------|--|-----------------------------|-------------------|--|------------------------|------------------------|--------------------|-----------|--|
| REVISED<br>EC NO: J2008-4308<br>2008/06/27<br>DRWN: NABEI<br>2008/06/30<br>CHKD: T. HARUYAMA<br>2008/06/30<br>APPR: NUKITA<br>2008/06/30 | GENERAL TOLERANCES (UNLESS SPECIFIED) |  | DIMENSION STYLE<br>MM ONLY  |                   | SCALE<br>---   | DESIGN UNITS<br>METRIC | THIRD ANGLE PROJECTION | 54104-***39        | MODEL NO. |  |
|  | 10 UNDER                              | ±0.2   | DRAWN BY<br>Y. SAKIYAMA     | DATE<br>'04/01/22 | TITLE<br>0.5 FPC CONN ZIF HSG<br>ASSY FOR SMT RA UPR CONT<br>-LEAD FREE- |                        |                        |                    |           |  |
|  | 10 OVER 30 UNDER                      | ±0.25  | CHECKED BY<br>M. SASAO      | DATE<br>'04/01/22 | APPROVED BY<br>M. SASAO  |                        | DATE<br>'04/01/22      | MOLEX INCORPORATED |           |  |
|  | 30 OVER                               | ±0.3   | MATERIAL NO.<br>SEE SHEET 1 |                   | DOCUMENT NO.<br>SD-54104-071   |                        | SHEET NO.<br>2 OF 2    |                    |           |  |
| DRAFT WHERE APPLICABLE<br>MUST REMAIN<br>WITHIN DIMENSIONS   |                                       | THIS DRAWING CONTAINS INFORMATION THAT IS PROPRIETARY TO MOLEX<br>INCORPORATED AND SHOULD NOT BE USED WITHOUT WRITTEN PERMISSION |                             |                   |  |                        |                        |                    |           |  |

DWG. NO. SD-54104-072

8

7

6

5

4

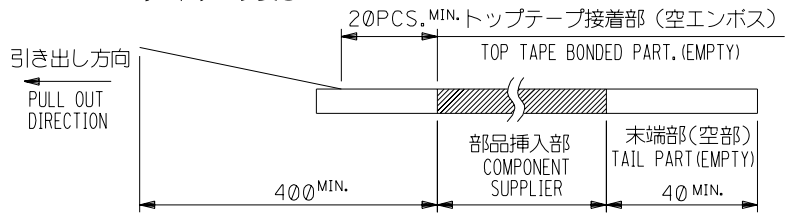
3

2

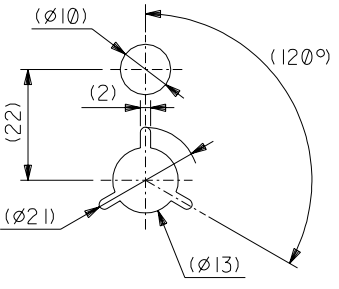
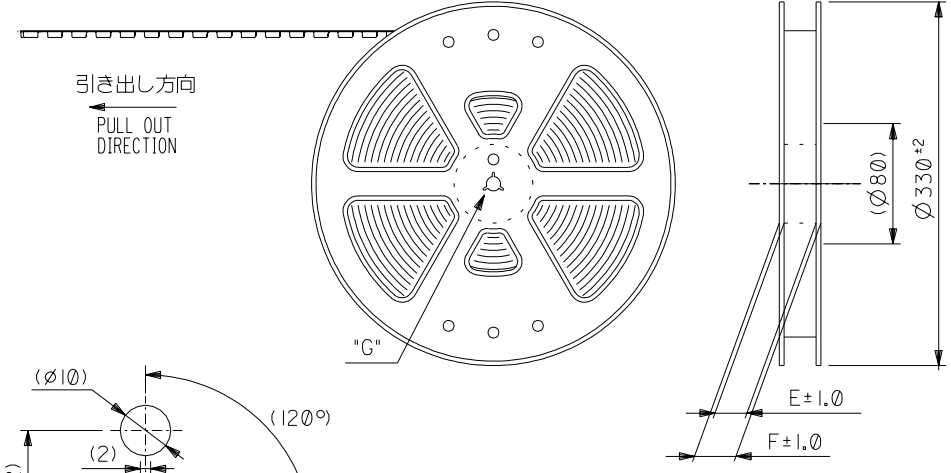
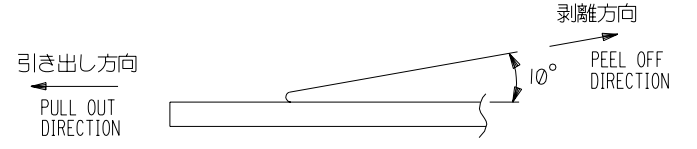
1

NOTES

- 梱包数量：1500個/リール  
NUMBER OF CONNECTORS : 1500PCS/REEL
- リードテープ長さ LEAD TAPE LENGTH



- トップテープの剥離強度：0.1～1.3N (10～130gf)  
(剥離方向は下図参照)  
尚、本規格値は出荷時に適用。(但し、輸送時に剥離が発生しないこと。)  
PEELING OFF FORCE OF TOP TAPE : 0.1～1.3N (10～130gf)  
(PEELING DIRECTION AS SHOWN IN FOLLOWING FIG.)  
THIS REQUIREMENT SHOULD BE APPLIED AT SHIPMENT.  
PEEL OFF SHOULD NOT BE ALLOWED , DURING TRANSPORTATION.



DETAIL "G"

- 材料(MATERIAL)  
キャリアテープ(CARRIER TAPE)：ポリプロピレン(POLYPROPYLENE)  
トップテープ(TOPTAPE)：PET , PE , PEF  
リール(REEL)：ポリスチレン(PS)<リサイクル材を含む>  
POLYSTYRENE (PS) <RECYCLE MATERIAL CONTAINED>
- 本製品は 54104-\*\*\*92 の鉛フリー品である。  
THIS PRODUCT IS LEAD FREE OF 54104-\*\*\*92.

|                                |      |      |      |            |      |      |              |         |
|--------------------------------|------|------|------|------------|------|------|--------------|---------|
| 44                             | 49.4 | 45.4 | 30.8 | 31.9       | 26.1 | 29.6 | 54104-5096   | 50      |
|                                |      |      | 28.8 | 29.9       | 24.1 | 27.6 | -4696        | 46      |
|                                |      |      | 28.3 | 29.4       | 23.6 | 27.1 | -4596        | 45      |
|                                |      |      | 27.3 | 28.4       | 22.6 | 26.1 | -4396        | 43      |
|                                |      |      | 25.8 | 26.9       | 21.1 | 24.6 | -4096        | 40      |
|                                |      |      | 24.8 | 25.9       | 20.1 | 23.6 | -3896        | 38      |
|                                |      |      | 23.8 | 24.9       | 19.1 | 22.6 | -3696        | 36      |
|                                |      |      | 23.3 | 24.4       | 18.6 | 22.1 | -3596        | 35      |
|                                |      |      | 22.8 | 23.9       | 18.1 | 21.6 | -3496        | 34      |
|                                |      |      | 22.3 | 23.4       | 17.6 | 21.1 | -3396        | 33      |
|                                |      |      | 21.8 | 22.9       | 17.1 | 20.6 | -3296        | 32      |
| 20.8                           | 21.9 | 16.1 | 19.6 | 54104-3096 | 30   |      |              |         |
| キャリアテープ幅<br>CARRIER TAPE WIDTH | F    | E    | D    | C          | B    | A    | MATERIAL NO. | CIRCUIT |

DO NOT SCALE DRAWING

|                                  |                                  |                                  |   |   |                                     |   |   |  |  |   |   |                              |     |
|----------------------------------|----------------------------------|----------------------------------|---|---|-------------------------------------|---|---|--|--|---|---|------------------------------|-----|
| EC NO.<br>DRWN:<br>CHK:<br>APPR: | EC NO.<br>DRWN:<br>CHK:<br>APPR: | EC NO.<br>DRWN:<br>CHK:<br>APPR: | REVISED '04/04/21<br>EC NO. J2004-3918<br>DRWN: Y.WADA<br>CHK: M.SASAO<br>APPR: M.SASAO | REVISED '04/01/22<br>EC NO. J2004-2032<br>DRWN: Y.SAKIYAMA<br>CHK: M.SASAO<br>APPR: M.SASAO | MATERIAL<br>材料<br>注記参照<br>SEE NOTES | GENERAL TOLERANCES:<br>(UNLESS SPECIFIED)<br>一般公差 | SCALE<br>---  | MODEL NO.<br>54104-***96   | DESIGN UNITS<br><input checked="" type="checkbox"/> mm <input type="checkbox"/> INCH | THIRD ANGLE<br>PROJECTION<br><input checked="" type="checkbox"/> mm <input type="checkbox"/> INCH | DIMENSIONS:<br><input type="checkbox"/> mm <input type="checkbox"/> INCH<br><input checked="" type="checkbox"/> mm ONLY | SHT<br>REVISE ON<br>CAD ONLY | REV |
|                                  |                                  |                                  | A   | 0   | FINISH<br>仕上げ<br>---                | 10 UNDER<br>未満<br>±0.2                            | DRAWN BY & DATE<br>Y.SAKIYAMA '04/01/22   | TITLE:<br>Embstp Pkg for<br>0.5 FPC Conn Zif Hsg Assy<br>-LEAD FREE- |  |   |   |                              |     |
|                                  |                                  |                                  |   |   | WIRE RANGE<br>適用層被範囲<br>---         | 10 OVER 30 UNDER<br>以上 未満<br>±0.25                | CHECKED BY & DATE<br>M.SASAO '04/01/22  | MOLEX MOLEX INCORPORATED   |  |   |   |                              |     |
|                                  |                                  |                                  |   |   | INS. RANGE<br>被覆外径<br>---           | 30 OVER<br>以上<br>±0.3                             | APPROVED BY & DATE<br>M.SASAO '04/01/22   | CAD FILENAME<br>SD-54104-072.S01                                     | MATERIAL NO.<br>SEE CHART  | DRAWING NO.<br>SD-54104-072   | SHEET NO.<br>1 OF 2   |                              |     |
|                                  |                                  |                                  |   |   | ANGLE<br>角度<br>±3°                  |   | THIS DRAWING CONTAINS INFORMATION THAT IS PROPRIETARY TO MOLEX<br>INCORPORATED AND SHOULD NOT BE USED WITHOUT WRITTEN PERMISSION. |  |  |   |   | SIZE<br>B                    |     |

8

7

6

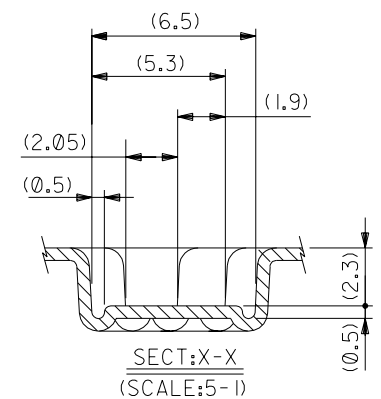
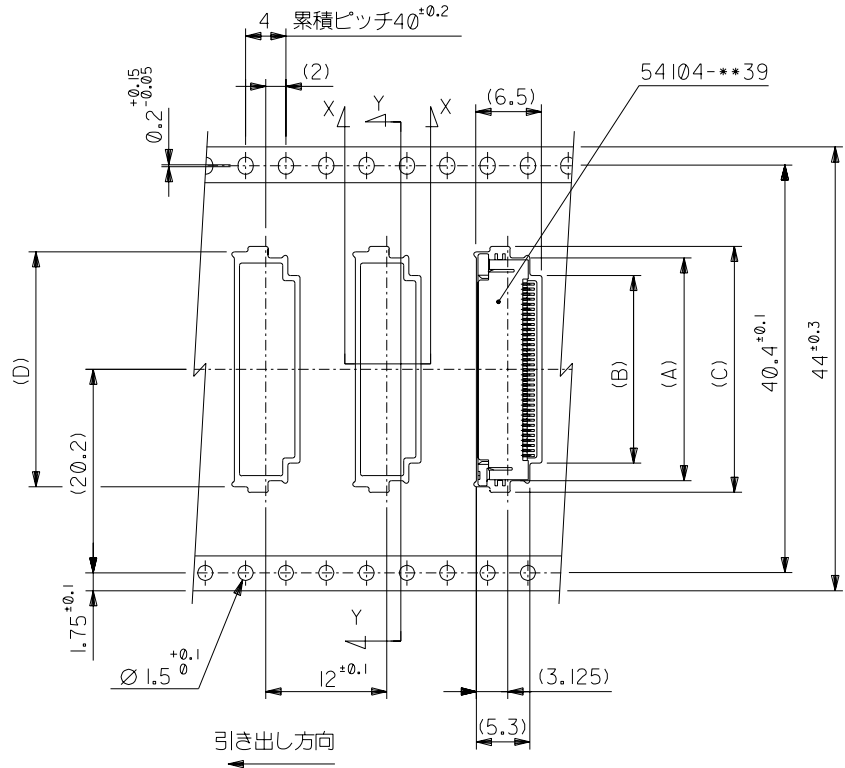
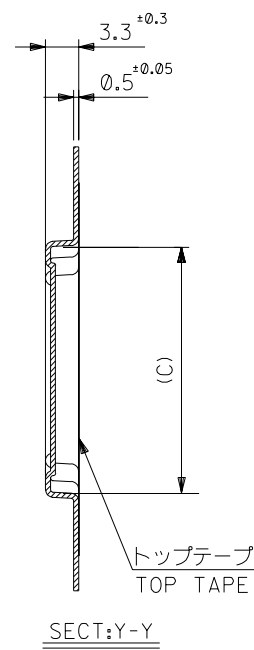
5

4

3

2

EN-02J(097) MXJ-54



DO NOT SCALE DRAWING

|                                  |                                  |   |   |  |                     |  |   |       |  |             |  |                              |           |
|----------------------------------|----------------------------------|---|---|--|---------------------|--|---|-------|--|-------------|--|------------------------------|-----------|
| EC NO.<br>DRWN:<br>CHK:<br>APPR: | EC NO.<br>DRWN:<br>CHK:<br>APPR: | EC NO.<br>DRWN:<br>CHK:<br>APPR:        | REVISED '04/04/21<br>EC NO. J2004-3918<br>DRWN: Y.WADA<br>CHK: M.SASAO<br>APPR: M.SASAO | RELEASED '04/01/22<br>EC NO. J2004-2032<br>DRWN: Y.SAKIYAMA<br>CHK: M.SASAO<br>APPR: M.SASAO | DESCRIPTION         | MATERIAL<br>材料<br>SHEET 1 OF 2 参照<br>REFER TO SHEET 1 OF 2   | GENERAL TOLERANCES:<br>(UNLESS SPECIFIED)<br>一般公差 | SCALE | MODEL NO.<br>DESIGN UNITS<br>THIRD ANGLE<br>PROJECTION | 54104-***96 | DIMENSIONS:<br><input type="checkbox"/> mm <input type="checkbox"/> INCH <input checked="" type="checkbox"/> mm ONLY | SHT<br>REVISE ON<br>CAD ONLY | REV       |
| 10 UNDER<br>未滿                   | ±0.2                             | DRAWN BY & DATE<br>Y.SAKIYAMA '04/01/22 | TITLE: Embstp Pkg for<br>0.5 FPC Conn Zif Hsg Assy<br>-LEAD FREE-                       |  |                     |  |   |       |  |             |  |                              |           |
| 10 OVER 30 UNDER<br>以上 未滿        | ±0.25                            | CHECKED BY & DATE<br>M.SASAO '04/01/22  |   |  |                     |  |   |       |  |             |  |                              |           |
| 30 OVER<br>以上                    | ±0.3                             | APPROVED BY & DATE<br>M.SASAO '04/01/22 |   |  |                     |  |   |       |  |             |  |                              |           |
| WIRE RANGE<br>適用線径範囲             | —                                | CAD FILENAME<br>SD-54104-072.S02        | MATERIAL NO.<br>SEE CHART   | DRAWING NO.<br>SD-54104-072  | SHEET NO.<br>2 OF 2 | THIS DRAWING CONTAINS INFORMATION THAT IS PROPRIETARY TO MOLEX INCORPORATED AND SHOULD NOT BE USED WITHOUT WRITTEN PERMISSION. |   |       |  |             |  |                              | SIZE<br>B |