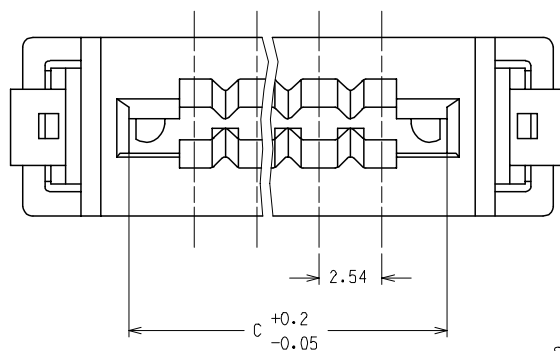
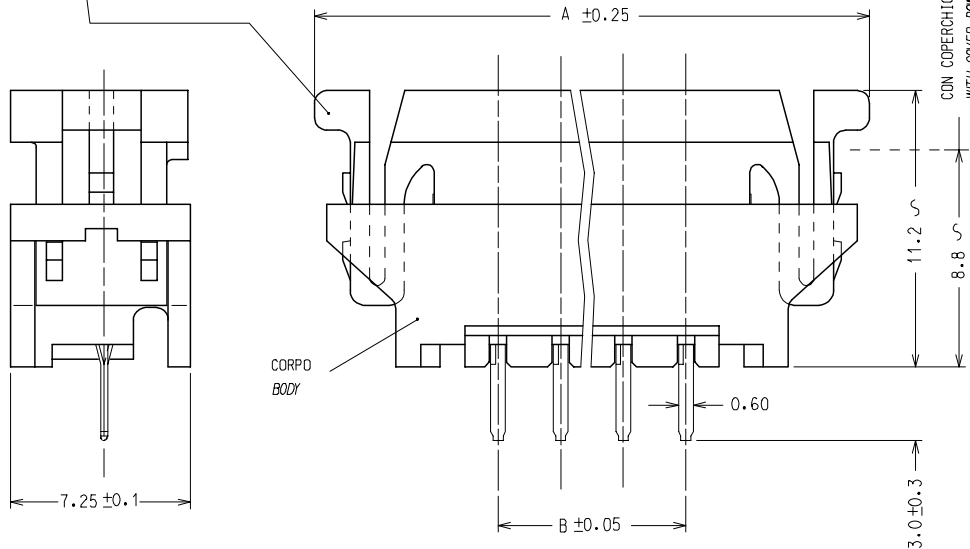


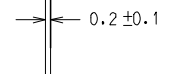
10 9 8 7 6 5 4 3 2 1

COPERCHIO  
COVER

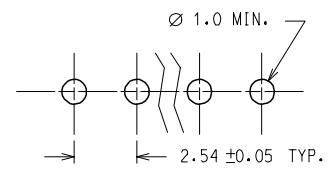
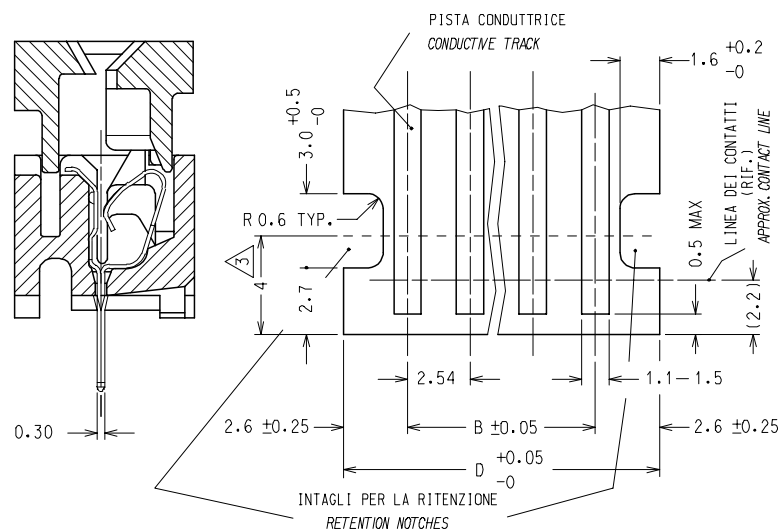
COPERCHIO ALZATO: I CONTATTI SONO APERTI PER UN AGEVOLE INSERIMENTO DEL CIRCUITO FLESSIBILE  
COVER UP: CONTACTS ARE OPEN FOR AN EASY INSERTION OF THE FLEX CIRCUITRY  
COPERCHIO ABBASSATO: I CONTATTI SONO PREMUTI CONTRO LE PISTE  
COVER DOWN: CONTACTS ARE CLOSED ON THE TRACKS



CIRCUITO FLESSIBILE (SPESSORE TYPICO)  
FLEX CIRCUITRY (TYPICAL THICKNESS)



PREPARAZIONE DEL CIRCUITO FLESSIBILE (ZONA DI CONNESSIONE)  
FLAT FLEX CIRCUITRY PREPARATION (MATING TAIL)



CONFIGURAZIONE RACCOMANDATA SUL C. S.  
RECOMMENDED P. C. BOARD HOLE DIMENSION

MATERIALI: CORPO E COPERCHIO: PBT NERO CARICATO F. V., UL 94 V0  
CONTATTI: BRONZO FOSFOROSO DI SPESSORE 0.15 mm  
PRESTAGNATO SALDABILE

MATERIALS: BODY AND COVER: BLACK G. F. PBT, UL 94 V0  
CONTACTS: PHOSPHOR BRONZE SOLDERABLE TIN PREPLATED STRIP, 0.15 mm THICK

STD. DESCR.: FFC CONN VERT (insert contact number) CKT

NOTE: 1) IL PRODOTTO VIENE FORNITO IN TUBI (VEDI FOGLIO 2/2)  
2) CARATTERISTICHE TECNICHE E FUNZIONALI COME DA PS 90500.  
3) LUNGHEZZA MINIMA DI ESPOSIZIONE DELLE PISTE  
4) SPQ: VEDERE FOGLIO 2/2

NOTE: 1) PRODUCT WILL BE SUPPLIED PACKAGED IN A TUBE (SEE SHEET 2/2)  
2) TECHNICAL CHARACTERISTICS AS INDICATED IN PS90500.  
3) MINIMUM EXPOSED LENGTH OF TRACKS  
4) SPQ: SEE SHEET 2/2

|                            |                 |
|----------------------------|-----------------|
| EC NO: Z2005-0177          | QUALITY SYMBOLS |
| DRWN: SBARBIERI 2005/05/19 | ▽=0             |
| CHKD: RSANDANO 2005/05/20  | ∇=0             |
| APPR: FBI SELLO 2005/05/20 |                 |
| REV                        |                 |
| B1                         |                 |

| GENERAL TOLERANCES (UNLESS SPECIFIED)                |                 | DIMENSION STYLE |            |
|--|-----------------|-----------------|------------|
|  |                 | MM ONLY         |            |
|  |                 | DRAWN BY        | DATE       |
| 4 PLACES   | ± --- ± ---     | SBARBIERI       | 2000/04/13 |
| 3 PLACES   | ± --- ± ---     | CHECKED BY      | DATE       |
| 2 PLACES   | ± 0.05 ± ---    | MTESTAGUZZA     | 2000/04/13 |
| 1 PLACE  | ± 0.10 ± ---    | APPROVED BY     | DATE       |
|  | ANGULAR ± --- ° | RMARTUCCI       | 2000/04/13 |
| DRAFT WHERE APPLICABLE MUST REMAIN WITHIN DIMENSIONS |                 | MATERIAL NO.    |            |
|  |                 | SEE SHT 2/2     |            |
|  |                 | SIZE            |            |
|  |                 | A3              |            |

|   |              |                        |           |
|---|--------------|------------------------|-----------|
| SCALE   | DESIGN UNITS | FIRST ANGLE PROJECTION |           |
| 5:1   | METRIC       |                        |           |
| TITLE   |              |                        |           |
| FFC CONNECTOR VERTICAL MOUNTING VERSION   |              |                        |           |
| MOLEX INCORPORATED  |              | DOCUMENT NO.           | SHEET NO. |
|   |              | SD-90500-001           | 1 OF 2    |
| THIS DRAWING CONTAINS INFORMATION THAT IS PROPRIETARY TO MOLEX INCORPORATED AND SHOULD NOT BE USED WITHOUT WRITTEN PERMISSION |              |                        |           |

9 8 7 6 5 4 3 2 1

| N° . DI CODICE<br>PART. NO. | ATTREZZAGGIO<br>TOOLING      | N° . VIE<br>CCT NO. | DIM "A" | DIM "B" | DIM "C" | DIM "D" | N° . CONN./TUBO<br>CONN. NO./TUBE | N° . CONN./SCATOLA<br>CONN. NO./BOX (SPQ) |
|-----------------------------|------------------------------|---------------------|---------|---------|---------|---------|-----------------------------------|---|
| 90500-3002                  | NON ATTREZZATO<br>NOT TOOLED | 2                   |         |         |         |         |                                   |   |
| 90500-3003                  | "                            | 3                   |         |         |         |         |                                   |   |
| 90500-3004                  | ATTREZZATO<br>TOOLED         | 4                   | 22.52   | 7.62    | 12.92   | 12.82   | 24                                | 4320                                      |
| 90500-3005                  | "                            | 5                   | 25.06   | 10.16   | 15.46   | 15.36   | 21                                | 3780                                      |
| 90500-3006                  | "                            | 6                   | 27.60   | 12.70   | 18.00   | 17.90   | 19                                | 3420                                      |
| 90500-3007                  | "                            | 7                   | 30.14   | 15.24   | 20.54   | 20.44   | 17                                | 3060                                      |
| 90500-3008                  | "                            | 8                   | 32.68   | 17.78   | 23.08   | 22.98   | 16                                | 2880                                      |
| 90500-3009                  | "                            | 9                   | 35.22   | 20.32   | 25.62   | 25.52   | 15                                | 2700                                      |
| 90500-3010                  | "                            | 10                  | 37.76   | 22.86   | 28.16   | 28.06   | 14                                | 2520                                      |
| 90500-3011                  | "                            | 11                  | 40.30   | 25.40   | 30.70   | 30.60   | 13                                | 2340                                      |
| 90500-3012                  | "                            | 12                  | 42.84   | 27.94   | 33.24   | 33.14   | 12                                | 2160                                      |
| 90500-3013                  | "                            | 13                  | 45.38   | 30.48   | 35.78   | 35.68   | 11                                | 1980                                      |
| 90500-3014                  | "                            | 14                  | 47.92   | 33.02   | 38.32   | 38.22   | 11                                | 1980                                      |
| 90500-3015                  | "                            | 15                  | 50.46   | 35.56   | 40.86   | 40.76   | 10                                | 1800                                      |
| 90500-3016                  | "                            | 16                  | 53.00   | 38.10   | 43.40   | 43.30   | 10                                | 1800                                      |
| 90500-3017                  | "                            | 17                  | 55.54   | 40.64   | 45.94   | 45.84   | 9                                 | 1620                                      |
| 90500-3018                  | "                            | 18                  | 58.08   | 43.18   | 48.48   | 48.38   | 9                                 | 1620                                      |
| 90500-3019                  | "                            | 19                  | 60.62   | 45.72   | 51.02   | 50.92   | 8                                 | 1440                                      |
| 90500-3020                  | "                            | 20                  | 63.16   | 48.26   | 53.56   | 53.46   | 8                                 | 1440                                      |

|  |   |  |                  |       |              |                        |       |       |          |       |       |          |        |       |         |        |       |                |  |  |         |     |        |   |  |
|--|---|--|------------------|-------|--------------|------------------------|-------|-------|----------|-------|-------|----------|--------|-------|---------|--------|-------|----------------|--|--|---------|-----|--------|---|--|
| EC NO: Z2005-0177<br>DRWN:SBARBERI 2005/05/19<br>CHKD:RSANDANO 2005/05/20<br>APPR:FBISELLO 2005/05/20<br>REV DESCRIPTION | QUALITY SYMBOLS   | GENERAL TOLERANCES (UNLESS SPECIFIED)  | DIMENSION STYLE  | SCALE | DESIGN UNITS | FIRST ANGLE PROJECTION |       |       |          |       |       |          |        |       |         |        |       |                |  |  |         |     |        |   |  |
|  | $\nabla=0$<br>$\sphericalangle=0$   | <table border="1"> <tr> <td></td> <td>mm</td> <td>INCH</td> </tr> <tr> <td>4 PLACES</td> <td>± ---</td> <td>± ---</td> </tr> <tr> <td>3 PLACES</td> <td>± ---</td> <td>± ---</td> </tr> <tr> <td>2 PLACES</td> <td>± 0.05</td> <td>± ---</td> </tr> <tr> <td>1 PLACE</td> <td>± 0.10</td> <td>± ---</td> </tr> <tr> <td colspan="3">ANGULAR ± ---°</td> </tr> </table> |                  | mm    | INCH         | 4 PLACES               | ± --- | ± --- | 3 PLACES | ± --- | ± --- | 2 PLACES | ± 0.05 | ± --- | 1 PLACE | ± 0.10 | ± --- | ANGULAR ± ---° |  |  | MM ONLY | --- | METRIC | DRAWN BY DATE<br>SBARBERI 2000/04/15<br>CHECKED BY DATE<br>RSANDANO 2000/04/15<br>APPROVED BY DATE<br>FBISELLO 2000/04/15<br>MATERIAL NO. | TITLE<br>FFC CONNECTOR VERTICAL MOUNTING VERSION<br>MOLEX INCORPORATED<br>DOCUMENT NO. |
|  |   | mm   | INCH             |       |              |                        |       |       |          |       |       |          |        |       |         |        |       |                |  |  |         |     |        |   |  |
|  | 4 PLACES  | ± ---  | ± ---            |       |              |                        |       |       |          |       |       |          |        |       |         |        |       |                |  |  |         |     |        |   |  |
| 3 PLACES   | ± ---   | ± ---  |                  |       |              |                        |       |       |          |       |       |          |        |       |         |        |       |                |  |  |         |     |        |   |  |
| 2 PLACES   | ± 0.05  | ± ---  |                  |       |              |                        |       |       |          |       |       |          |        |       |         |        |       |                |  |  |         |     |        |   |  |
| 1 PLACE  | ± 0.10  | ± ---  |                  |       |              |                        |       |       |          |       |       |          |        |       |         |        |       |                |  |  |         |     |        |   |  |
| ANGULAR ± ---°   |   |  |                  |       |              |                        |       |       |          |       |       |          |        |       |         |        |       |                |  |  |         |     |        |   |  |
| DRAFT WHERE APPLICABLE MUST REMAIN WITHIN DIMENSIONS   | SEE TABLE   | SD-90500-001   | SHEET NO. 2 OF 2 |       |              |                        |       |       |          |       |       |          |        |       |         |        |       |                |  |  |         |     |        |   |  |
| B1   | THIS DRAWING CONTAINS INFORMATION THAT IS PROPRIETARY TO MOLEX INCORPORATED AND SHOULD NOT BE USED WITHOUT WRITTEN PERMISSION |  |                  |       |              |                        |       |       |          |       |       |          |        |       |         |        |       |                |  |  |         |     |        |   |  |