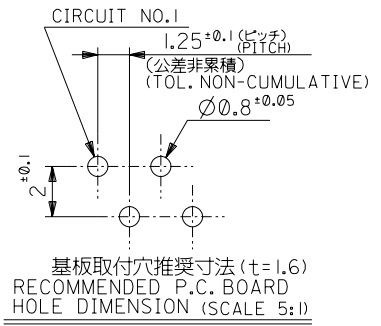
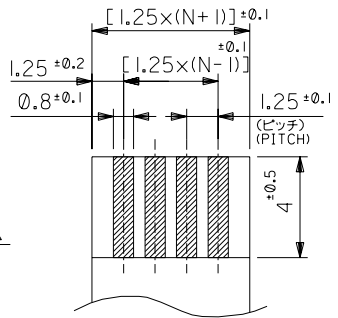
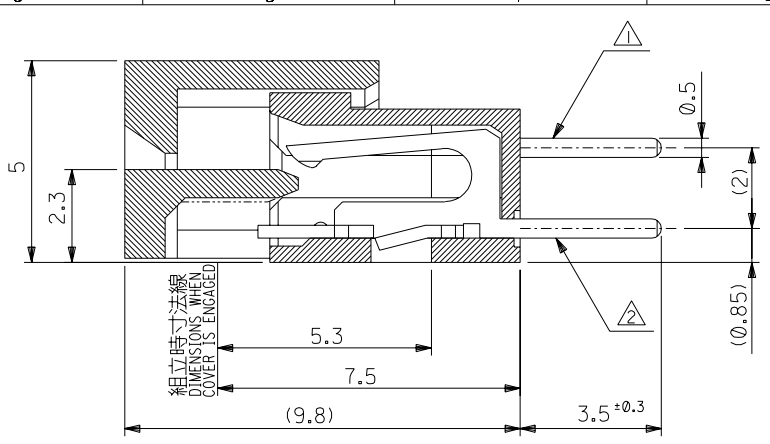
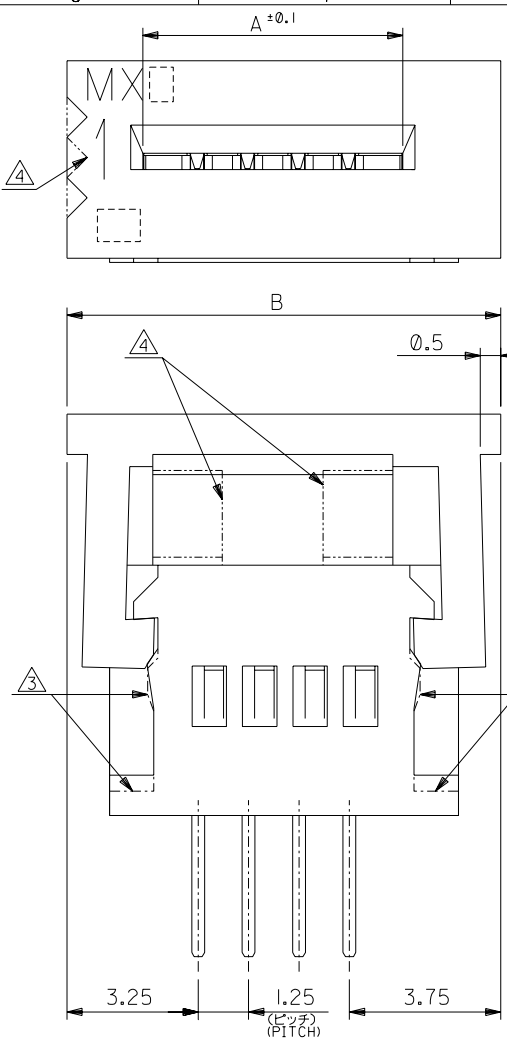


DO NOT SCALE DRAWING

DWG. NO. SD-5597-005



適合 FPC/FFC 推奨寸法
RECOMMENDED FPC/FFC
厚さ THK : 0.3 ±0.05 (SCALE 5:1)

注記 NOTES

- ① MX J側を基準に奇数番目の極におけるソルダータール。
SOLDER TAIL OF ODD CKTS, MXJ MARK AS BASIC.
 - ② MX J側を基準に偶数番目の極におけるソルダータール。
SOLDER TAIL OF EVEN CKTS, MXJ MARK AS BASIC.
 - ③ 3極~10極に適用。APPLY FOR 3-10 CKTS.
 - ④ 3極~19極に適用。APPLY FOR 3-19 CKTS.
5. () 内寸法は、参考値。
() DIMENSION IS FOR REFERENCE.

6. ソルダータールは、先端が取付推奨穴にガイドされること。
ガイドされること。
SOLDER TAILS MAY BE CHECKED BY INSERTION
FOR RECOMMENDED PCB BOARD HOLES.

| | | | | |
|-------|-------|------------|------------|----|
| 48.25 | 43.95 | 39-51-3344 | 5597-34CPB | 34 |
| 47 | 42.7 | -3334 | -33CPB | 33 |
| 45.75 | 41.45 | -3324 | -32CPB | 32 |
| 44.5 | 40.2 | -3314 | -31CPB | 31 |
| 43.25 | 38.95 | -3304 | -30CPB | 30 |
| 42 | 37.7 | -3294 | -29CPB | 29 |
| 40.75 | 36.45 | -3284 | -28CPB | 28 |
| 39.5 | 35.2 | -3274 | -27CPB | 27 |
| 38.25 | 33.95 | -3264 | -26CPB | 26 |
| 37 | 32.7 | -3254 | -25CPB | 25 |
| 35.75 | 31.45 | -3244 | -24CPB | 24 |
| 34.5 | 30.2 | -3234 | -23CPB | 23 |
| 33.25 | 28.95 | -3224 | -22CPB | 22 |
| 32 | 27.7 | -3214 | -21CPB | 21 |
| 30.75 | 26.45 | -3204 | -20CPB | 20 |
| 29.5 | 25.2 | -3194 | -19CPB | 19 |
| 28.25 | 23.95 | -3184 | -18CPB | 18 |
| 27 | 22.7 | -3174 | -17CPB | 17 |
| 25.75 | 21.45 | -3164 | -16CPB | 16 |
| 24.5 | 20.2 | -3154 | -15CPB | 15 |
| 23.25 | 18.95 | -3144 | -14CPB | 14 |
| 22 | 17.7 | -3134 | -13CPB | 13 |
| 20.75 | 16.45 | -3124 | -12CPB | 12 |
| 19.5 | 15.2 | -3114 | -11CPB | 11 |
| 18.25 | 13.95 | -3104 | -10CPB | 10 |
| 17 | 12.7 | -3094 | -09CPB | 9 |
| 15.75 | 11.45 | -3084 | -08CPB | 8 |
| 14.5 | 10.2 | -3074 | -07CPB | 7 |
| 13.25 | 8.95 | -3064 | -06CPB | 6 |
| 12 | 7.7 | -3054 | -05CPB | 5 |
| 10.75 | 6.45 | -3044 | -04CPB | 4 |
| 9.5 | 5.2 | 39-51-3034 | 5597-03CPB | 3 |
| B | A | ENG. NO. | ENG. NO. | 極数 |

| | | | |
|----------------------------------|----------------------------------|----------------------------------|----------------------------------|
| ②64NO. DRWN: CHK: APPR: | ②63NO. DRWN: CHK: APPR: | ②62NO. DRWN: CHK: APPR: | ②61NO. DRWN: CHK: APPR: |
|----------------------------------|----------------------------------|----------------------------------|----------------------------------|

再作図及び変更
REDRAWN & REVISED
②60NO. J2003-2624
DRWN: K. TOJO '03/04/17
CHK: H. Sato '03/04/17
APPR: H. Sato '03/04/17

DESCRIPTION
MATERIAL HOUSING, ACTUATOR :
材料 PBTP, UL94V-0
TERMINAL : PHOSPHOR-BRONZE
THK : 0.3±
FINISH TIN-LEAD(9:1)3~5MICRON
仕上げMETER OVER COPPER
1~2.5 MICRON METER PLATING.
WIRE RANGE
適用配線範囲
INS. RANGE
被覆外径

| | | |
|---------------------------------------------------|-------|----------------------------------------------------------------------|
| GENERAL TOLERANCES: (UNLESS SPECIFIED) 一般公差 | SCALE | DESIGN UNITS |
| 10 UNDER 未満 | 1:1 | <input checked="" type="checkbox"/> mm <input type="checkbox"/> INCH |
| 10 OVER 30 UNDER 以上 未満 | ±0.2 | |
| 30 OVER 以上 | ±0.25 | |
| | ±0.3 | |
| ANGLE 角度 | ±3° | |

DRAWN BY & DATE
K. TOJO '03/04/15
CHECKED BY & DATE
H. Sato '03/04/17
APPROVED BY & DATE
H. Sato '03/04/17
CAD FILENAME
SD-5597-005.S01

TITLE:
1.25 FPC Conn Assy ZIF
MOLEX MOLEX INCORPORATED
MATERIAL NO. 39-51-3**3
DRAWING NO. SD-5597-005
SHEET NO. 1 OF 1
DIMENSIONS:
mm INCH mm ONLY
SHT REV
REVISE ON CAD ONLY

THIS DRAWING CONTAINS INFORMATION THAT IS PROPRIETARY TO MOLEX INCORPORATED AND SHOULD NOT BE USED WITHOUT WRITTEN PERMISSION. SIZE B

SD-5597-005.S01