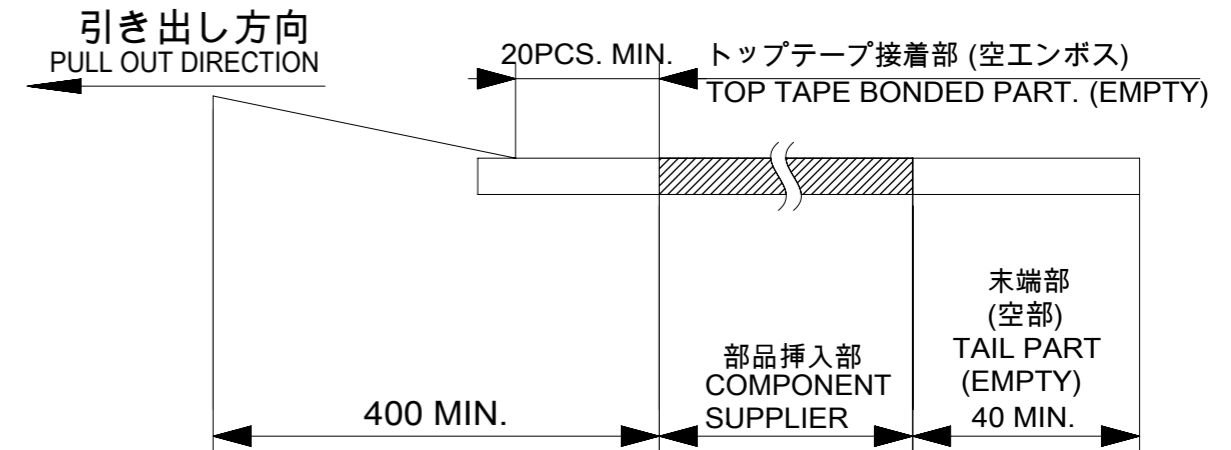


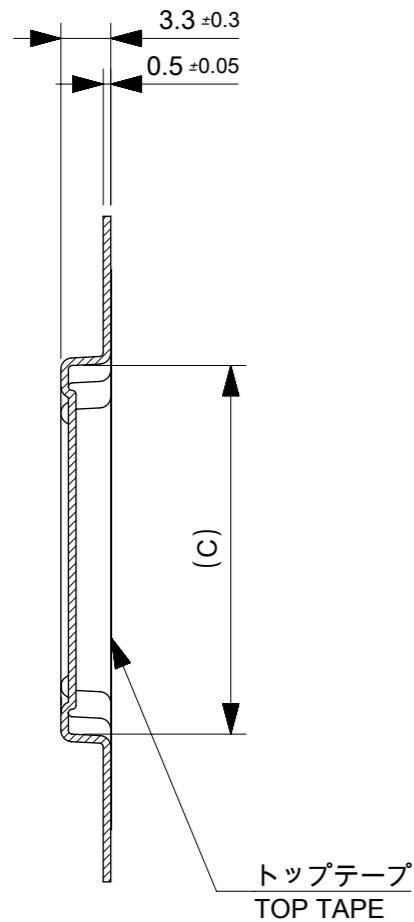
**NOTES**

- 梱包数量 : 1500個 / リール  
NUMBER OF CONNECTORS : 1500 PCS/REEL.
- リードテープ長さ LEAD TAPE LENGTH.

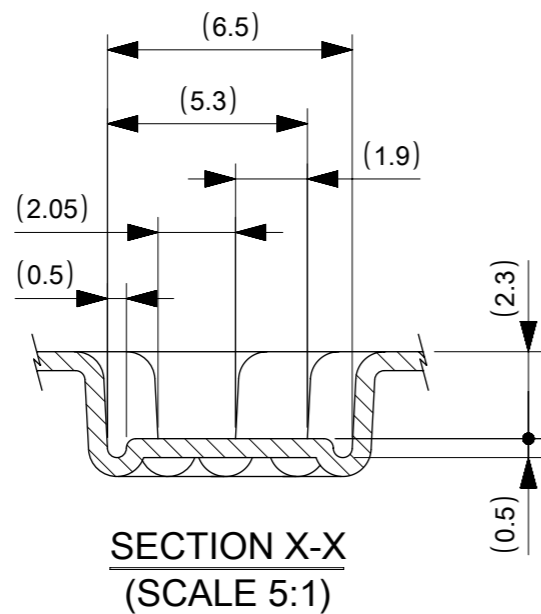
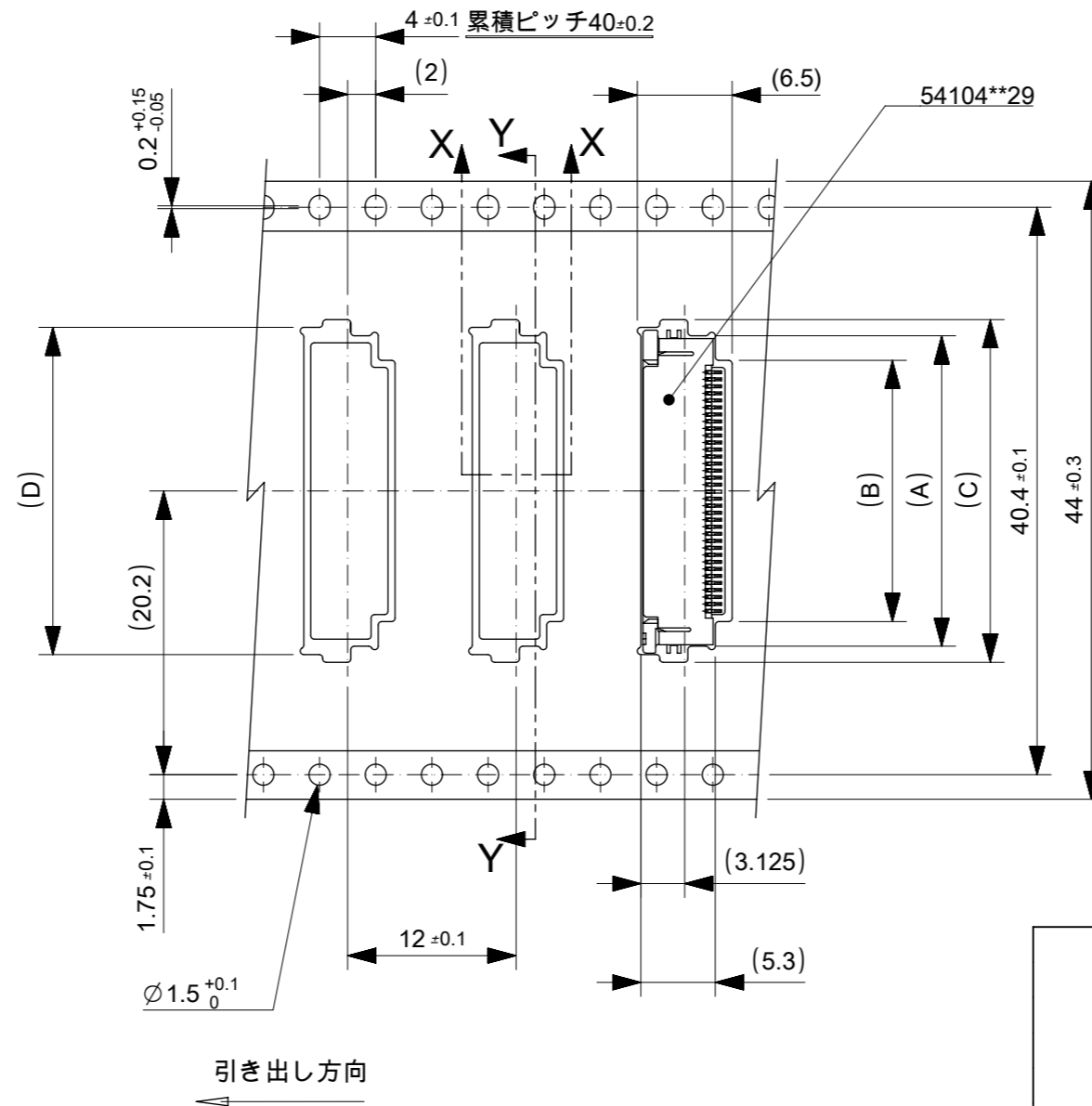


- 材料 ( MATERIAL )  
キャリアテープ ( CARRIER TAPE ) : ポリプロピレン ( POLYPROPYLENE )  
トップテープ ( TOP TAPE ) : PET, PE, PEF  
リール ( REEL ) : ポリスチレン ( POLYSTYLENE )
- 本製品は54104\*\*96 のターミナル部分金メッキ品である。

THIS DRAWING CONTAINS INFORMATION THAT IS PROPRIETARY TO MOLEX ELECTRONIC TECHNOLOGIES, LLC AND SHOULD NOT BE USED WITHOUT WRITTEN PERMISSION											
EC NO: 103444 DRWN: NVELUSAMY CHK'D: YKOBAYASHI02 APPR: TKUSUHARA01	2016/02/16 2016/05/23 2016/05/24		GENERAL TOLERANCES (UNLESS SPECIFIED)		DIMENSION UNITS	SCALE	<b>molex</b> <sup>®</sup>				
			ANGULAR TOL ± °		MM	1:1					
	4 PLACES ±		3 PLACES ±		DRWN BY	DATE	EMBOSSED TAPE PACKAGE FOR 54104**29 -LEAD FREE-				
	3 PLACES ±		2 PLACES ±		NVELUSAMY	2016/02/16					
	2 PLACES ±		1 PLACE ±		CHK'D BY	DATE	PRODUCT CUSTOMER DRAWING				
1 PLACE ±		0 PLACES ±		YKOBAYASHI02	2016/05/23						
DRAFT WHERE APPLICABLE MUST REMAIN WITHIN DIMENSIONS		DRAWING SIZE		THIRD ANGLE PROJECTION		SERIES			MATERIAL NUMBER	CUSTOMER	
A		A3				54104			SEE CHART	GENERAL	
						DOCUMENT NUMBER			DOC TYPE	DOC PART	SHEET NUMBER
						541040000			PSD	000	1 OF 2



SECTION Y-Y



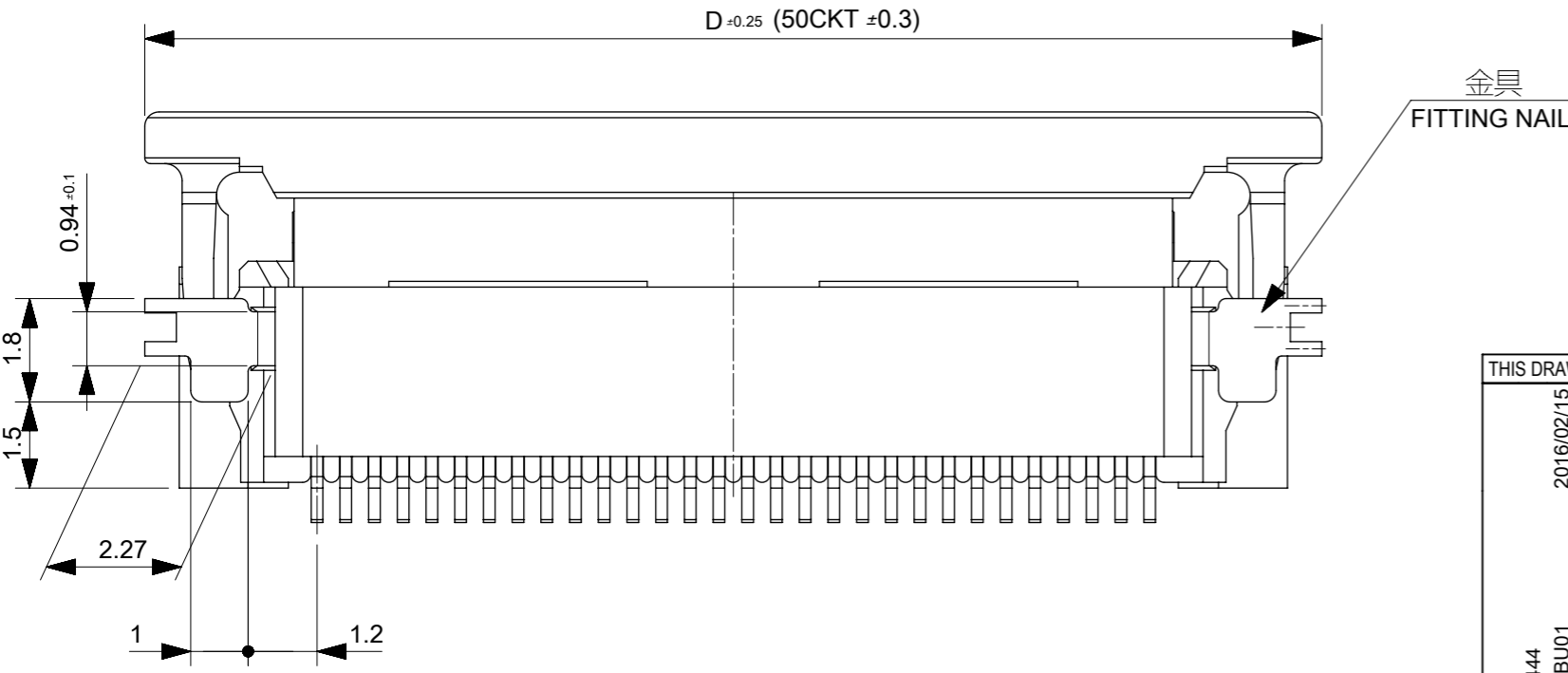
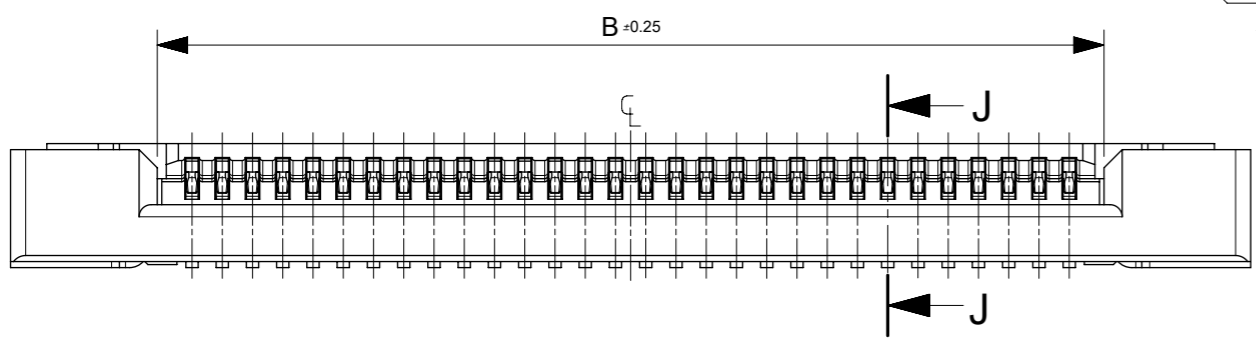
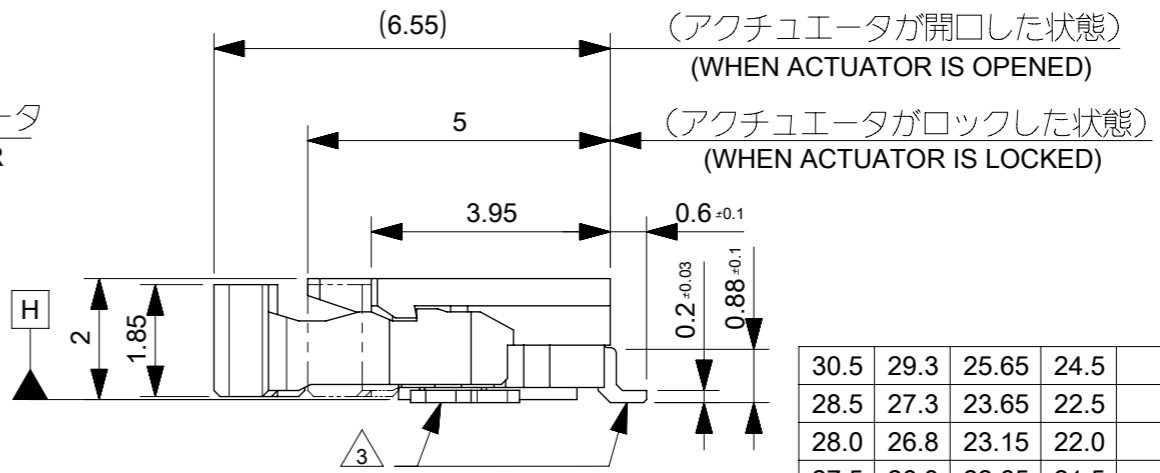
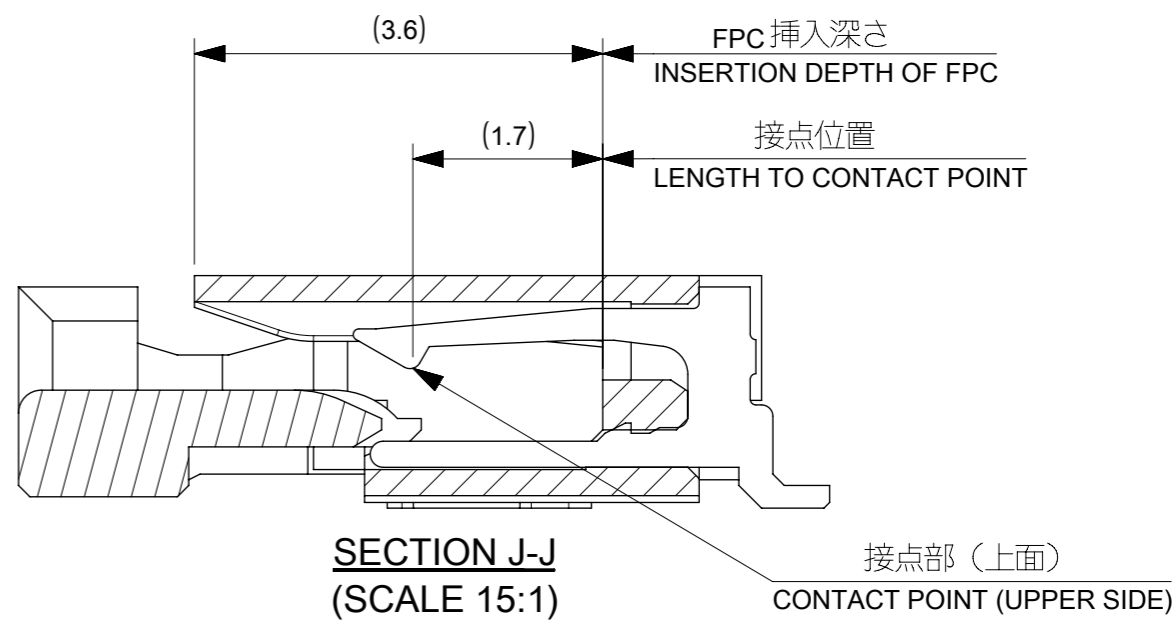
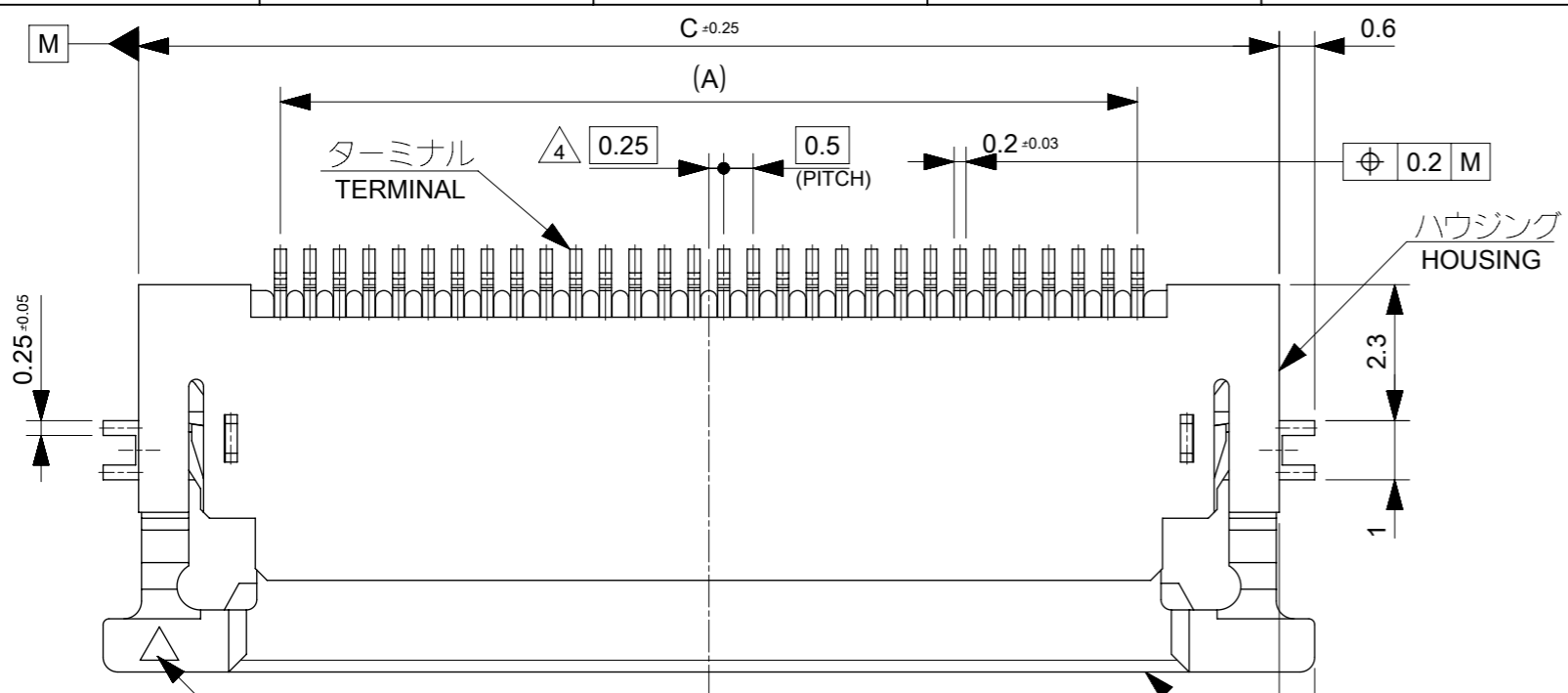
SECTION X-X  
(SCALE 5:1)

44	49.4	45.4	30.8	31.9	26.1	29.6	541045031	50		
			28.8	29.9	24.1	27.6	541044631	46		
			28.3	29.4	23.6	27.1	541044531	45		
			27.8	28.9	23.1	26.6	541044431	44		
			27.3	28.4	22.6	26.1	541044331	43		
			25.8	26.9	21.1	24.6	541044031	40		
			24.8	25.9	20.1	23.6	541043831	38		
			23.8	24.9	19.1	22.6	541043631	36		
			23.3	24.4	18.6	22.1	541043531	35		
			22.8	23.9	18.1	21.6	541043431	34		
			22.3	23.4	17.6	21.1	541043331	33		
			21.8	22.9	17.1	20.6	541043231	32		
			20.8	21.9	16.1	19.6	541043031	30		
キャリアテープ幅 CARRIER TAPE WIDTH			F	E	D	C	B	A	MATERIAL NO.	CKT.

THIS DRAWING CONTAINS INFORMATION THAT IS PROPRIETARY TO MOLEX ELECTRONIC TECHNOLOGIES, LLC AND SHOULD NOT BE USED WITHOUT WRITTEN PERMISSION

EC NO: 103444 DRWN: NVELUSAMY CHK'D: YKOBAYASHI02 APPR: TKUSUHARA01	2016/02/16	GENERAL TOLERANCES (UNLESS SPECIFIED)	DIMENSION UNITS	SCALE
	2016/05/23	ANGULAR TOL ± °	MM	2:1
	2016/05/24	4 PLACES ±	DRWN BY	DATE
		3 PLACES ±	NVELUSAMY	2016/02/16
		2 PLACES ±	CHK'D BY	DATE
		1 PLACE ±	YKOBAYASHI02	2016/05/23
	0 PLACES ±	APPR BY	DATE	
		TKUSUHARA01	2016/05/24	
		DRAFT WHERE APPLICABLE MUST REMAIN WITHIN DIMENSIONS	DRAWING SIZE	THIRD ANGLE PROJECTION
			A3	

<b>molex</b> <sup>®</sup>			
EMBOSSSED TAPE PACKAGE FOR 54104**29 -LEAD FREE-			
PRODUCT CUSTOMER DRAWING			
SERIES	MATERIAL NUMBER	CUSTOMER	
54104	SEE CHART	GENERAL	
DOCUMENT NUMBER		DOC TYPE	DOC PART
541040000		PSD	000
		DOC PART	SHEET NUMBER
		000	2 OF 2



30.5	29.3	25.65	24.5	541045031	50
28.5	27.3	23.65	22.5	541044631	46
28.0	26.8	23.15	22.0	541044531	45
27.5	26.3	22.65	21.5	541044431	44
27.0	25.8	22.15	21.0	541044331	43
25.5	24.3	20.65	19.5	541044031	40
24.5	23.3	19.65	18.5	541043831	38
23.5	22.3	18.65	17.5	541043631	36
23.0	21.8	18.15	17.0	541043531	35
22.5	21.3	17.65	16.5	541043431	34
22.0	20.8	17.15	16.0	541043331	33
21.5	20.3	16.65	15.5	541043231	32
20.5	19.3	15.65	14.5	541043031	30
D	C	B	A	EMBOSSED PACKAGE ORDER NO. オーダー番号	CKT.

CONNECTOR SERIES NO. : 54104\*\*29

THIS DRAWING CONTAINS INFORMATION THAT IS PROPRIETARY TO MOLEX ELECTRONIC TECHNOLOGIES, LLC AND SHOULD NOT BE USED WITHOUT WRITTEN PERMISSION

2016/02/15	2016/05/23	2016/05/24	GENERAL TOLERANCES (UNLESS SPECIFIED)	DIMENSION UNITS	SCALE
2016/02/15	2016/05/23	2016/05/24	ANGULAR TOL ± 3.0 °	MM	8:1
4 PLACES	±			DRWN BY	DATE
3 PLACES	±			ABABU01	2016/02/15
2 PLACES	± 0.2			CHK'D BY	DATE
1 PLACE	± 0.2			YKOBAYASHI02	2016/05/23
0 PLACES	± 0.2			APPR BY	DATE
				TKUSUHARA01	2016/05/24
				DRAWING SIZE	THIRD ANGLE PROJECTION
				A3	
			DRAFT WHERE APPLICABLE MUST REMAIN WITHIN DIMENSIONS		

EC NO: 103444  
 DRWN: ABABU01  
 CHK'D: YKOBAYASHI02  
 APPR: TKUSUHARA01

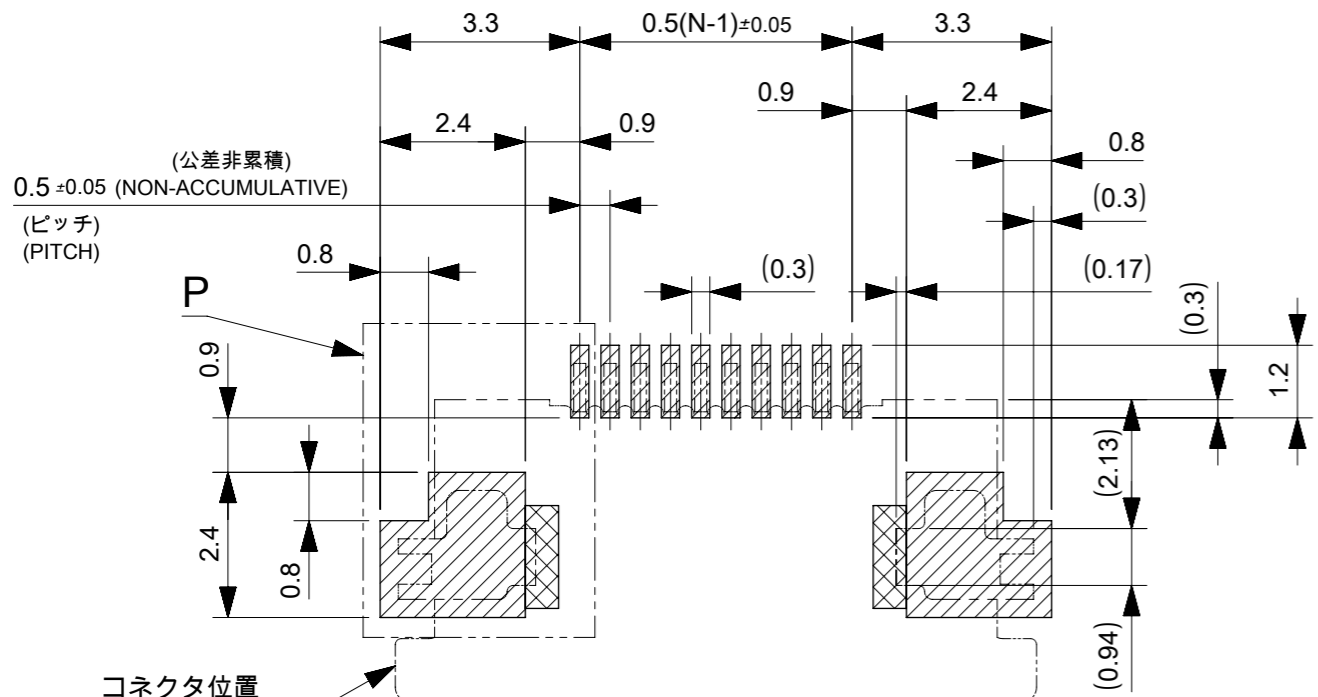
FORMAT: master-ib-prod-A3  
 REVISION: 5  
 DATE: 2015/12/14

**molex®**

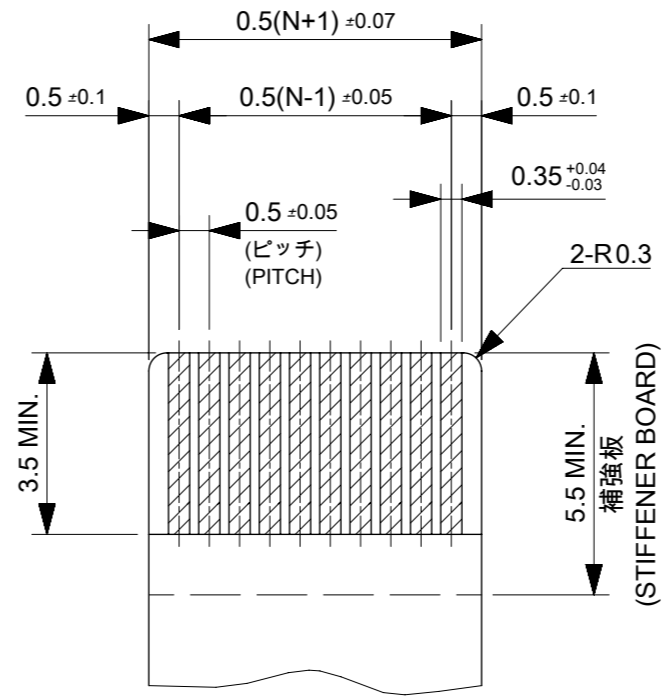
0.5 FPC CONN. ZIF SMT  
 R/A UPPER CONTACT SEPARATED GOLD PLATING

PRODUCT CUSTOMER DRAWING

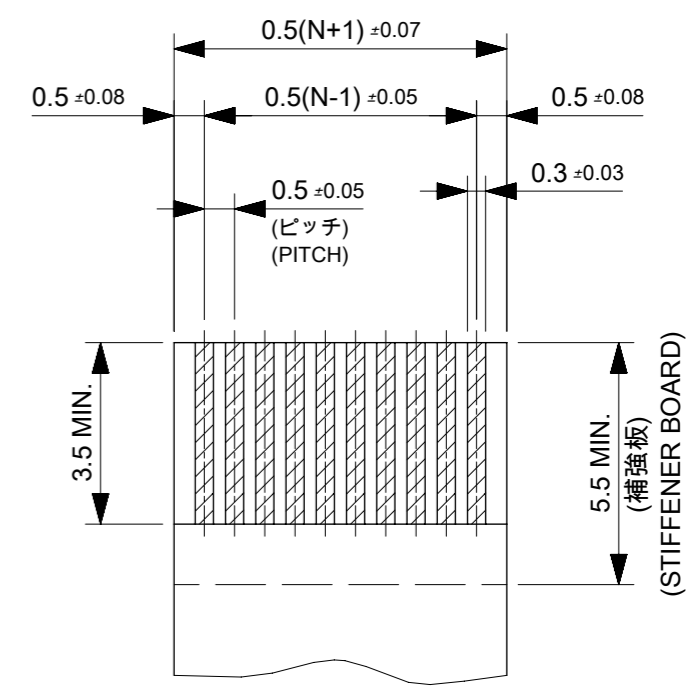
SERIES	MATERIAL NUMBER	CUSTOMER	
54104	SEE CHART	GENERAL	
DOCUMENT NUMBER	DOC TYPE	DOC PART	SHEET NUMBER
541041000	PSD	000	1 OF 2



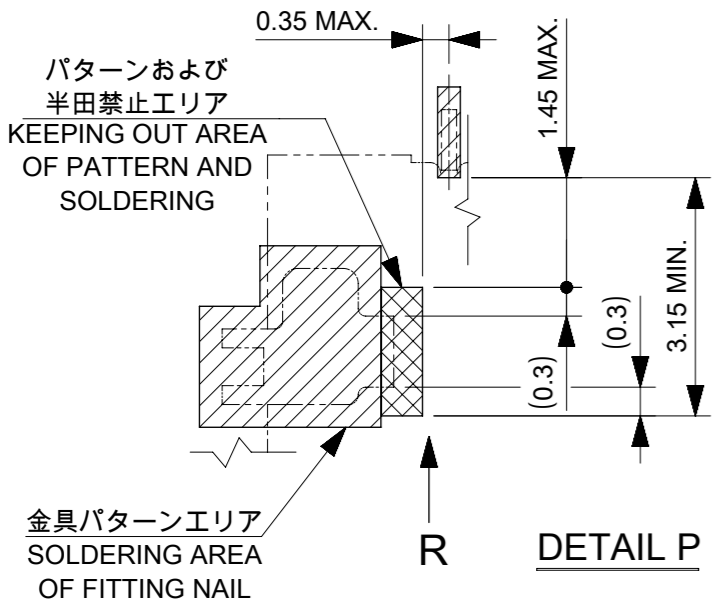
参考基板レイアウト  
RECOMMENDED P.W.BOARD PATTERN DIMENSION(REF.)  
(マウント面)  
(MOUNTING SIDE)



適合金めっき FPC 推奨寸法  
APPLICABLE FPC OF GOLD PLATING  
RECOMMENDED DIMENSION  
(仕上がり厚さ : 0.3±0.03)  
(THICKNESS : 0.3±0.03)



適合金めっき FFC 推奨寸法  
APPLICABLE FFC OF GOLD PLATING  
RECOMMENDED DIMENSION  
(仕上がり厚さ : 0.3±0.03)  
(THICKNESS : 0.3±0.03)



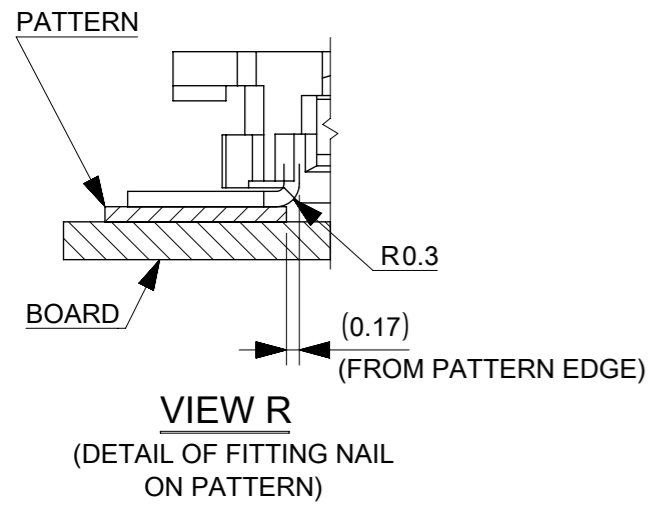
注記 NOTES

- 使用材料 MATERIAL  
ハウジング : 46ナイロン、ガラス充填、UL94V-0、白  
HOUSING : PA46, GLASS FILLED, UL94V-0, WHITE  
アクチュエータ : ポリフェニレンサルファイド (PPS)、ガラス充填、UL94V-0、茶色  
ACTUATOR : POLYPHENYLENE SULFIDE, GLASS FILLED, UL94V-0, BROWN  
ターミナル : リン青銅(t=0.2) 金メッキ 接触部 0.1 MICROMETER MINIMUM  
テール部 0.05 MICROMETER MINIMUM  
ニッケル下地 1.0 MICROMETER MINIMUM  
TERMINAL PHOS-BRONZE GOLD-PLATING  
CONTACT PORTION : 0.1 MICROMETER MINIMUM  
TAIL PORTION : 0.05 MICROMETER MINIMUM  
NICKEL PLATING : 1.0 MICROMETER MINIMUM  
金具 : リン青銅(t=0.2) 錫メッキ 1.0~3.0 MICROMETER MINIMUM  
ニッケル下地 1.0~3.0 MICROMETER MINIMUM  
FITTING NAIL : PHOS-BRONZE TIN-PLATING 1.0~3.0 MICROMETER MINIMUM  
OVER NICKEL 1.0~3.0 MICROMETER MINIMUM
- エンボステーブ梱包時はアクチュエータがロックした状態とする。  
IN THE PACKAGE, ACTUATOR OF PART NO.54104\*\*29 SHOULD BE LOCKED.  
ソルダーテール半田付け面のズレ量、および金具半田付け面のズレ量は  
基準面 H に対し上方向 0.1MAXIMUM、下方向 0.15MAXIMUMとする。  
MISALIGNMENT OF SOLDER TAILS AND FITTING NAILS FROM H  
UPPER DIRECTION : 0.1MAXIMUM, LOWER DIRECTION : 0.15 MAXIMUM.

- 偶数極に適用。  
APPLY FOR EVEN CIRCUIT.
- パターンはく離止め金具。  
FITTING NAIL FOR PREVENTION OF PEELING OF P.W.BOARD PATTERN.
- ELV & RoHS適合品  
ELV AND RoHS COMPLIANT

FPC/FFCについて:  
打ち抜き方向は導体側から補強板側を推奨いたします。  
導体部は軟銅箔 35MICROMETER または 50MICROMETERを推奨いたします。  
RECOMMENDED PUNCHER DIRECTION  
FROM CONDUCTOR SIDE TO STIFFENER BOARD SIDE.  
RECOMMENDED CONDUCTOR SPEC  
THICKNESS OF SOFT COPPER FOIL  
: 35MICROMETERS OR 50MICROMETERS

FPCについて:  
補強フィルム材質はポリイミドを推奨いたします。  
接着剤は熱硬化接着剤を推奨いたします。  
RECOMMENDED MATERIAL  
STIFFENER FILM : POLYIMIDE  
BONDING AGENT : THERMOSETTING BONDING AGENT



VIEW R  
(DETAIL OF FITTING NAIL ON PATTERN)

THIS DRAWING CONTAINS INFORMATION THAT IS PROPRIETARY TO MOLEX ELECTRONIC TECHNOLOGIES, LLC AND SHOULD NOT BE USED WITHOUT WRITTEN PERMISSION

EC NO: 103444 DRWN: ABABU01 CHK'D: YKOBAYASHI02 APPR: TKUSUHARA01	2016/02/15	GENERAL TOLERANCES (UNLESS SPECIFIED)		DIMENSION UNITS	SCALE	
	2016/05/23	ANGULAR TOL ± 3.0 °		MM	1:1	
	2016/05/24	4 PLACES ±	ABABU01	DATE	2016/02/15	
		3 PLACES ±	CHK'D BY	DATE	YKOBAYASHI02 2016/05/23	
		2 PLACES ± 0.2	APPR BY	DATE	TKUSUHARA01 2016/05/24	PRODUCT CUSTOMER DRAWING SERIES: 54104 MATERIAL NUMBER: SEE CHART CUSTOMER: GENERAL
		1 PLACE ± 0.2	DRAWING SIZE	THIRD ANGLE PROJECTION		
		0 PLACES ± 0.2	A3			
		DRAFT WHERE APPLICABLE MUST REMAIN WITHIN DIMENSIONS				DOCUMENT NUMBER: 541041000 DOC TYPE: PSD DOC PART: 000 SHEET NUMBER: 2 OF 2