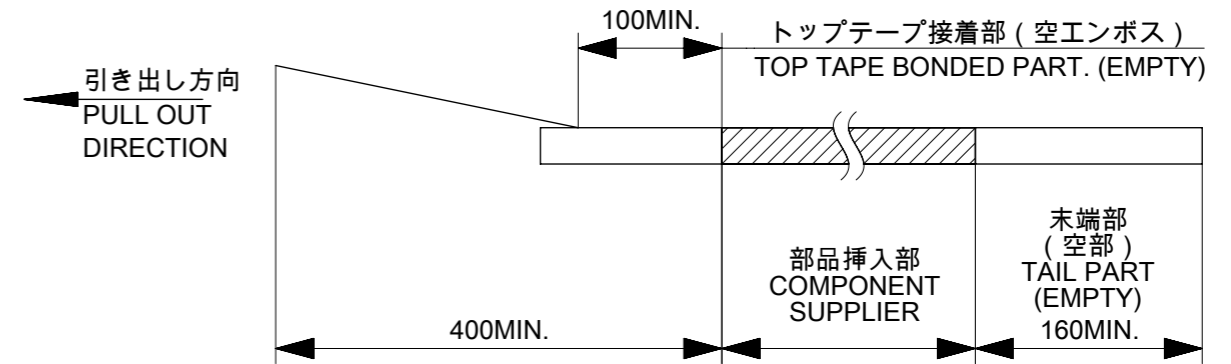


DETAIL C

注記 NOTES

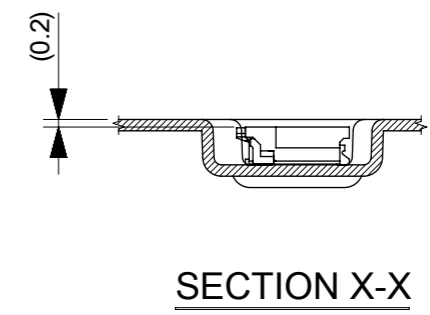
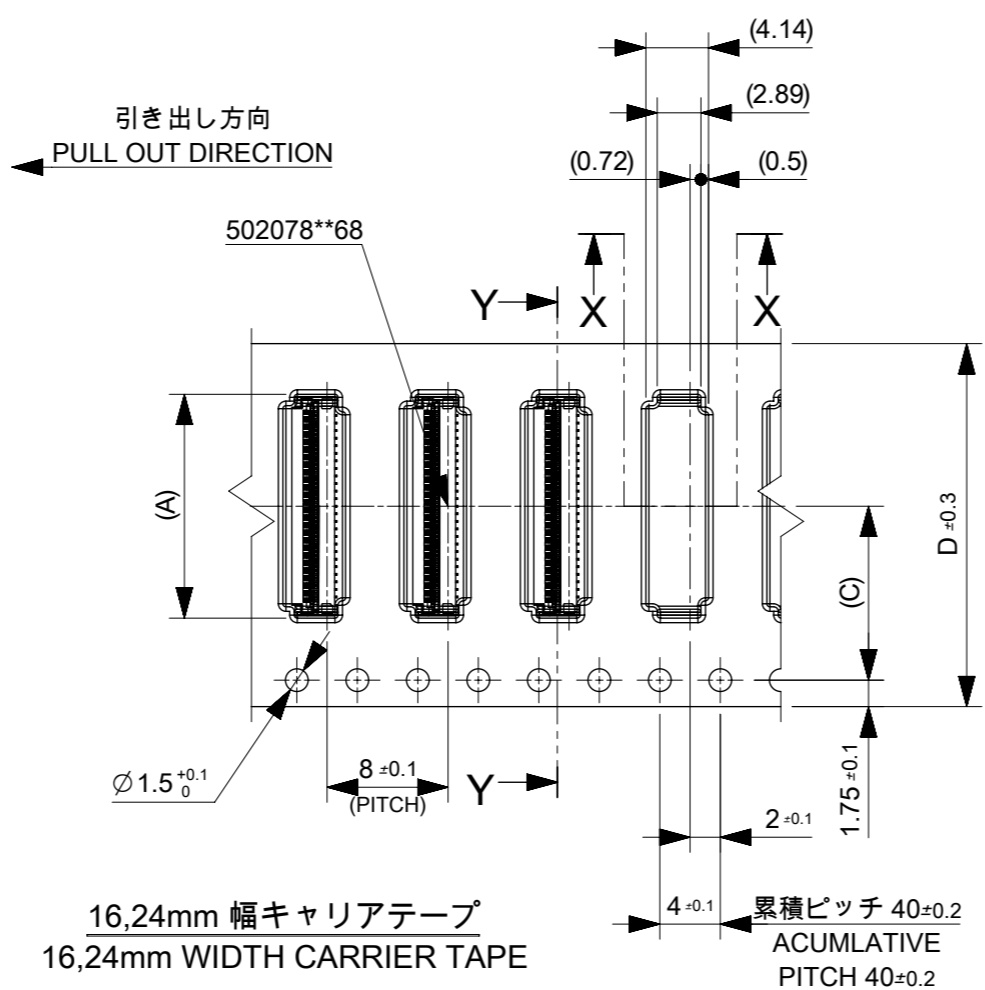
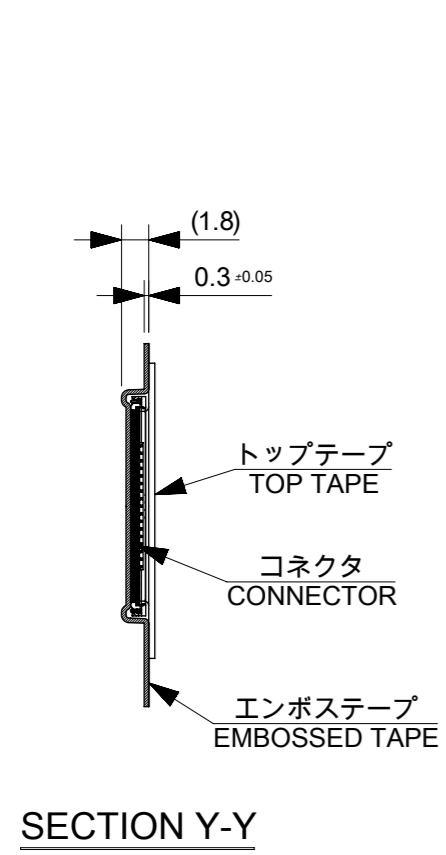
- 製品詳細寸法については図面 5020781000 (DOC. PART NO. : 000) を参照下さい。
RE DETAILED DIMENSION, SEE 5020781000 (DOC. PART NO. : 000)
- 梱包数量 : 3000 個 / リール
NUMBER OF CONNECTORS : 3000 PCS/REEL
- リードテープ長さ LEAD TAPE LENGTH



- 材料 MATERIAL
キャリアテープ (CARRIER TAPE) : ポリスチレン (POLYSTYRENE)
トップテープ (TOP TAPE) : PET, PE, PEF
リール (REEL) : ポリスチレン (PS) <リサイクル材を含む>
POLYSTYRENE (PS) <RECYCLE MATERIAL CONTAINED>
- カバーテープの剥離強度については、IEC60286-3 に準拠
COVER TAPE PEEL FORCE IS DEFINED BY IEC 60286-3.

CONNECTOR SERIES NO. 502078**68

THIS DRAWING CONTAINS INFORMATION THAT IS PROPRIETARY TO MOLEX ELECTRONIC TECHNOLOGIES, LLC AND SHOULD NOT BE USED WITHOUT WRITTEN PERMISSION										
EC NO: 103444 DRWN: ABABU01 CHK'D: YKOBAYASHI02 APPR: TKUSUHARA01	2016/02/22		GENERAL TOLERANCES (UNLESS SPECIFIED)		DIMENSION UNITS	SCALE	molex [®]			
	2016/05/23		ANGULAR TOL ± °		MM	1:1				
	2016/05/24		4 PLACES ±	DRWN BY	DATE	0.25MM PITCH FPC CONN HGT = 1.0 HSG ASSY EMBOSSED TAPE PACKAGE				
			3 PLACES ±	ABABU01	2016/02/22					
			2 PLACES ±	CHK'D BY	DATE	PRODUCT CUSTOMER DRAWING				
		1 PLACE ±	YKOBAYASHI02	2016/05/23						
		0 PLACES ±	APPR BY	DATE	SERIES MATERIAL NUMBER CUSTOMER					
			TKUSUHARA01	2016/05/24				502078	SEE CHART	GENERAL
		DRAFT WHERE APPLICABLE MUST REMAIN WITHIN DIMENSIONS		DRAWING SIZE	THIRD ANGLE PROJECTION	DOCUMENT NUMBER		DOC TYPE	DOC PART	SHEET NUMBER
A				A3		5020780000		PSD	000	1 OF 3



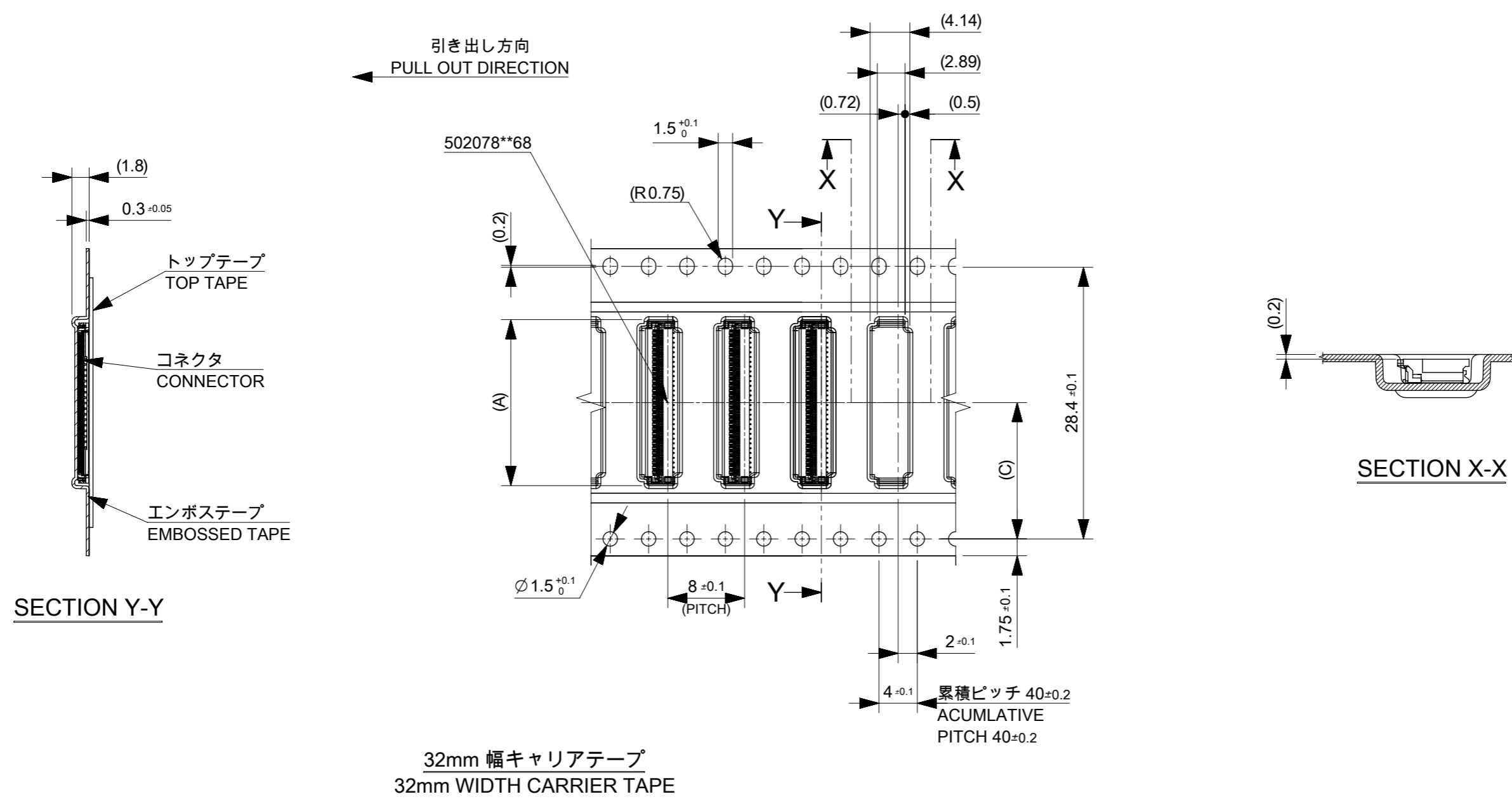
16,24mm 幅キャリアテープ
16,24mm WIDTH CARRIER TAPE

累積ピッチ 40±0.2
ACUMLATIVE PITCH 40±0.2

24	11.5	25.4	15.3	5020785360	53
			14.8	5020785160	51
			11.8	5020783960	39
			11.3	5020783760	37
			10.3	5020783360	33
			8.3	5020782560	25
16	7.5	17.4	6.3	5020781760	17
			5.3	5020781360	13
D キャリアテープ幅 CARRIER TAPE WIDTH	C	B	(A)	オーダー番号 ORDER NO.	極数 CIRCUITS
				CONNECTOR SERIES NO.	502078**68

THIS DRAWING CONTAINS INFORMATION THAT IS PROPRIETARY TO MOLEX ELECTRONIC TECHNOLOGIES, LLC AND SHOULD NOT BE USED WITHOUT WRITTEN PERMISSION

EC NO: 103444 DRWN: ABABU01 CHK'D: YKOBAYASHI02 APPR: TKUSUHARA01	2016/02/22	GENERAL TOLERANCES (UNLESS SPECIFIED)		DIMENSION UNITS	SCALE		
	2016/05/23	ANGULAR TOL ± °		MM	1:1		
	2016/05/24	4 PLACES ±	DRWN BY	ABABU01			DATE
		3 PLACES ±	CHK'D BY	YKOBAYASHI02			2016/02/22
		2 PLACES ±	APPR BY	TKUSUHARA01			2016/05/24
	1 PLACE ±	DRAFT WHERE APPLICABLE MUST REMAIN WITHIN DIMENSIONS		DRAWING SIZE	THIRD ANGLE PROJECTION	0.25MM PITCH FPC CONN HGT = 1.0 HSG ASSY EMBOSSED TAPE PACKAGE	
	0 PLACES ±			A3			
RELEASE STATUS	P1	RELEASE DATE	24.05.2016	07:26:32			
DOCUMENT NUMBER	5020780000		DOC TYPE	PSD	DOC PART	000	
SHEET NUMBER			2 OF 3				

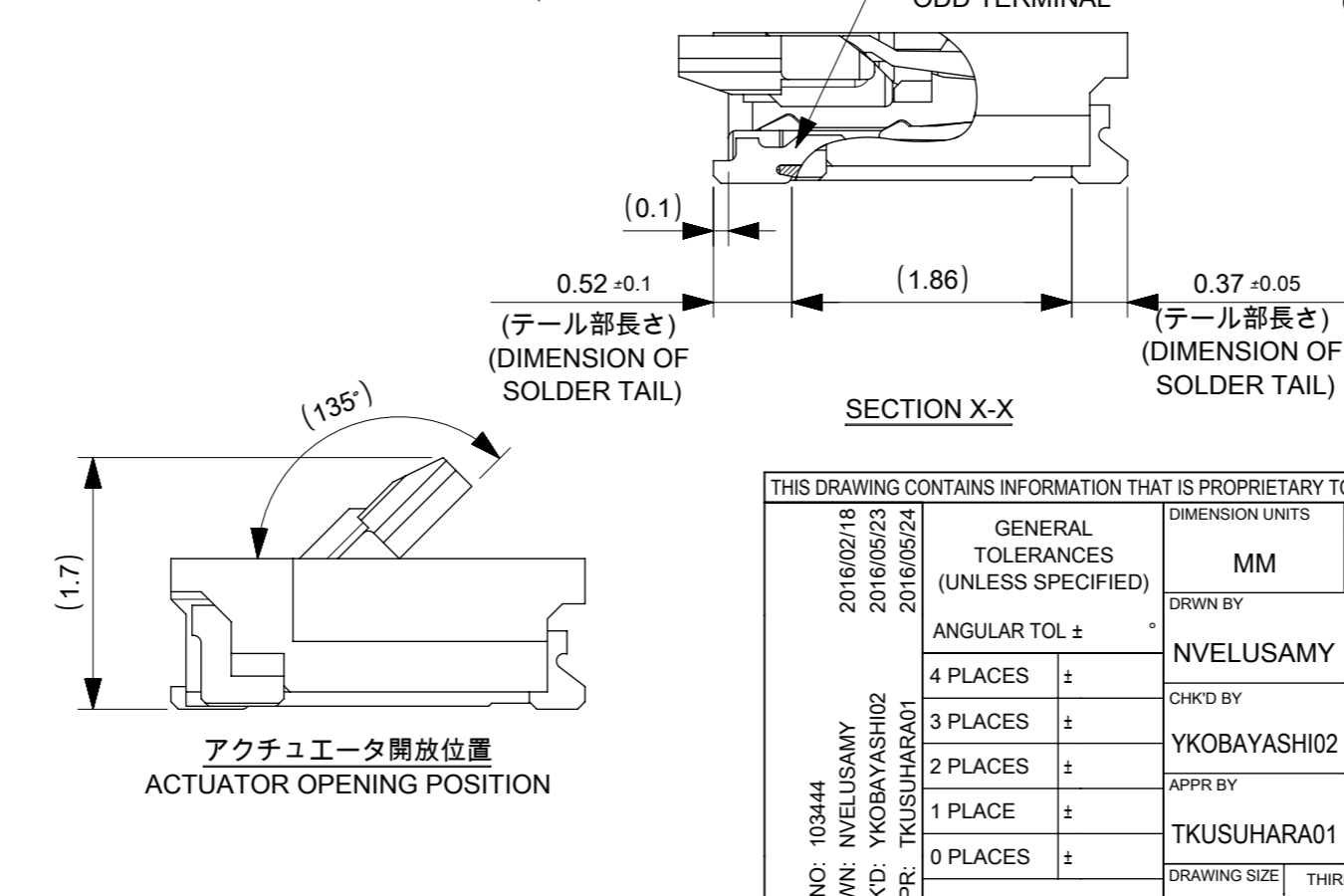
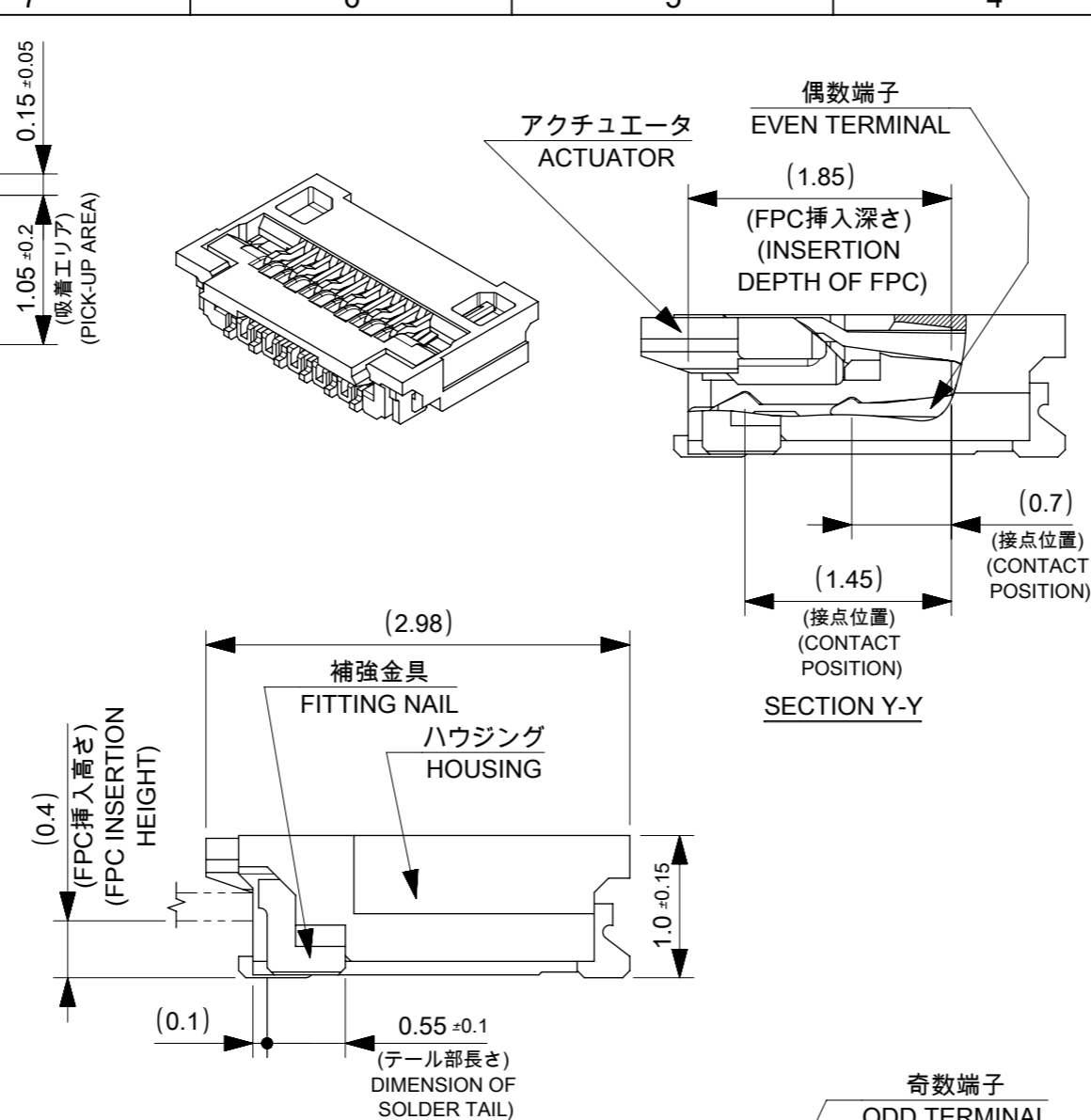
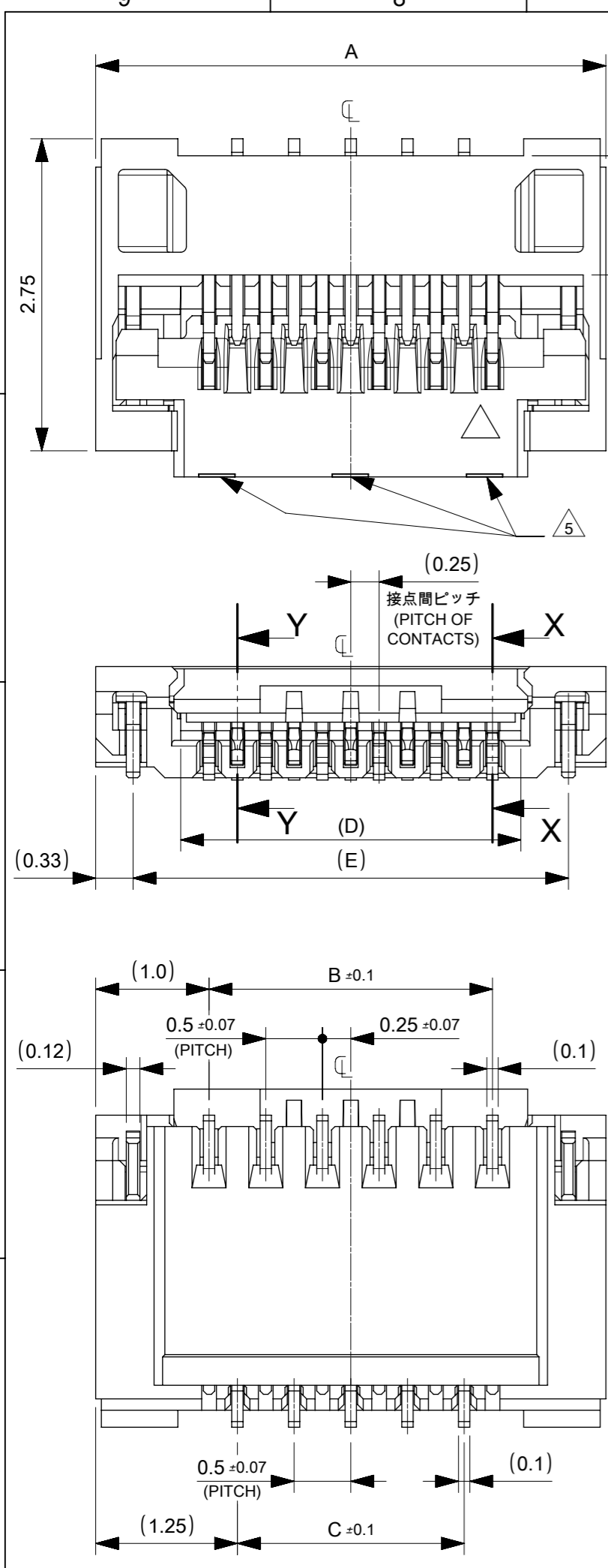


14.2	33.4	17.3	5020786160	61
C	B	(A)	オーダー番号 ORDER NO.	極数 CIRCUITS
			CONNECTOR SERIES NO.	502078**68

THIS DRAWING CONTAINS INFORMATION THAT IS PROPRIETARY TO MOLEX ELECTRONIC TECHNOLOGIES, LLC AND SHOULD NOT BE USED WITHOUT WRITTEN PERMISSION

EC NO: 103444 DRWN: ABABU01 CHK'D: YKOBAYASHI02 APPR: TKUSUHARA01	2016/02/22	GENERAL TOLERANCES (UNLESS SPECIFIED)	DIMENSION UNITS	SCALE	
	2016/05/23	ANGULAR TOL ± °	MM	1:1	
	2016/05/24	4 PLACES ±	DRWN BY	DATE	
		3 PLACES ±	ABABU01	2016/02/22	
		2 PLACES ±	CHK'D BY	DATE	
	1 PLACE ±	YKOBAYASHI02	2016/05/23		
	0 PLACES ±	APPR BY	DATE		
		TKUSUHARA01	2016/05/24		
		DRAFT WHERE APPLICABLE MUST REMAIN WITHIN DIMENSIONS	DRAWING SIZE	THIRD ANGLE PROJECTION	
			A3		

PRODUCT CUSTOMER DRAWING	
SERIES	MATERIAL NUMBER
502078	
CUSTOMER	GENERAL
DOCUMENT NUMBER	DOC TYPE
5020780000	PSD
DOC PART	SHEET NUMBER
000	3 OF 3



注記 NOTES

1. 使用材料 MATERIALS
 ハウジング : 液晶ポリマー(UL94V-0、ベージュ)
 アクチュエータ : ポリアミド(UL94HB、黒色)
 端子 : リン青銅
 補強金具 : リン青銅
 HOUSING : LCP (BEIGE)
 ACTUATOR : PA (BLACK)
 TERMINAL : PHOSPHOR BRONZE
 FITTING NAIL : PHOSPHOR BRONZE
2. メッキ仕様 PLATING
 端子 TERMINAL
 接点部 : 金メッキ0.1 μm以上
 テール部 : 金メッキ
 下地 : ニッケルメッキ1.0 μm以上
 CONTACT AREA : Gold PLATING 0.1μm MINIMUM
 TAIL AREA : Gold PLATING
 UNDER PLATING : Nickel PLATING 1.0μm MINIMUM
 金具 FITTING NAIL
 表面 : スズメッキ 1.0 μm以上
 下地 : ニッケルメッキ1.0 μm以上
 ALL OVER : Tin PLATING 1.0μm MINIMUM
 UNDER PLATING : Nickel PLATING 1.0μm MINIMUM
3. 端子、補強金具のコプラナリティーは0.1以下とする
 COPLANALITY OF SOLDER TAILS AND FITTING NAILS : 0.1MAX.
4. 一般公差 : ± 0.3
 GENERAL TOLERANCES: ±0.3
5. アクチュエータの図示箇所にゲート逃げの凹みがつきます
 (極数により、レイアウトが異なります)
 THERE ARE DENT SHAPES AT ACTUATOR FOR MOLDING GATE
 (LAYOUT DIFFER ACCORDING TO CIRCUIT NUMBER)
6. ELV & RoHS 適合品
 ELV & RoHS COMPLIANT
7. 塩素系・臭素系難燃剤非使用
 CHLORINATED AND BROMINATED FLAME RETARDANTS FREE

16.34	15.5	14.5	15	17	5020786160	5020786168	61
14.34	13.5	12.5	13	15	5020785360	5020785368	53
13.84	13	12	12.5	14.5	5020785160	5020785168	51
10.84	10	9	9.5	11.5	5020783960	5020783968	39
10.34	9.5	8.5	9	11	5020783760	5020783768	37
9.34	8.5	7.5	8	10	5020783360	5020783368	33
7.34	6.5	5.5	6	8	5020782560	5020782568	25
6.34	5.5	4.5	5	7	5020782160	5020782168	21
5.34	4.5	3.5	4	6	5020781760	5020781768	17
4.34	3.5	2.5	3	5	5020781360	5020781368	13
E	D	C	B	A	ORDER No.	MATERIAL No.	CIRCUIT =N

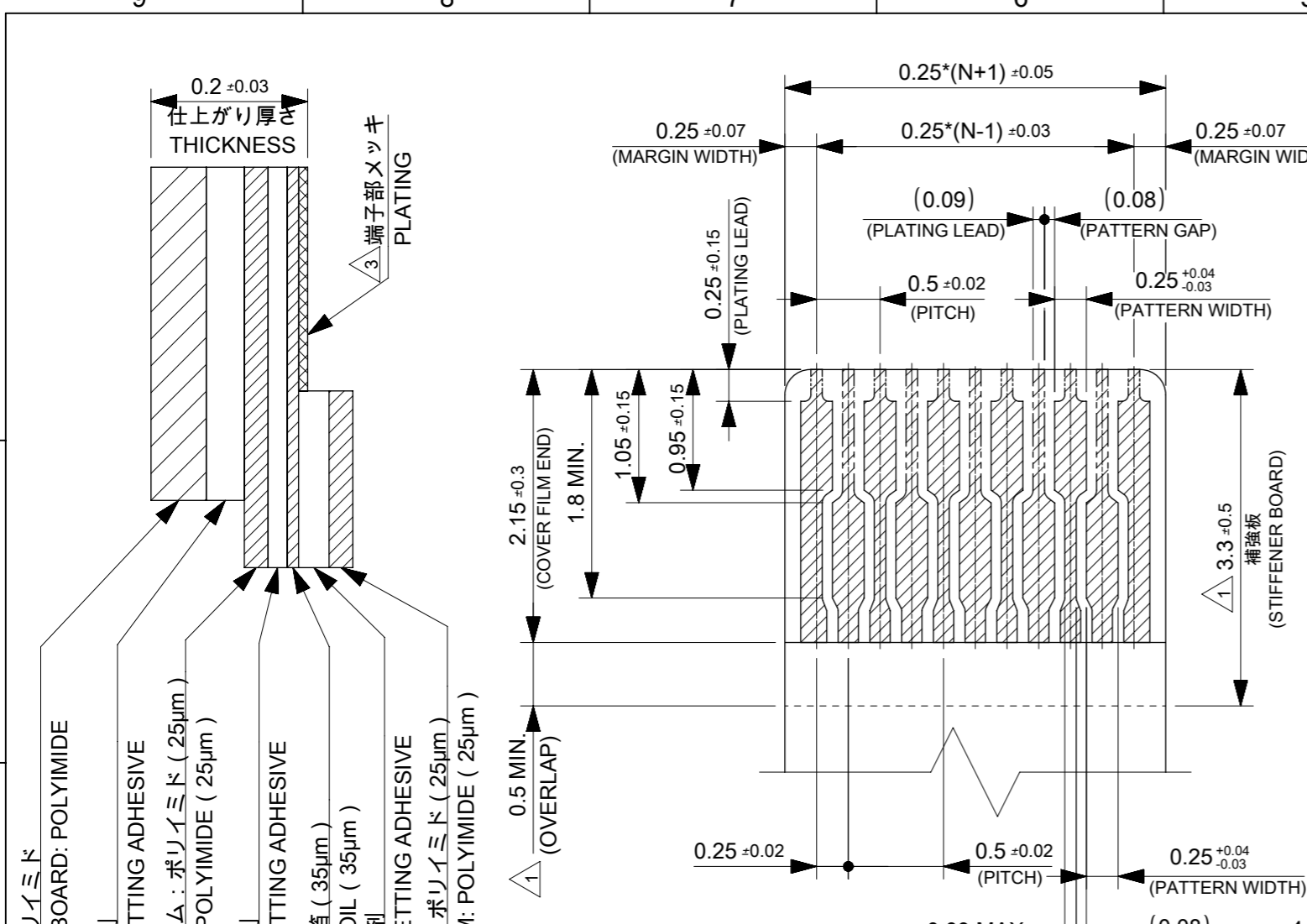
CONNECTOR SERIES No. 502078**68

THIS DRAWING CONTAINS INFORMATION THAT IS PROPRIETARY TO MOLEX ELECTRONIC TECHNOLOGIES, LLC AND SHOULD NOT BE USED WITHOUT WRITTEN PERMISSION

EC NO: 103444 DRWN: NVELUSAMY CHK'D: YKOBAYASHI02 APPR: TKUSUHARA01	2016/02/18	GENERAL TOLERANCES (UNLESS SPECIFIED)	DIMENSION UNITS	SCALE		
	2016/05/23	ANGULAR TOL ± °	MM	20:1		
	2016/05/24	4 PLACES ±	DRWN BY	DATE		NVELUSAMY 2016/02/18
		3 PLACES ±	CHK'D BY	DATE		YKOBAYASHI02 2016/05/23
		2 PLACES ±	APPR BY	DATE		TKUSUHARA01 2016/05/24
	1 PLACE ±	DRAFT WHERE APPLICABLE MUST REMAIN WITHIN DIMENSIONS	DRAWING SIZE	THIRD ANGLE PROJECTION		
	0 PLACES ±		A3			

PRODUCT CUSTOMER DRAWING

SERIES	MATERIAL NUMBER	CUSTOMER
502078	SEE CHART	GENERAL
DOCUMENT NUMBER	DOC TYPE	DOC PART
5020781000	PSD	000
SHEET NUMBER		1 OF 2



FPC 構成材料例
EXAMPLE OF FPC COMPOSITION MATERIAL

補強板: ポリイミド
STIFFENER BOARD: POLYIMIDE
熱硬化接着剤
THERMOSETTING ADHESIVE
ベースフィルム: ポリイミド (25µm)
BASE FILM: POLYIMIDE (25µm)
熱硬化接着剤
THERMOSETTING ADHESIVE
導体部: 銅箔 (35µm)
COPPER FOIL (35µm)
熱硬化接着剤
THERMOSETTING ADHESIVE
カバーレイ: ポリイミド (25µm)
COVER FILM: POLYIMIDE (25µm)

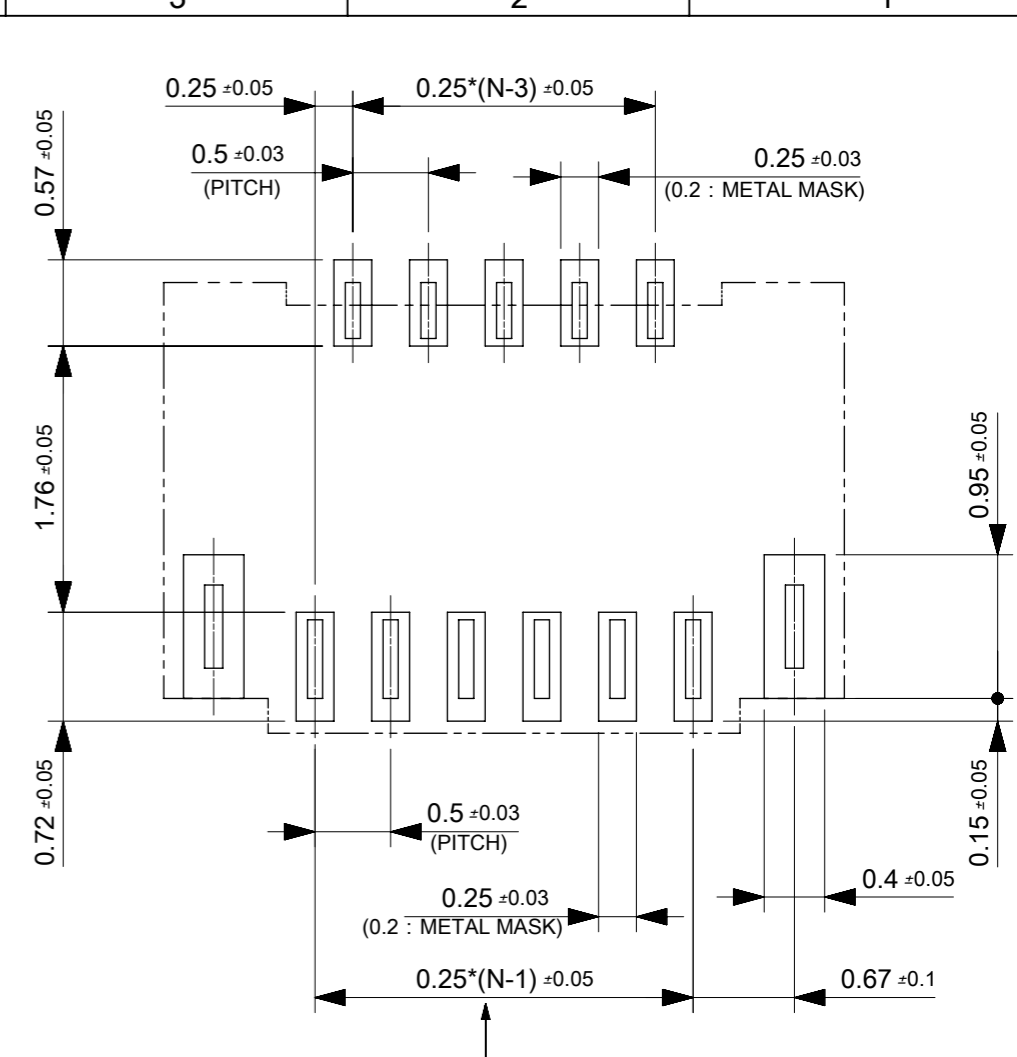
注記 NOTES

1. 補強板長さが図面通り確保できない場合は、カバーレイと補強板のオーバーラップ寸法を 0.5mm 以上としてください
WHEN STIFFENER BOARD DIMENSION CAN NOT SECURE AS DRAWING, PLEASE GIVE THE OVERLAP SIZE OF COVER FILM AND STIFFENER BOARD AS 0.5mm MINIMUM

2. 推奨ペースト厚: 100µm
推奨マスク開口率: 80%
RECOMMEND SCREEN THICKNESS: 100µm
RECOMMEND SCREEN OPEN RATIO: 80%

3. FPCパターンのメッキ仕様は
金メッキ: 0.1µm 以上
下地ニッケルメッキ: 2~6µm
FPC PATTERN PLATING
GOLD PLATING: 0.1µm MINIMUM
NICKEL UNDER PLATING: 2~6µm

適合するFPC推奨寸法
APPLICABLE FPC
RECOMMENDED DIMENSION
(端子部仕上がり厚さ: 0.2±0.03)
(THICKNESS: 0.2±0.03)



FPC挿入側
FPC INSERTION SIDE
参考基板レイアウト
RECOMMENDED PCB
PATTERN DIMENSIONS (REF.)

4. FPCについて (ABOUT FPC)
抜き方向は、導体側から補強板側を推奨します
補強板材質は、ポリイミドを推奨します
接着剤は熱硬化接着剤を推奨します
なお、接着剤の接点部への付着は導通不良の原因となりますので染み出しがないよう、お願いします。
FPCに規定された定格温度が FPC 単体前提である場合が御座います。
コネクタと組み合わせての実使用に置いて、接着層が劣化するなどの信頼性を満足できないケースを回避するため、実機での評価/確認をお願い致します。

RECOMMENDED PUNCHER DIRECTION: FROM CONDUCTOR SIDE TO STIFFENER BOARD SIDE
RECOMMENDED MATERIAL: STIFFENER BOARD: POLYIMIDE
BONDING AGENT: THERMOSETTING AGENT
PLEASE PUT APPROPRIATE AMOUNT OF ADHESIVE ON THE CONTACT AREA BECAUSE THE EXTRA ADHESIVE MAY CAUSE THE DEFECT IN ELECTRICAL CONTINUITY.

NOTE: WHEN ACTUALLY USING IT WITH CONNECTOR, PLEASE DO THE EVALUATION AND THE CONFIRMATION WITH AN ACTUAL EQUIPMENT TO EVADE THE CASE WHERE RELIABILITY CANNOT BE FILLED (THE ADHESIVE LINE OF FPC IS DETERIORATED ETC.)

THIS DRAWING CONTAINS INFORMATION THAT IS PROPRIETARY TO MOLEX ELECTRONIC TECHNOLOGIES, LLC AND SHOULD NOT BE USED WITHOUT WRITTEN PERMISSION

EC NO: 103444 DRWN: NVELUSAMY CHK'D: YKOBAYASHI02 APPR: TKUSUHARA01	2016/02/18	GENERAL TOLERANCES (UNLESS SPECIFIED)		DIMENSION UNITS	SCALE	molex [®]
	2016/05/23	ANGULAR TOL ±		MM	20:1	
	2016/05/24	4 PLACES ±	°	DRWN BY	DATE	
		3 PLACES ±		NVELUSAMY	2016/02/18	
		2 PLACES ±		CHK'D BY	DATE	0.25 PITCH FPC CONN E/O HGT=1.0 BTM CONTACT TYPE
		1 PLACE ±		YKOBAYASHI02	2016/05/23	
		0 PLACES ±		APPR BY	DATE	
		DRAFT WHERE APPLICABLE MUST REMAIN WITHIN DIMENSIONS		DRAWING SIZE	THIRD ANGLE PROJECTION	PRODUCT CUSTOMER DRAWING
				A3		SERIES
						502078
						MATERIAL NUMBER
						SEE CHART
						CUSTOMER
						GENERAL
						DOCUMENT NUMBER
						5020781000
						DOC TYPE
						PSD
						DOC PART
						000
						SHEET NUMBER
						2 OF 2