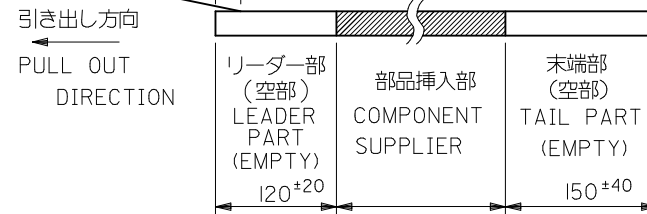
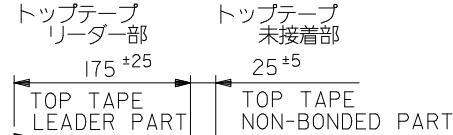


注記 NOTES

1. 製品番号 52746-***39 の梱包状態はアクチュエータがロックした状態とする。
 詳細寸法については図面 SD-52746-025 を参照下さい。
 IN THE PACKAGE,ACTUATOR OF PART NO.52746-***39 SHOULD BE LOCKED
 RE DETAILED DIMENSIONS,SEE SD-52746-025

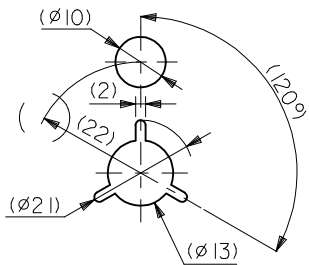
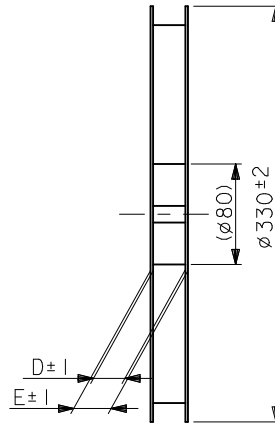
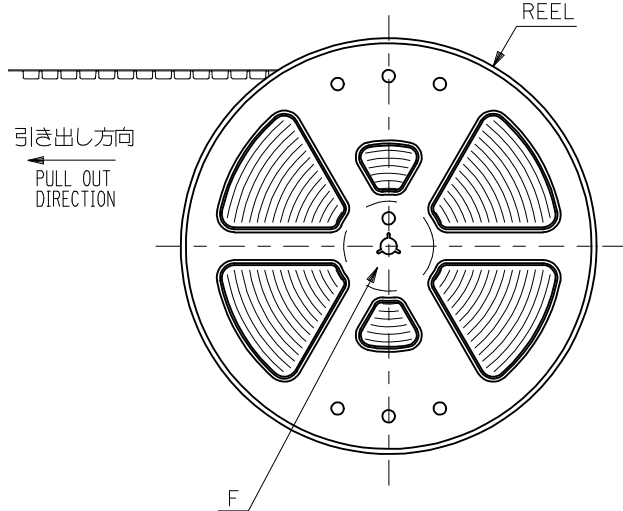
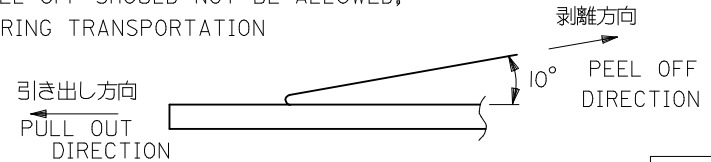
2. 梱包数量：1000個/リール
 NUMBER OF CONNECTORS:1000PCS/REEL

3. リードテープ長さ LEAD TAPE LENGTH



4. トップテープの剥離強度：(剥離方向は下図参照)
 0. 1N~1. 3N{ 10gf~130gf } 尚、本規格値は、出荷時に適用。
 (但し、輸送時に剥離が発生しない事。)

PEELING OFF FORCE OF TOP TAPE
 0. 1N ~ 1.3N{ 10gf ~ 130gf } (PEELING DIRECTION AS SHOWN IN FOLLOWING FIG.)
 THIS REQUIREMENT SHOULD BE APPLIED AT SHIPMENT
 PEEL OFF SHOULD NOT BE ALLOWED,
 DURING TRANSPORTATION



DETAIL F

5. 材料 キャリアテープ：ポリプロピレン (PP)
 トップテープ：PET, PE, PEF
 リール：ポリスチレン (PS) <リサイクル材を含む>

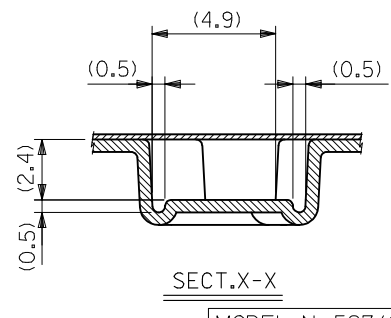
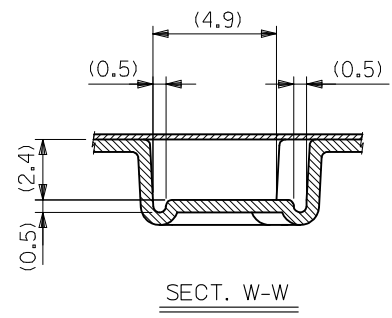
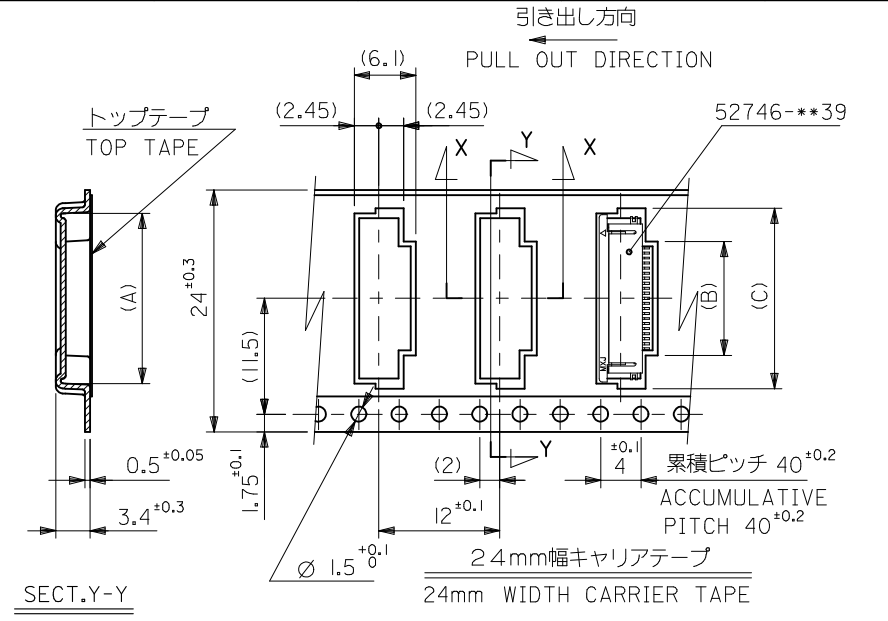
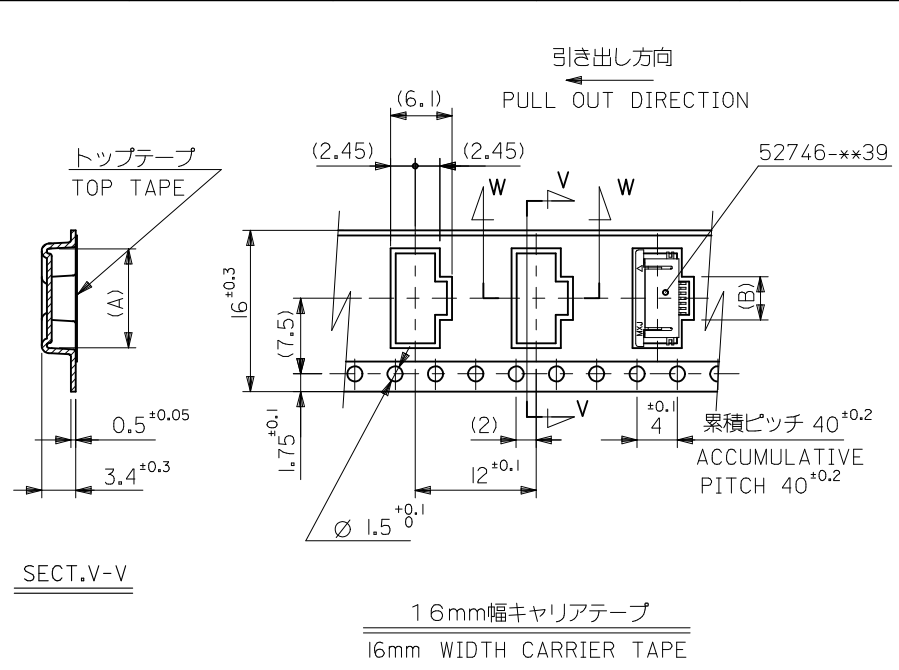
MATERIAL CARRIER TAPE:POLYPROPYLENE
 TOP TAPE:PET,PE,PEF
 REEL:POLYSTYRENE(PS)
 <RECYCLE MATERIAL CONTAINED>

6. 本製品は 52746-***81 の鉛フリー品です
 THIS PRODUCT IS LEAD FREE OF 52746-***81

7. 本製品は乾燥剤入り、ハイバリア梱包仕様である。
 THIS PRODUCT IS HIGH BARRIER PACKAGE WITH DESICCANT.

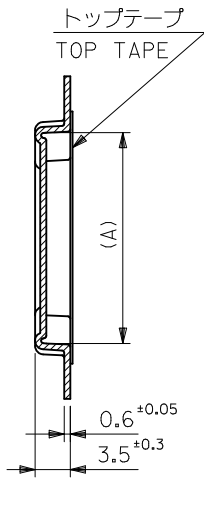
MODEL No.52746-***71

| | | | | | | |
|---|---|-------|-------------------------------|------------------------------|--|------------------------|
| REVISED EC NO: J2015-0443 DRWN:AYOSHI I 01 2014/09/30 CHKD:YKOBAYASHI 02 2014/09/30 APPR:YNOGAWA 2014/10/14 | GENERAL TOLERANCES (UNLESS SPECIFIED) | | DIMENSION STYLE MM ONLY | SCALE --- | DESIGN UNITS METRIC | THIRD ANGLE PROJECTION |
| | 10 UNDER | ±0.2 | DRAWN BY HSHIMABUKURO | DATE '04/01/30 | TITLE 0.5 FPC CONN ZIF SMT RA B/CONT EMBSTP PKG -LEAD FREE- | |
| | 10 OVER 30 UNDER | ±0.25 | CHECKED BY KTOJO | DATE '04/01/30 | | |
| | 30 OVER | ±0.3 | APPROVED BY MSASAO | DATE '04/01/30 | | |
| ANGULAR ±3 ° | DRAFT WHERE APPLICABLE MUST REMAIN WITHIN DIMENSIONS | | MATERIAL NO. SEE SHEET 2,3 | DOCUMENT NO. SD-52746-024 | SHEET NO. 1 OF 3 | |
| J | SIZE A3 THIS DRAWING CONTAINS INFORMATION THAT IS PROPRIETARY TO MOLEX INCORPORATED AND SHOULD NOT BE USED WITHOUT WRITTEN PERMISSION | | | | | |

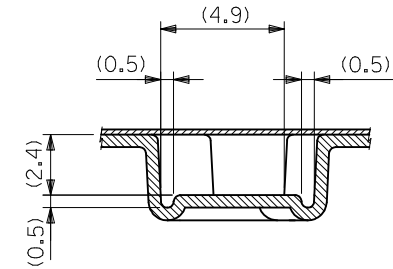
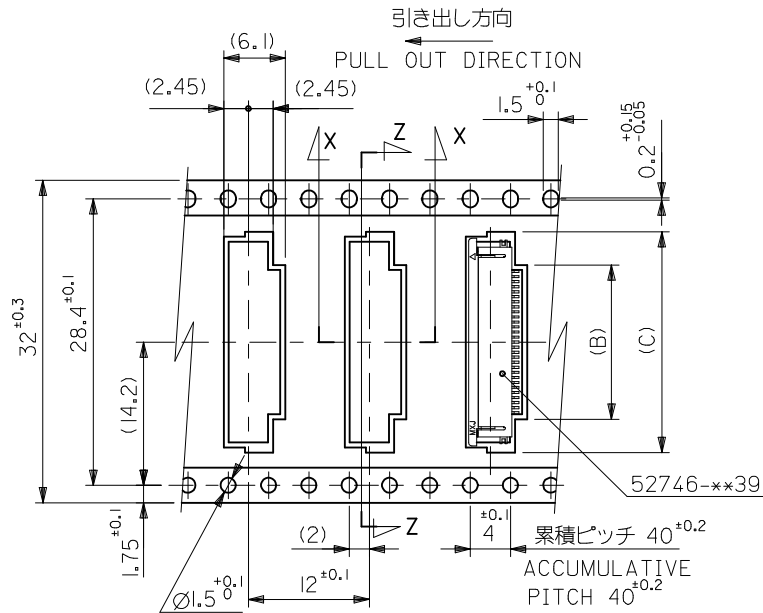


| | | | | | | | |
|--------------------------------|------|------|------------|------|------|--------------|----------------|
| 24 | 29.4 | 25.4 | 17.4 | 10.8 | 16.4 | 52746-2071 | 20 |
| | | | 16.9 | 10.3 | 15.9 | 52746-1971 | 19 |
| | | | 16.4 | 9.8 | 15.4 | 52746-1871 | 18 |
| | | | 15.9 | 9.3 | 14.9 | 52746-1771 | 17 |
| | | | 15.4 | 8.8 | 14.4 | 52746-1671 | 16 |
| | | | 14.9 | 8.3 | 13.9 | 52746-1571 | 15 |
| | | | 14.4 | 7.8 | 13.4 | 52746-1471 | 14 |
| | | | 13.9 | 7.3 | 12.9 | 52746-1371 | 13 |
| | | | 13.4 | 6.8 | 12.4 | 52746-1271 | 12 |
| | | | 12.9 | 6.3 | 11.9 | 52746-1171 | 11 |
| | | | 12.4 | 5.8 | 11.4 | 52746-1071 | 10 |
| | | | 11.9 | 5.3 | 10.9 | 52746-0971 | 9 |
| | | | 11.4 | 4.8 | 10.4 | 52746-0871 | 8 |
| | | | 10.9 | 4.3 | 9.9 | 52746-0771 | 7 |
| | | | 10.4 | 3.8 | 9.4 | 52746-0671 | 6 |
| 9.4 | 2.8 | 8.4 | 52746-0471 | 4 | | | |
| キャリアテープ幅 CARRIER TAPE WIDTH | E | D | (C) | (B) | (A) | MATERIAL NO. | 極数 CIRCUITS |

| | | | | | | | | | | |
|--|--|--|----------------------------|------------|-------------------|--|--|---------------------------|---------------------|--|
| REVISED EC NO: J2015-0443 DRWN: AYOSHI I 2014/09/30 CHKD: YKOBAYASHI 022014/09/30 APPR: YNOGAWA 2014/10/14 | MODEL No.52746-***71 | | DIMENSION STYLE MM ONLY | | SCALE --- | DESIGN UNITS METRIC | | THIRD ANGLE PROJECTION | | |
| | GENERAL TOLERANCES (UNLESS SPECIFIED) | | DRAWN BY HSHIMABUKURO | | DATE '04/01/30 | | TITLE 0.5 FPC CONN ZIF SMT RA B/CONT EMBSTP PKG -LEAD FREE- | | | |
| | 10 UNDER | ±0.2 | CHECKED BY KTOJO | | DATE '04/01/30 | | molex | | | |
| | 10 OVER 30 UNDER | ±0.25 | APPROVED BY MSASAO | | DATE '04/01/30 | | | | | |
| | 30 OVER | ±0.3 | MATERIAL NO. | | SEE TABLE | | DOCUMENT NO. SD-52746-024 | | SHEET NO. 2 OF 3 | |
| ANGULAR ±3 ° | | DRAFT WHERE APPLICABLE MUST REMAIN WITHIN DIMENSIONS | | SIZE A3 | | THIS DRAWING CONTAINS INFORMATION THAT IS PROPRIETARY TO MOLEX INCORPORATED AND SHOULD NOT BE USED WITHOUT WRITTEN PERMISSION | | | | |



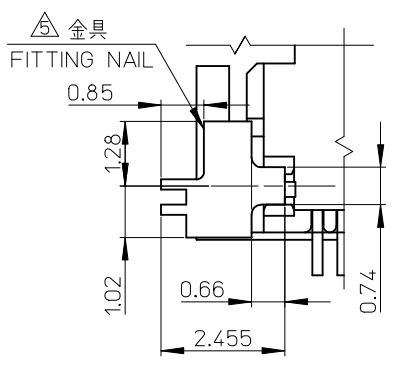
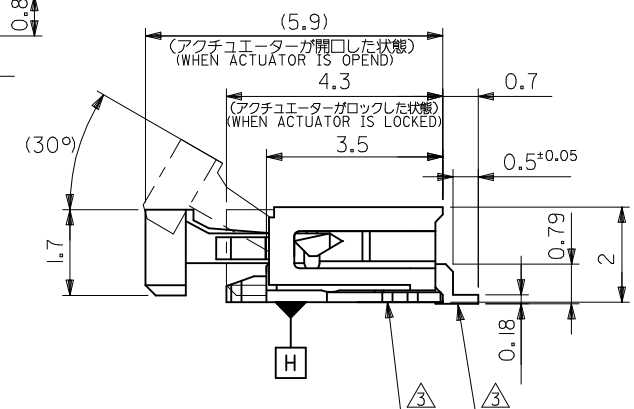
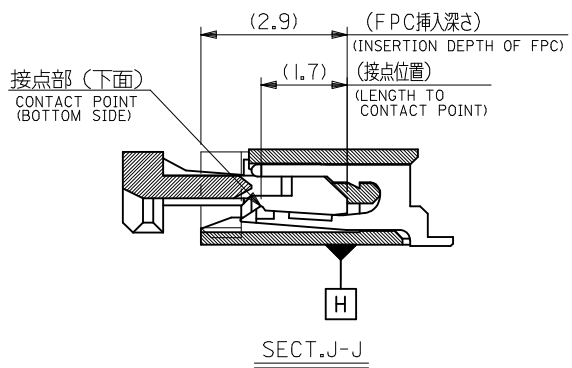
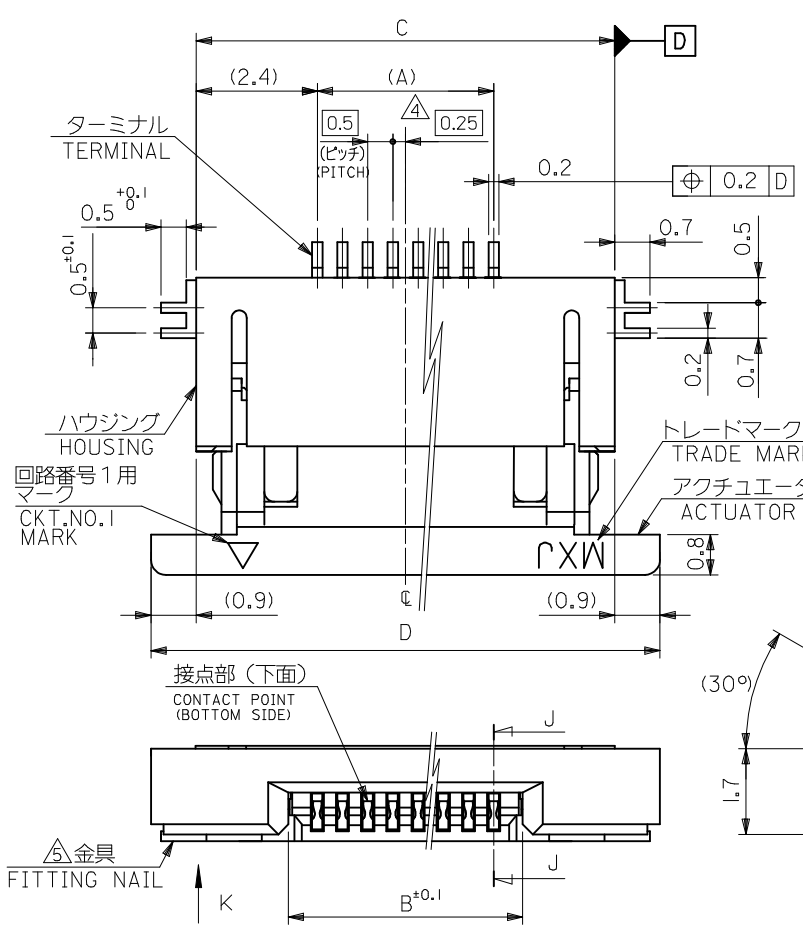
SECT.Z-Z



SECT.X-X

32mm幅キャリアテープ
32mm WIDTH CARRIER TAPE

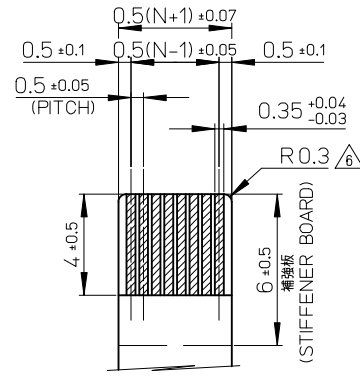
| | | | | | | | | | | | |
|---|----------------------|--|------------------------|----------------------------|------------------------------|--|------------------------|------------------------|--|--|--|
| REVISED EC NO: J2015-0443 DRWN:AYOSHI 2014/09/30 CHKD:YKOBAYASHI 2014/09/30 APPR:YNOGAWA 2014/10/14 | DESCRIPTION REV J | GENERAL TOLERANCES (UNLESS SPECIFIED) | | DIMENSION STYLE MM ONLY | | SCALE --- | DESIGN UNITS METRIC | THIRD ANGLE PROJECTION | | | |
| | | 10 UNDER ±0.2 | 10 OVER 30 UNDER ±0.25 | DRAWN BY HSHIMABUKURO | DATE '04/01/30 | TITLE 0.5 FPC CONN ZIF SMT RA B/CONT EMBSTP PKG -LEAD FREE- | | | | | |
| | | 30 OVER ±0.3 | ANGULAR ±3 ° | CHECKED BY KTOJO | DATE '04/01/30 | APPROVED BY MSASAO DATE '04/01/30 | | | | | |
| | | DRAFT WHERE APPLICABLE MUST REMAIN WITHIN DIMENSIONS | | MATERIAL NO. SEE TABLE | DOCUMENT NO. SD-52746-024 | SHEET NO. 3 OF 3 | | | | | |



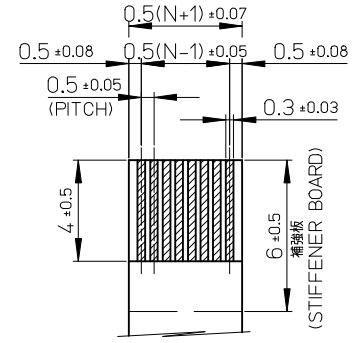
| | | | | | |
|------|------|-------|-----|--------------------------------------|------------|
| 16.1 | 14.3 | 10.65 | 9.5 | 52746-2071 | 20 |
| 15.6 | 13.8 | 10.15 | 9 | 52746-1971 | 19 |
| 15.1 | 13.3 | 9.65 | 8.5 | 52746-1871 | 18 |
| 14.6 | 12.8 | 9.15 | 8 | 52746-1771 | 17 |
| 14.1 | 12.3 | 8.65 | 7.5 | 52746-1671 | 16 |
| 13.6 | 11.8 | 8.15 | 7 | 52746-1571 | 15 |
| 13.1 | 11.3 | 7.65 | 6.5 | 52746-1471 | 14 |
| 12.6 | 10.8 | 7.15 | 6 | 52746-1371 | 13 |
| 12.1 | 10.3 | 6.65 | 5.5 | 52746-1271 | 12 |
| 11.6 | 9.8 | 6.15 | 5 | 52746-1171 | 11 |
| 11.1 | 9.3 | 5.65 | 4.5 | 52746-1071 | 10 |
| 10.6 | 8.8 | 5.15 | 4 | 52746-0971 | 9 |
| 10.1 | 8.3 | 4.65 | 3.5 | 52746-0871 | 8 |
| 9.6 | 7.8 | 4.15 | 3 | 52746-0771 | 7 |
| 9.1 | 7.3 | 3.65 | 2.5 | 52746-0671 | 6 |
| 8.1 | 6.3 | 2.65 | 1.5 | 52746-0471 | 4 |
| D | C | B | (A) | EMBOSSED PACKAGE ORDER No. オーダー番号 | 極数 CKT. |

CONNECTOR SERIES NO. : 52746-**39

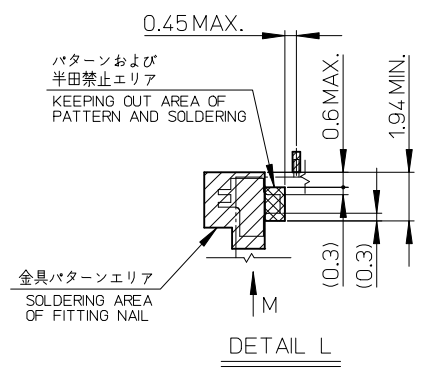
| | | | | | | | | |
|---|--|------------------------|-----------------------------------|--|----------------------|---|---------------------------|--|
| REVISED EC NO: J2015-0443 DRWN:AYOSHI I 01 2014/09/30 CHKD:YKOBAYASHI 02 2014/09/30 APPR:YNOGAWA 2014/10/14 | GENERAL TOLERANCES (UNLESS SPECIFIED) | | DIMENSION STYLE MM ONLY | | SCALE 10:1 | DESIGN UNITS METRIC | THIRD ANGLE PROJECTION | |
| | 10 UNDER ±0.2 | 10 OVER 30 UNDER ±0.25 | 30 OVER ±0.3 | DRAWN BY HSHIMABUKURO | DATE '04/01/30 | TITLE 0.5 FPC CONN. ZIF FOR SMT R/A (BOTTOM CONTACT) GOLD PLATING | | |
| | ANGULAR ±3 ° | | | CHECKED BY KTOJO | DATE '04/01/30 | molex | | |
| | DRAFT WHERE APPLICABLE MUST REMAIN WITHIN DIMENSIONS | | | APPROVED BY MSASAO | DATE '04/01/30 | | | |
| J | REV | SIZE A3 | | THIS DRAWING CONTAINS INFORMATION THAT IS PROPRIETARY TO MOLEX INCORPORATED AND SHOULD NOT BE USED WITHOUT WRITTEN PERMISSION | | | | |



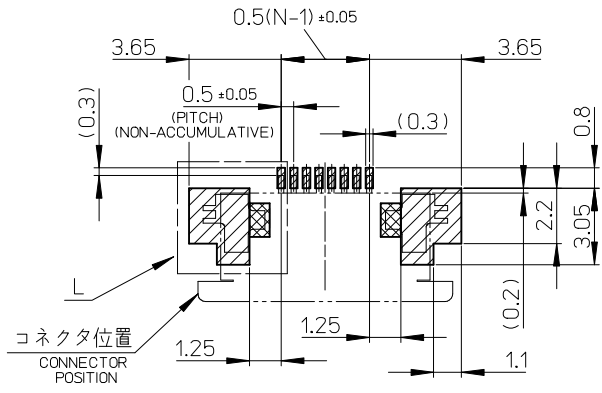
適合金めっきFPC推奨寸法
 APPLICABLE FPC OF GOLD
 PLATING RECOMMENDED DIMENSION
 仕上がり厚さ: 0.3±0.03
 THICKNESS: 0.3+0.03/-0.03



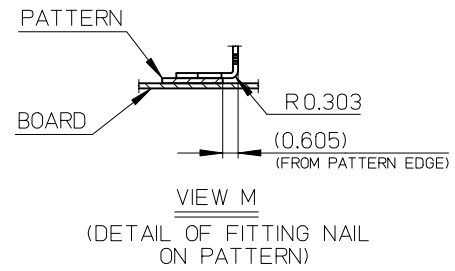
適合金めっきFFC推奨寸法
 APPLICABLE FFC OF GOLD
 PLATING RECOMMENDED DIMENSION
 仕上がり厚さ: 0.3±0.03
 THICKNESS: 0.3+0.03/-0.03



DETAIL L



参考基板レイアウト
 (マウント面)
 RECOMMENDED P.C.BOARD
 PATTERN DIMENSION(REF.)
 (MOUNTING SIDE)



VIEW M
 (DETAIL OF FITTING NAIL
 ON PATTERN)

注記NOTES

- 1.使用材料
 MATERIAL
 ハウジング: 46ナイロン、ガラス充填、UL94V-0、白
 HOUSING: PA46, GLASS FILLED, UL94V-0, WHITE
 アクチュエータ: ポリフェニレンサルファイド (PPS)、ガラス充填、UL94V-0、茶色
 ACTUATOR: POLYPHENYLENE SULFIDE, GLASS FILLED, UL94V-0, BROWN
 ターミナル: リン青銅、ニッケル下地金めっき (t=0.2)
 TERMINAL: PHOSPHOR BRONZE, GOLD OVER NICKEL PLATING
 金具: リン青銅、ニッケル下地金めっき (t=0.2)
 FITTING NAIL: PHOSPHOR BRONZE, TIN OVER NICKEL PLATING
2. エンボステープ梱包時は、アクチュエータがロックした状態になります。
 IN THE PACKAGE, ACTUATOR OF PART NO.52746-xx39 SHOULD BE LOCKED.
3. ソルダータール半田付け面のズレ量、及び金具半田付け面のズレ量は、基準面Hに対して上方向に0.1MAXIMUM、下方向0.15MAXIMUMとする。
 MISALIGNMENT OF SOLDER TAILS AND FITTING NAILS FROM DATUM-H.
 UPPER DIRECTION: 0.1MAXIMUM
 LOWER DIRECTION: 0.15 MAXIMUM
4. 偶数極に適用
 APPLY FOR EVEN CIRCUIT.
5. ハ' ターン剥離止め金具
 FITTING NAIL FOR PREVENTION OF PEELING OF P.W.B. PATTERN.
6. R0.3は、FPCの導体部にかからないこと
 R0.3 MUST NOT BE OVERLAPED TO PATTERN OF FPC.
7. ELV 及び RoHS 適合品
 ELV AND RoHS COMPLIANT

FPCについて:
 打ち抜き方向は導体側から補強板を推奨いたします。
 補強フィルム材質はポリイミドを推奨いたします。
 ABOUT FPC:
 RECOMMENDED PUNCHER DIRECTION: FROM CONDUCTOR SIDE TO STIFFNER BOARD SIDE.
 RECOMMENDED MATERIAL:
 STIFFNER FILM: POLYIMIDE
 BONDING AGENT: THERMOSETTING BONDING AGENT

| | | | | | | | |
|---|---------------------------------------|---------------------------|---|------------------------------|--|------------------------|------------------------|
| REVISED EC NO: J2015-0443 DRWN: YOSHI 2014/09/30 CHKD: YKOBAYASHI 022014/09/30 APPR: YNOGAWA 2014/10/14 | GENERAL TOLERANCES (UNLESS SPECIFIED) | | DIMENSION STYLE MM ONLY | | SCALE 5:1 | DESIGN UNITS METRIC | THIRD ANGLE PROJECTION |
| | 10 UNDER | ±0.2 | DRAWN BY HSHIMABUKURO | DATE '04/01/30 | TITLE 0.5 FPC CONN. ZIF FOR SMT R/A (BOTTOM CONTACT) GOLD PLATING | | |
| | 10 OVER 30 UNDER | ±0.25 | CHECKED BY KTOJO | DATE '04/01/30 | | | |
| | 30 OVER | ±0.3 | APPROVED BY MSASAO | DATE '04/01/30 | | | |
| ANGULAR ±3 ° | | MATERIAL NO. SEE TABLE | | DOCUMENT NO. SD-52746-025 | | SHEET NO. 2 OF 2 | |
| DRAFT WHERE APPLICABLE MUST REMAIN WITHIN DIMENSIONS | | SIZE A3 | THIS DRAWING CONTAINS INFORMATION THAT IS PROPRIETARY TO MOLEX INCORPORATED AND SHOULD NOT BE USED WITHOUT WRITTEN PERMISSION | | | | |