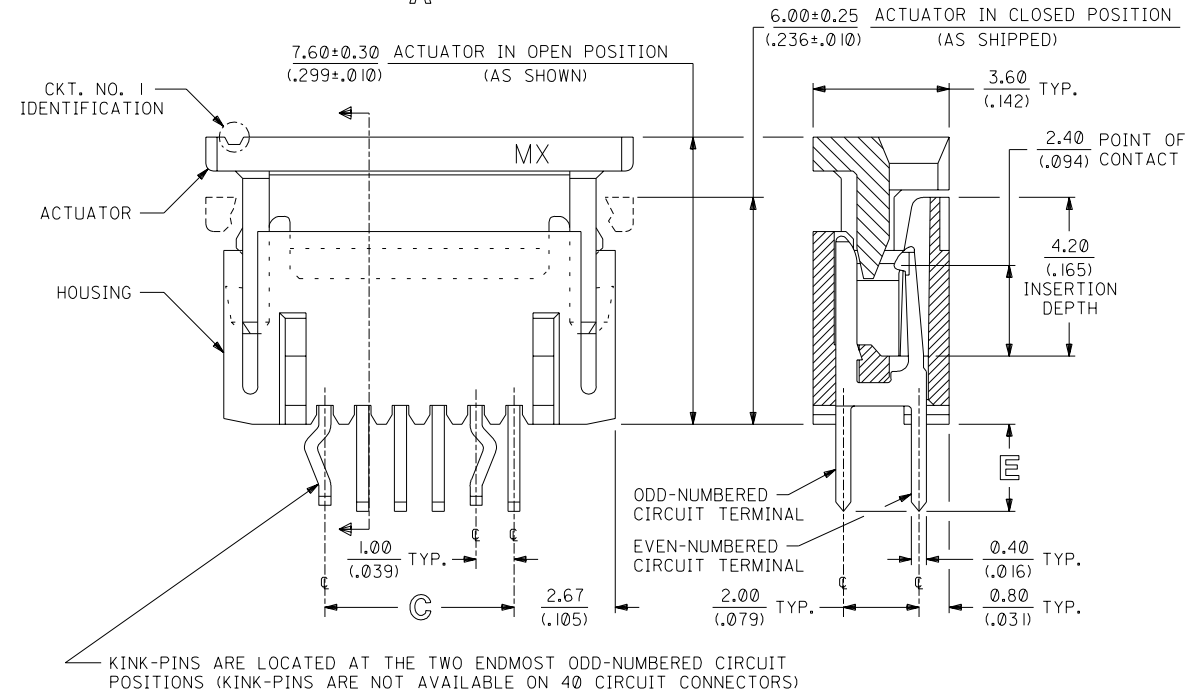
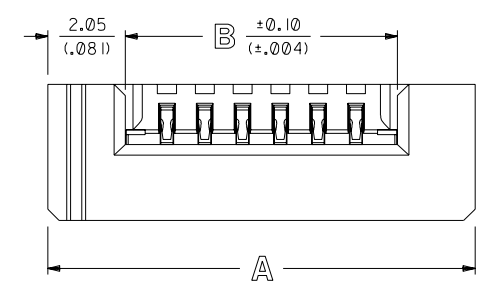
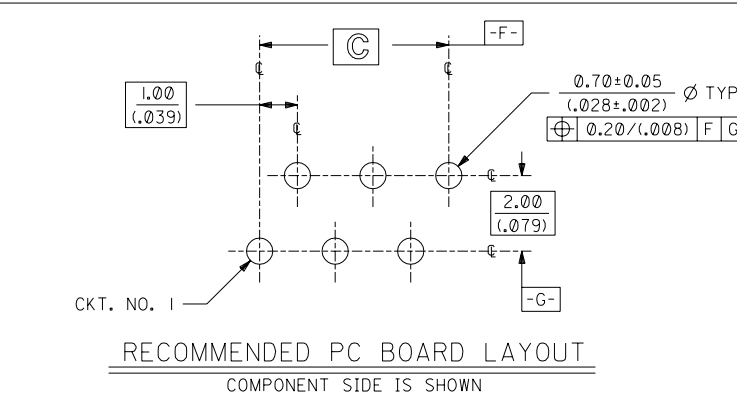
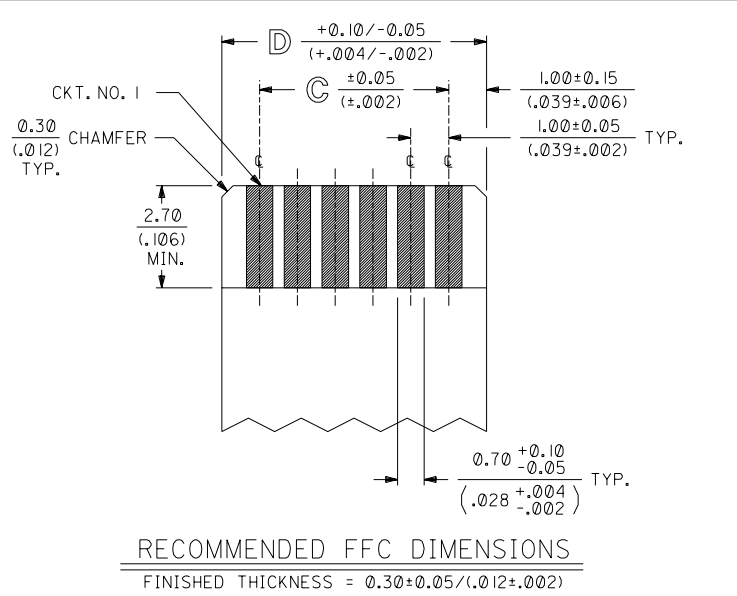


NOTES:

- CONNECTOR MATERIALS:
HOUSING IS MADE OF NYLON (SEE CHART ON SHEET 2 FOR COLOR) AND ACTUATOR IS MADE OF LCP (LIQUID CRYSTAL POLYMER) (COLOR IS BLUE), BOTH ARE GLASS-FILLED AND RATED U.L. 94V-0; TERMINALS ARE 0.32/(.013) THICK PHOSPHOR BRONZE.
- TERMINAL FINISH:
5.0 MICROMETERS/200 MICROINCHES MINIMUM TIN OVER 1.3 MICROMETERS/ 50 MICROINCHES MINIMUM NICKEL UNDERPLATE OVERALL.
- THIS CONNECTOR CONFORMS TO PRODUCT SPECIFICATION PS-71226.
- SEE SHEET 2 FOR CONNECTOR PART NUMBERS, PACKAGING OPTIONS, AND DIMENSIONS NOT SHOWN BELOW.



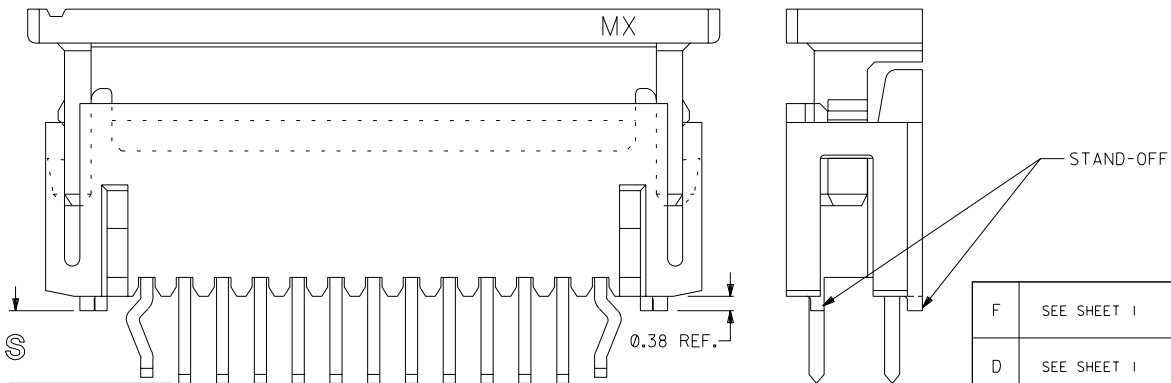
NOTE FOR LEAD FREE CONVERSION:
THE PRIMARY SHIPPING CARTON WILL BE LABELED "COMPLIANT TO ROHS DIRECTIVE 2002/95/EC AND ELV ANNEX II OF DIRECTIVE 2000/53/EC". CARTONS WITHOUT THIS LABEL MAY CONTAIN PRODUCT WITH LEAD.

LTR. REVISIONS			LTR. REVISIONS			LTR. REVISIONS			UNLESS OTHERWISE SPECIFIED TOLERANCES: ANGULAR $\pm 1/2^\circ$			REVISIONS		
G LEAD FREE CONV ECN UCP2004-2092 RKADAMS 04/04/22			D ADD P/N -2675 ECN *UDT1999-0824 DMORGAN 99/04/06			C ADDED TOL. & BASIC BOXES PER EC * U81224 J. LONG 97/11/20			3 PLACE $\pm .005$			TITLE		
E MOD HSG GEOMETRY ECN *UDT1999-1104 DMORGAN 99/07/09			C1			ADD PKG SPEC ECN *UDT1998-0299 05/26/98 LMCGRATH			2 PLACE \pm			1,00mm/(.039) PITCH, ZIF, FFC CONNECTOR		
F DELETE TUBE PKG UCP2003-1972 RWHITE 03/03/17			C2			ADD CKT. NO. 1 ECN *UDT1999-0014 07/08/98 LMCGRATH			1 PLACE \pm			MOLEX INCORPORATED SHEET NO. DATE U.S.A. 1 OF 2 12/16/92		
LTR. REVISIONS			LTR. REVISIONS			LTR. REVISIONS			DRAWING INFORMATION			PART NO. SD-71226-***5		
LTR. REVISIONS			LTR. REVISIONS			LTR. REVISIONS			DRAWN BY: GLT, CHECKED BY: CAB, APP'D BY: CAB, SCALE: 10:1			THIS DRAWING CONTAINS INFORMATION THAT IS PROPRIETARY TO MOLEX INC. AND SHOULD NOT BE USED WITHOUT WRITTEN PERMISSION.		

2	F
1	G
MFG. SH. REV.	

CKT SIZE	ITEM NUMBER	HOUSING COLOR	X=NOT TOOLED	DIM A	DIM B	DIM C	DIM D	DIM E
4	71226-0425	NATURAL		9.30/(.366)	5.20/(.205)	3.00/(.118)	5.00/(.197)	↑ 2.25 ± 0.20 (.089 ± .008) ↓
6	71226-0625	NATURAL		11.30/(.445)	7.20/(.283)	5.00/(.197)	7.00/(.276)	
8	71226-0825	NATURAL		13.30/(.524)	9.20/(.362)	7.00/(.276)	9.00/(.354)	
10	71226-1025	NATURAL		15.30/(.602)	11.20/(.441)	9.00/(.354)	11.00/(.433)	
12	71226-1225	NATURAL		17.30/(.681)	13.20/(.520)	11.00/(.433)	13.00/(.512)	
14	71226-1425	NATURAL		19.30/(.760)	15.20/(.598)	13.00/(.512)	15.00/(.591)	
16	71226-1625	NATURAL		21.30/(.839)	17.20/(.677)	15.00/(.591)	17.00/(.669)	
18	71226-1825	NATURAL		23.30/(.917)	19.20/(.756)	17.00/(.669)	19.00/(.748)	
20	71226-2025	NATURAL		25.30/(.996)	21.20/(.835)	19.00/(.748)	21.00/(.827)	
22	71226-2225	NATURAL		27.30/(1.075)	23.20/(.913)	21.00/(.827)	23.00/(.906)	
24	71226-2425	NATURAL		29.30/(1.154)	25.20/(.992)	23.00/(.906)	25.00/(.984)	
26	71226-2625	NATURAL		31.30/(1.232)	27.20/(1.071)	25.00/(.984)	27.00/(1.063)	
28	71226-2825	NATURAL		33.30/(1.311)	29.20/(1.150)	27.00/(1.063)	29.00/(1.142)	
30	71226-3025	NATURAL		35.30/(1.390)	31.20/(1.228)	29.00/(1.142)	31.00/(1.220)	
40	71226-4025	NATURAL	X	45.30/(1.783)	41.20/(1.622)	39.00/(1.536)	41.00/(1.614)	
4	71226-0435	NATURAL		9.30/(.366)	5.20/(.205)	3.00/(.118)	5.00/(.197)	↑ 3.15 ± 0.20 (.124 ± .008) ↓
6	71226-0635	NATURAL		11.30/(.445)	7.20/(.283)	5.00/(.197)	7.00/(.276)	
8	71226-0835	NATURAL		13.30/(.524)	9.20/(.362)	7.00/(.276)	9.00/(.354)	
10	71226-1035	NATURAL		15.30/(.602)	11.20/(.441)	9.00/(.354)	11.00/(.433)	
12	71226-1235	NATURAL		17.30/(.681)	13.20/(.520)	11.00/(.433)	13.00/(.512)	
14	71226-1435	NATURAL		19.30/(.760)	15.20/(.598)	13.00/(.512)	15.00/(.591)	
16	71226-1635	NATURAL		21.30/(.839)	17.20/(.677)	15.00/(.591)	17.00/(.669)	
18	71226-1835	NATURAL		23.30/(.917)	19.20/(.756)	17.00/(.669)	19.00/(.748)	
20	71226-2035	NATURAL		25.30/(.996)	21.20/(.835)	19.00/(.748)	21.00/(.827)	
22	71226-2235	NATURAL		27.30/(1.075)	23.20/(.913)	21.00/(.827)	23.00/(.906)	
24	71226-2435	NATURAL		29.30/(1.154)	25.20/(.992)	23.00/(.906)	25.00/(.984)	
26	71226-2635	NATURAL		31.30/(1.232)	27.20/(1.071)	25.00/(.984)	27.00/(1.063)	
28	71226-2835	NATURAL		33.30/(1.311)	29.20/(1.150)	27.00/(1.063)	29.00/(1.142)	
30	71226-3035	NATURAL		35.30/(1.390)	31.20/(1.228)	29.00/(1.142)	31.00/(1.220)	
40	71226-4035	NATURAL	X	45.30/(1.783)	41.20/(1.622)	39.00/(1.536)	41.00/(1.614)	
26	71226-2675	NATURAL		31.30/(1.232)	27.20/(1.071)	25.00/(.984)	27.00/(1.063)	2.77 ± 0.20 (.109 ± .008)

PACKAGED IN TRAYS PER PK-70873-0246



STAND-OFF OPTION (71226-2675 SHOWN)
SEE SHEET I FOR DIMENSION NOT SHOWN

F	SEE SHEET I	B	SEE SHEET I
D	SEE SHEET I	AI	SEE SHEET I
CI	SEE SHEET I	A	SEE SHEET I
LTR.	REVISIONS	LTR.	REVISIONS

DIMENSIONS SHOWN METRIC/(INCH)

UNLESS OTHERWISE SPECIFIED TOLERANCES: ANGULAR ± 1/2°	▽ = 0	▼ = 0	REVISE ONLY ON CAD SYSTEM
3 PLACE ± — — —	TITLE		
2 PLACE ± — ± — —	1.00mm/(.039) PITCH, ZIF, FFC CONNECTOR		
1 PLACE — — ± — —	MOLEX INCORPORATED SHEET NO. 2 DATE 12/16/92		
DRAFT WHERE APPLICABLE MUST REMAIN WITHIN DIMENSIONS	PART NO. SEE CHART DRWG. NO. SD-71226-***5		
DRWG. BY GLT CHK'D BY CAB	FILE NAME SD7122608 DGN		
APP'D BY CAB SCALE :	THIS DRAWING CONTAINS INFORMATION THAT IS PROPRIETARY TO MOLEX INC. AND SHOULD NOT BE USED WITHOUT WRITTEN PERMISSION.		
			DIV. CPP SIZE C

71226