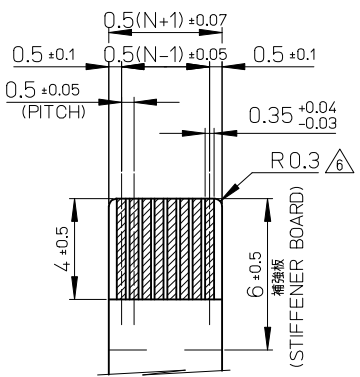


VIEW K  
(金具部投影図)  
(DETAIL OF FITTING NAIL)

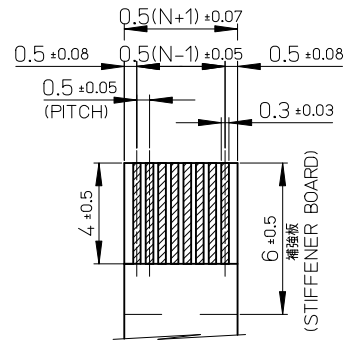
16.1	14.3	10.65	9.5	52746-2090	20
11.1	9.3	5.65	4.5	52746-1090	10
9.1	7.3	3.65	2.5	52746-0690	6
8.1	6.3	2.65	1.5	52746-0490	4
D	C	B	(A)	EMBOSSED PACKAGE ORDER No. オーダー番号	極数 CKT.

CONNECTOR SERIES NO. : 52746-\*\*17

REVISED EC NO. J2015-1304 DRWN:SANUMA 2015/04/02 CHKD:KAKAHASHI 2015/04/02 APPR:YNOGAWA 2015/04/17 K	GENERAL TOLERANCES (UNLESS SPECIFIED)		DIMENSION STYLE MM ONLY		SCALE 10:1	DESIGN UNITS METRIC	THIRD ANGLE PROJECTION
	0.25 UNDER	UNDER	±0.03	DRAWN BY SAIHARA	DATE 1994/3/24	TITLE 0.5 FPC CONN. ZIF FOR SMT R/A (BOTTOM CONTACT) TIN-LEAD PLATING	
	0.25 OVER	0.5 UNDER	±0.05	CHECKED BY SKUNISHI	DATE 2000/6/30		
	0.5 OVER	1.0 UNDER	±0.1	APPROVED BY MFUKUSHIMA	DATE 2000/6/30		
	1.0 OVER	10 UNDER	±0.2	MATERIAL NO.	SEE CHART		DOCUMENT NO. SD-52746-030
30 OVER	30 UNDER	±0.25	DRAFT WHERE APPLICABLE MUST REMAIN WITHIN DIMENSIONS		THIS DRAWING CONTAINS INFORMATION THAT IS PROPRIETARY TO MOLEX INCORPORATED AND SHOULD NOT BE USED WITHOUT WRITTEN PERMISSION		



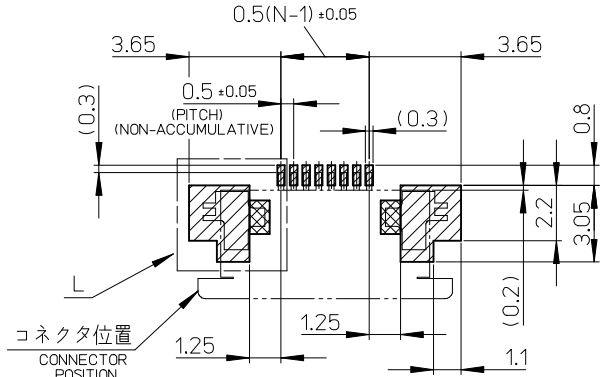
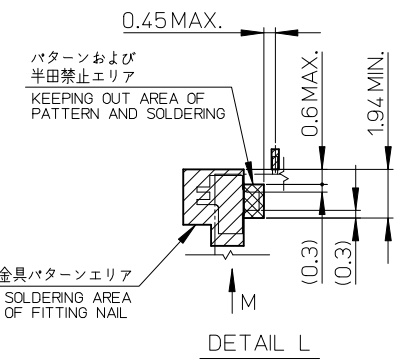
適合半田めっきFPC推奨寸法  
 APPLICABLE FPC OF TIN-LEAD  
 PLATING RECOMMENDED DIMENSION  
 仕上がり厚さ: 0.3±0.03  
 THICKNESS: 0.3+0.03/-0.03



適合半田めっきFFC推奨寸法  
 APPLICABLE FFC OF TIN-LEAD  
 PLATING RECOMMENDED DIMENSION  
 仕上がり厚さ: 0.3±0.03  
 THICKNESS: 0.3+0.03/-0.03

注記NOTES

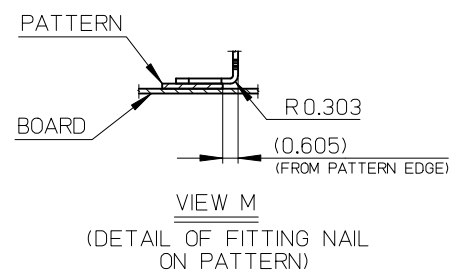
1. 使用材料  
 MATERIAL  
 ハウジング: 46ナイロン、ガラス充填、UL94V-0、白  
 HOUSING: PA46, GLASS FILLED, UL94V-0, WHITE  
 アクチュエータ: ポリフェニレンサルフィド (PPS)、ガラス充填、UL94V-0、茶色  
 ACTUATOR: POLYPHENYLENE SULFIDE, GLASS FILLED, UL94V-0, BROWN  
 ターミナル: リン青銅、銅下地半田めっき (t=0.2)  
 TERMINAL: PHOSPHOR BRONZE, TIN-LEAD OVER COPPER PLATING  
 金具: リン青銅、銅下地めっき (t=0.2)  
 FITTING NAIL: PHOSPHOR BRONZE, TIN-LEAD OVER COPPER PLATING
2. エンボステープ梱包時は、アクチュエータがロックした状態になります。  
 IN THE PACKAGE, ACTUATOR OF PART  
 NO.52746-xx\*17 SHOULD BE LOCKED.
- ③ ソルダテール半田付け面のズレ量、及び金具半田付け面のズレ量は、  
 基準面Hに対して上方向に0.1MAXIMUM、下方向0.15MAXIMUMとする。  
 MISALIGNMENT OF SOLDER TAILS AND FITTING NAILS FROM  
 DATUM-H.  
 UPPER DIRECTION: 0.1MAXIMUM  
 LOWER DIRECTION: 0.15 MAXIMUM
- ④ 偶数極に適用  
 APPLY FOR EVEN CIRCUIT.
- ⑤ パターン剥離止め金具  
 FITTING NAIL FOR PREVENTION OF PEELING OF P.W.B. PATTERN.
- ⑥ R0.3は、FPCの胴体部にかからないこと  
 R0.3 MUST NOT BE OVERLAPED TO PATTERN OF FPC.



FPCについて:

打抜き方向は導体側から補強板を推奨致します。  
 補強フィルム材質はポリイミドを推奨致します。  
 接着剤は熱硬化接着剤を推奨致します。

ABOUT FPC:  
 RECOMMENDED PUNCHER DIRECTION : FROM CONDUCTOR SIDE TO STIFFENER BOARD SIDE.  
 RECOMMENDED MATERIAL :  
 STIFFENER FILM : POLYIMIDE  
 BONDING AGENT : THERMOSETTING BONDING AGENT



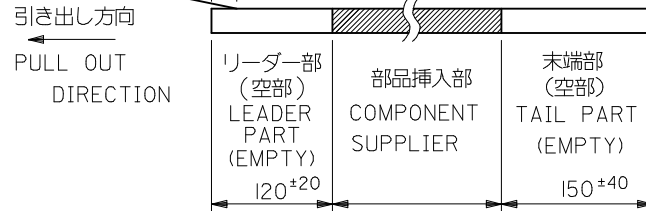
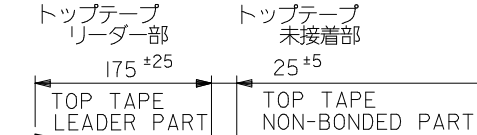
SEE SHEET 1 OF 2 EC NO.: J2015-1304 DRWN: SANUMA 2015/04/02 CHKD: KAKAHASHI 2015/04/02 APPR: YNOGAWA 2015/04/17	GENERAL TOLERANCES (UNLESS SPECIFIED)		DIMENSION STYLE MM ONLY		SCALE 5:1	DESIGN UNITS METRIC	THIRD ANGLE PROJECTION
	0.25 UNDER	UNDER	±0.03	DRAWN BY SAIHARA	DATE 1994/03/24	TITLE 0.5 FPC CONN. ZIF FOR SMT R/A (BOTTOM CONTACT) TIN-LEAD PLATING <b>molex</b> DOCUMENT NO. SD-52746-030 SHEET NO. 2 OF 2	
	0.25 OVER	0.5 UNDER	±0.05	CHECKED BY SKUNISHI	DATE 2000/6/30		
	0.5 OVER	1.0 UNDER	±0.1	APPROVED BY MFUKUSHIMA	DATE 2000/6/30		
10 OVER	10 UNDER	±---	MATERIAL NO. SEE SHEET 1 OF 2				
10 OVER	30 UNDER	±---	DRAFT WHERE APPLICABLE MUST REMAIN WITHIN DIMENSIONS		THIS DRAWING CONTAINS INFORMATION THAT IS PROPRIETARY TO MOLEX INCORPORATED AND SHOULD NOT BE USED WITHOUT WRITTEN PERMISSION		

注記 NOTES

1. 製品番号 52746-\*\*17 の梱包状態はアクチュエータがロックした状態とする。  
 詳細寸法については図面 SD-52746-030 を参照下さい。  
 IN THE PACKAGE,ACTUATOR OF PART NO.52746-\*\*17 SHOULD BE LOCKED  
 RE DETAILED DIMENSIONS,SEE SD-52746-030

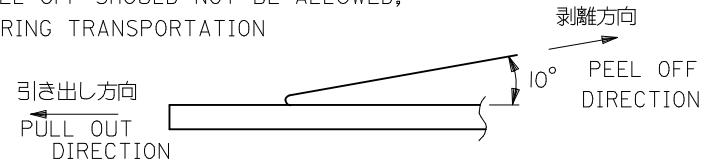
2. 梱包数量：1000個/リール  
 NUMBER OF CONNECTORS:1000PCS/REEL

3. リードテープ長さ LEAD TAPE LENGTH

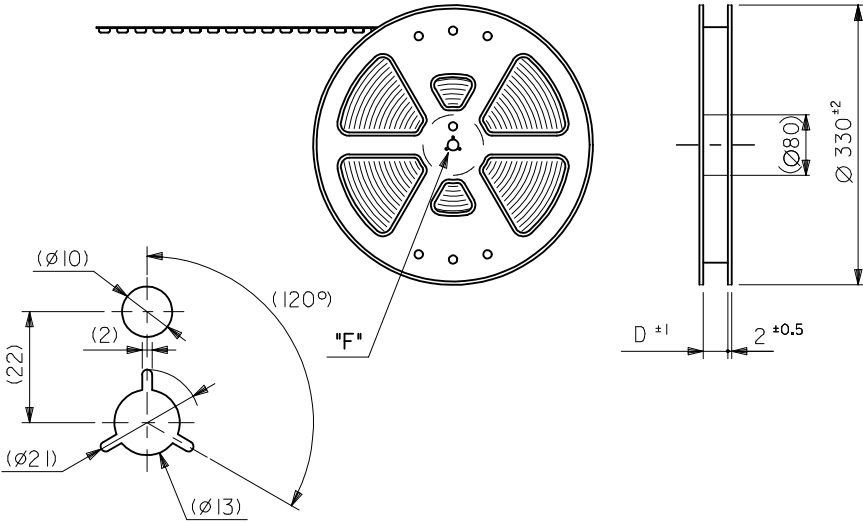


4. トップテープの剥離強度：(剥離方向は下図参照)  
 0.1N~0.7N (10.2gf~71.4gf) 尚、本規格値は、出荷時に適用。  
 (但し、輸送時に剥離が発生しない事。)

PEELING OFF FORCE OF TOP TAPE  
 0.1N~0.7N(10.2gf~71.4gf)(PEELING DIRECTION AS SHOWN IN FOLLOWING FIG.)  
 THIS REQUIREMENT SHOULD BE APPLIED AT SHIPMENT  
 PEEL OFF SHOULD NOT BE ALLOWED,  
 DURING TRANSPORTATION



引き出し方向  
 PULL OUT  
 DIRECTION



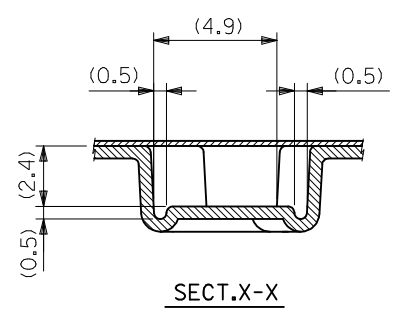
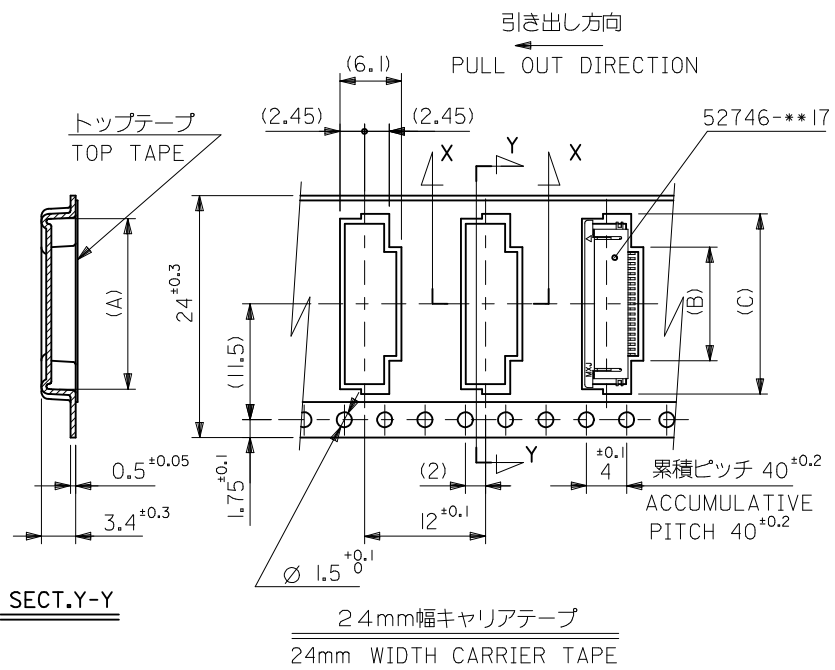
DETAIL "F"

5. 材料

キャリアテープ：ポリプロピレン (PP)  
 トップテープ：PET, PE, PEF  
 リール：ポリスチレン (PS) <リサイクル材を含む>

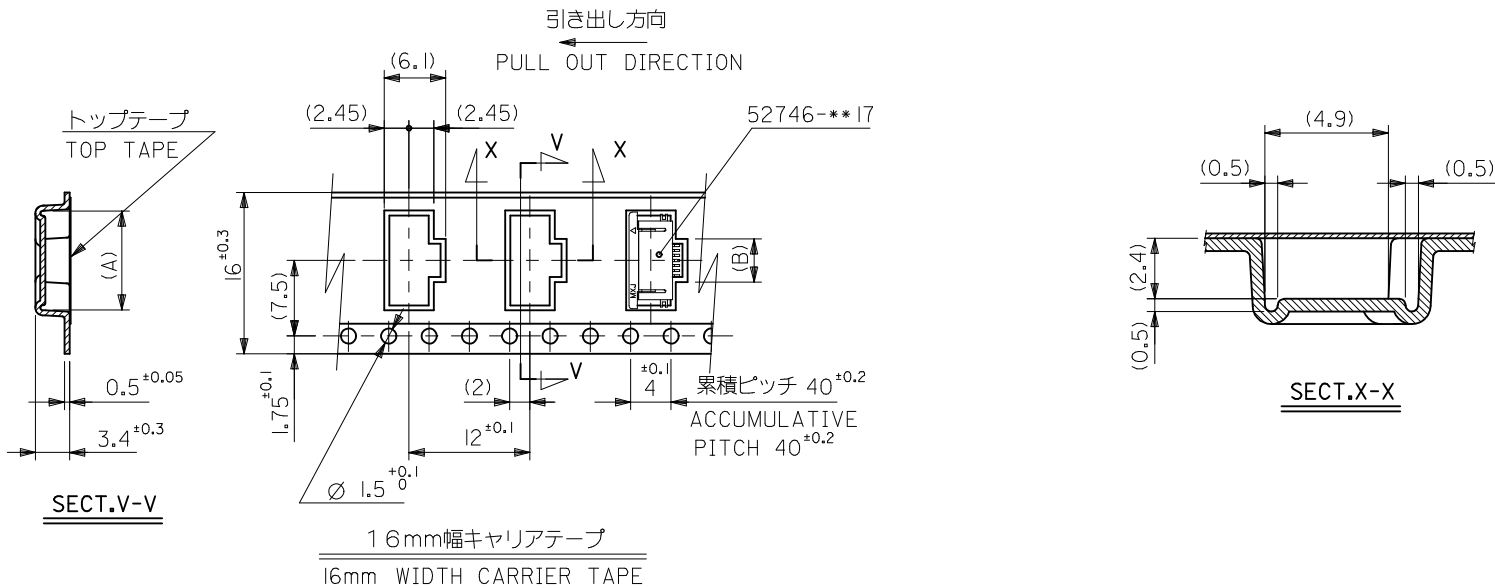
MATERIAL CARRIER TAPE:POLYPROPYLENE  
 TOP TAPE:PET,PE,PEF  
 REEL:POLYSTYREN(PS)  
 <RECYCLE MATERIAL CONTAINED>

REVISED EC NO: J2015-1304 DRWN:SANUMA 2015/04/02 CHKD:KAKAHASHI 2015/04/02 APPR:YNOGAWA 2015/04/17	GENERAL TOLERANCES (UNLESS SPECIFIED)			DIMENSION STYLE MM ONLY		SCALE ---	DESIGN UNITS METRIC	THIRD ANGLE PROJECTION
	0.25 UNDER	UNDER	±0.03	DRAWN BY	DATE	TITLE		
	0.25 OVER	0.5 UNDER	±0.05	MTAKAHASHI	104 2013/06/06	0.5 FPC CONN ZIF SMT RA BOTTOM CONTACT EMBSTP PKG (1/3)		
	0.5 OVER	1.0 UNDER	±0.1	CHECKED BY	DATE	molex		
1.0 OVER	10 UNDER	±---	KTAKAHASHI	2013/06/06	DOCUMENT NO.			
10 OVER	30 UNDER	±---	APPROVED BY	DATE	SHEET NO.			
30 OVER		±---	YNOGAWA	2013/08/26	1 OF 3			
ANGULAR	±---	°	MATERIAL NO.		SEE CHART			
DRAFT WHERE APPLICABLE MUST REMAIN WITHIN DIMENSIONS				SIZE A3	THIS DRAWING CONTAINS INFORMATION THAT IS PROPRIETARY TO MOLEX INCORPORATED AND SHOULD NOT BE USED WITHOUT WRITTEN PERMISSION			



24	24.4	17.4	10.8	16.4	52746-2090	20
		12.4	5.8	11.4	52746-1090	10
		10.4	3.8	9.4	52746-0690	6
キャリアテープ幅 CARRIER TAPE WIDTH	D	(C)	(B)	(A)	ENG. NO.	極数 CIRCUIT

SEE SHEET 1 OF 3 EC NO.: J2015-1304 DRWN: SANUMA 2015/04/02 CHKD: TAKAHASHI 2015/04/02 APPR: YNOGAWA 2015/04/17	GENERAL TOLERANCES (UNLESS SPECIFIED)			DIMENSION STYLE MM ONLY		SCALE ---	DESIGN UNITS METRIC	THIRD ANGLE PROJECTION
	0.25 UNDER	UNDER	±0.03	DRAWN BY	DATE	TITLE		
	0.25 OVER	0.5 UNDER	±0.05	MTAKAHASHI	104 2013/06/06	0.5 FPC CONN ZIF SMT RA BOTTOM CONTACT EMBSTP PKG (2/3)		
	0.5 OVER	1.0 UNDER	±0.1	KTAKAHASHI	2013/06/06			
1.0 OVER	10 UNDER	±---	APPROVED BY	DATE	DOCUMENT NO.			
10 OVER	30 UNDER	±---	YNOGAWA	2013/08/26	SD-52746-033	2 OF 3		
30 OVER		±---	MATERIAL NO.		SEE CHART			
ANGULAR ±--- °			SIZE A3		THIS DRAWING CONTAINS INFORMATION THAT IS PROPRIETARY TO MOLEX INCORPORATED AND SHOULD NOT BE USED WITHOUT WRITTEN PERMISSION			
DRAFT WHERE APPLICABLE MUST REMAIN WITHIN DIMENSIONS								



16	17.5	2.8	8.4	52746-0490	4
キャリアテープ幅 CARRIER TAPE WIDTH	D	(B)	(A)	ENG. NO.	極数 CIRCUIT

SEE SHEET 1 OF 3 EC NO: J2015-1304 DRWN:NASUNUMA 2015/04/02 CHKD:KTAKAHASHI 2015/04/02 APPR:YNOGAWA 2015/04/17	GENERAL TOLERANCES (UNLESS SPECIFIED)			DIMENSION STYLE MM ONLY		SCALE ---	DESIGN UNITS METRIC	THIRD ANGLE PROJECTION
	0.25 UNDER	UNDER	± 0.03	DRAWN BY	DATE	TITLE		
	0.25 OVER	0.5 UNDER	± 0.05	MTAKAHASHI	104 2013/06/06	0.5 FPC CONN ZIF SMT RA BOTTOM CONTACT EMBSTP PKG (3/3)		
	0.5 OVER	1.0 UNDER	± 0.1	KTAKAHASHI	2013/06/06	molex		
1.0 OVER	10 UNDER	+ ---	APPROVED BY	DATE	DOCUMENT NO.		SHEET NO.	
10 OVER	30 UNDER	+ ---	YNOGAWA	2013/08/26	SD-52746-033		3 OF 3	
30 OVER		+ ---	MATERIAL NO.		SEE CHART			
ANGULAR	± --- °		SIZE A3		THIS DRAWING CONTAINS INFORMATION THAT IS PROPRIETARY TO MOLEX INCORPORATED AND SHOULD NOT BE USED WITHOUT WRITTEN PERMISSION			
DRAFT WHERE APPLICABLE MUST REMAIN WITHIN DIMENSIONS								