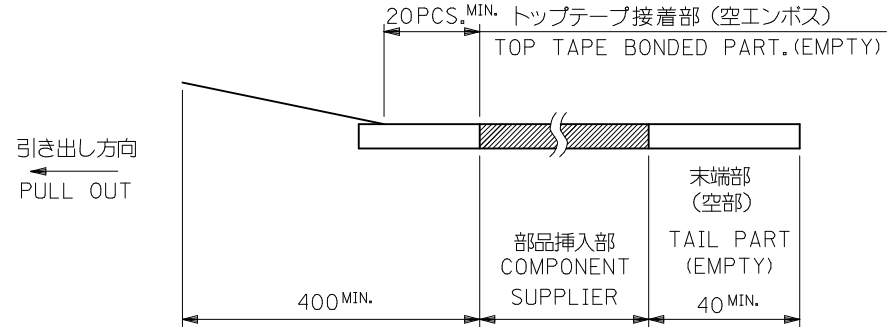
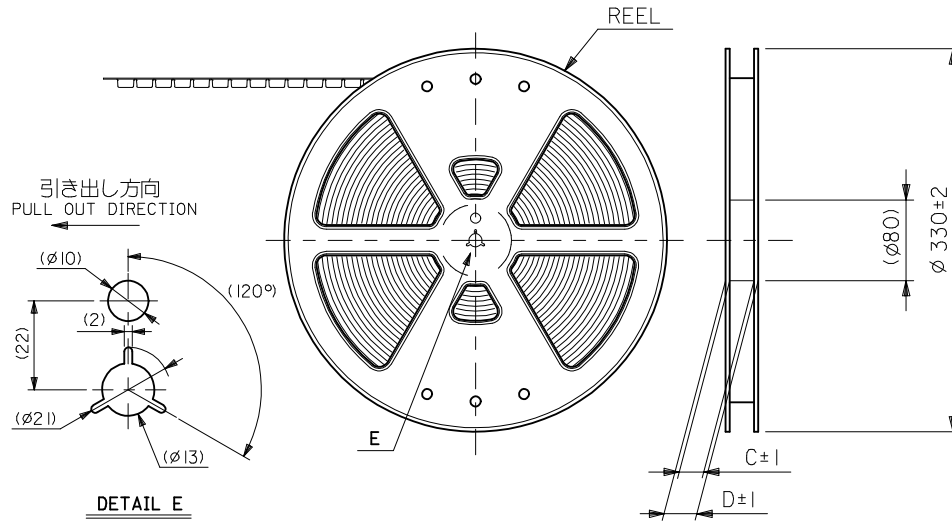


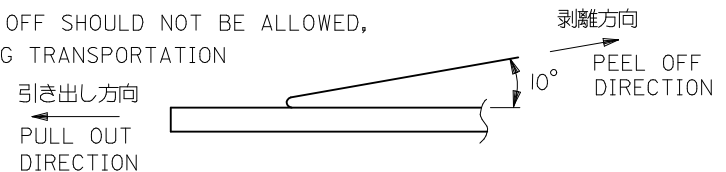
注記 NOTES

- 製品番号 52559-**19 の梱包状態はアクチュエータがロックした状態とする。
 詳細寸法については図面 SD-52559-027 を参照下さい。
 IN THE PACKAGE,ACTUATOR OF PART NO.52559-**19 SHOULD BE LOCKED
 RE DETAILED DIMENSIONS,SEE SD-52559-027
- 梱包数量：1000個/リール
 NUMBER OF CONNECTORS:1000PCS/REEL
- リードテープ長さ LEAD TAPE LENGTH



- トップテープの剥離強度：(剥離方向は下図参照)
 0.1~1.3N {10gf~130gf} 尚、本規格値は、出荷時に適用。
 (但し、輸送時に剥離が発生しない事。)

PEELING OFF FORCE OF TOP TAPE
 0.1~1.3N{10gf~130gf}(PEELING DIRECTION AS SHOWN IN FOLLOWING FIG.)
 THIS REQUIREMENT SHOULD BE APPLIED AT SHIPMENT
 PEEL OFF SHOULD NOT BE ALLOWED,
 DURING TRANSPORTATION



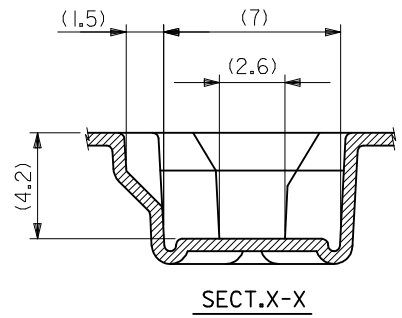
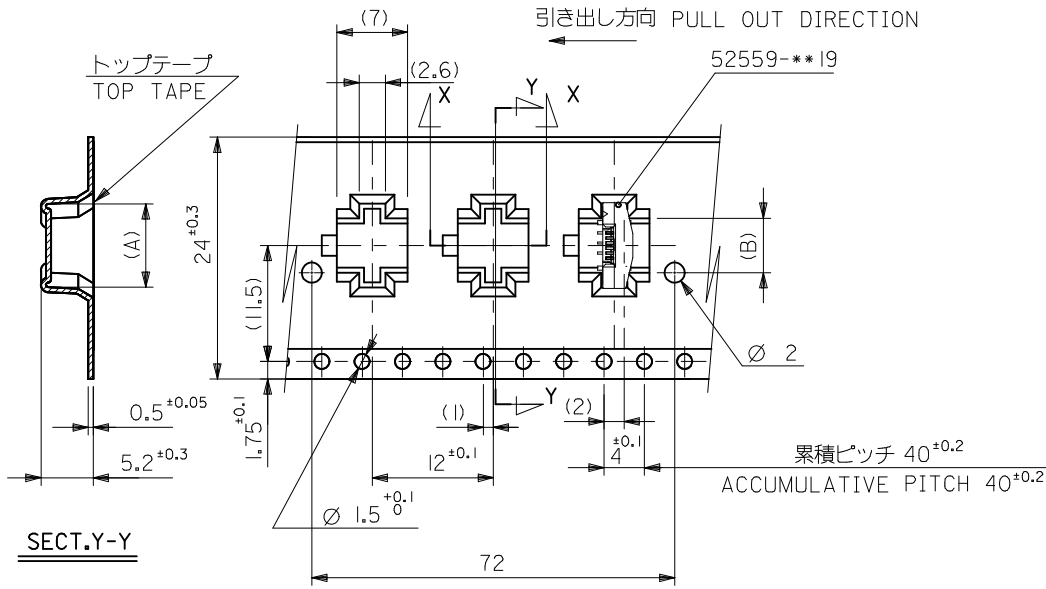
- 材料
 キャリアテープ:ポリプロピレン (PP)
 トップテープ:PET, PE, PEF
 リール:ポリスチレン (PS) <リサイクル材を含む>

MATERIAL CARRIER TAPE:POLYPROPYLENE
 TOP TAPE:PET,PE,PEF
 REEL:POLYSTYREN(PS)
 <RECYCLE MATERIAL CONTAINED>

- 本製品は 52559-**92の鉛フリー品である。
 THIS PRODUCT IS LEAD FREE OF 52559-**92
- 本製品は乾燥剤入り、ハイバリア梱包仕様である。
 THIS PRODUCT IS HIGH BARRIER PACKAGE WITH DESICCANT.

52559-**72
 MODEL NO.

REVISED EC NO: J2009-2061 DRWN:TKON 2009/05/20 CHKD:HATSUMOTO 2009/05/21 APPR:NIKIITA 2009/05/21	GENERAL TOLERANCES (UNLESS SPECIFIED)		DIMENSION STYLE MM ONLY	SCALE ---	DESIGN UNITS METRIC	THIRD ANGLE PROJECTION
	10 UNDER	±0.2	DRAWN BY DATE H. SHIMABUKUR 2004/01/07	TITLE 0.5 FPC CONN ASSY ZIF SMT ST EMBSTP PKG -LEAD FREE-		
	10 OVER 30 UNDER	±0.25	CHECKED BY DATE K. TOJO 2004/01/07	MOLEX INCORPORATED		
	30 OVER	±0.3	APPROVED BY DATE M. SASAO 2004/01/07	DOCUMENT NO. SD-52559-028		
REV	DESCRIPTION	ANGULAR ±3 °	MATERIAL NO. SEE SHEET 2-4	SHEET NO. 1 OF 4		
DRAFT WHERE APPLICABLE MUST REMAIN WITHIN DIMENSIONS		THIS DRAWING CONTAINS INFORMATION THAT IS PROPRIETARY TO MOLEX INCORPORATED AND SHOULD NOT BE USED WITHOUT WRITTEN PERMISSION				



24mm幅キャリアテープ
24mm WIDTH CARRIER TAPE

累積ピッチ 40^{+0.2}
ACCUMULATIVE PITCH 40^{+0.2}

52559-**72
MODEL NO.

キャリアテープ幅
CARRIER TAPE WIDTH

D

C

(B)

(A)

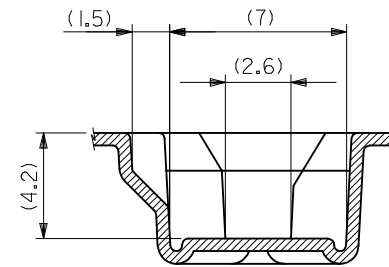
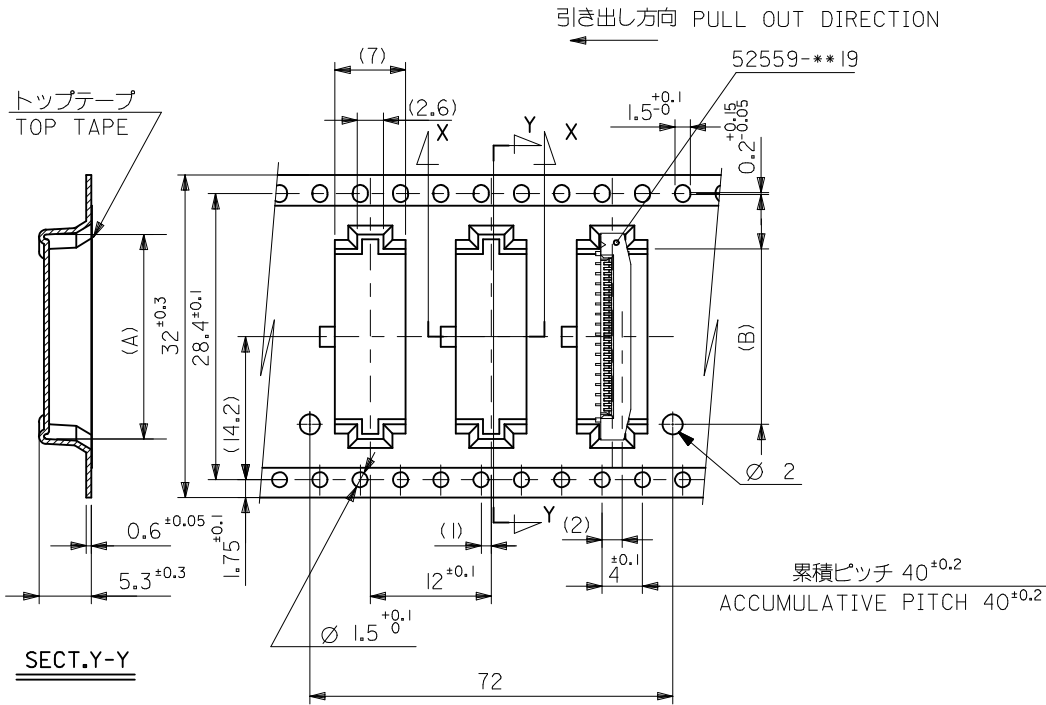
MATERIAL NO.

CIRCUIT NO.

REVISED	EC NO. J2009-2061	2009/05/20	2009/05/20
	DRWN:TKON	2009/05/21	2009/05/21
	CHKD:HATSUMOTO	2009/05/21	2009/05/21
	APPR:NUKITA	2009/05/21	2009/05/21
REV	DESCRIPTION	GENERAL TOLERANCES (UNLESS SPECIFIED)	
		10 UNDER ±0.2	
		10 OVER 30 UNDER ±0.25	
		30 OVER ±0.3	
		ANGULAR ±3 °	
		DRAFT WHERE APPLICABLE MUST REMAIN WITHIN DIMENSIONS	

DIMENSION STYLE		SCALE	DESIGN UNITS	THIRD ANGLE PROJECTION
MM ONLY		---	METRIC	☉
DRAWN BY	DATE	TITLE		
H. SHIMABUKUR	2004/01/07	0.5 FPC CONN ASSY ZIF		
CHECKED BY	DATE	SMT ST EMBSTP PKG		
K. TOJO	2004/01/07	-LEAD FREE-		
APPROVED BY	DATE	MOLEX INCORPORATED		
M. SASAO	2004/01/07	moLEX		
MATERIAL NO.	DOCUMENT NO.	SHEET NO.		
SEE TABLE	SD-52559-028	2 OF 4		
SIZE	THIS DRAWING CONTAINS INFORMATION THAT IS PROPRIETARY TO MOLEX INCORPORATED AND SHOULD NOT BE USED WITHOUT WRITTEN PERMISSION			
A3				

14.4	17.3	52559-2472	24
13.9	16.8	52559-2372	23
12.9	15.8	52559-2172	21
12.4	15.3	52559-2072	20
10.9	13.8	52559-1772	17
10.4	13.3	52559-1672	16
9.9	12.8	52559-1572	15
9.4	12.3	52559-1472	14
8.4	11.3	52559-1272	12
7.4	10.3	52559-1072	10
6.9	9.8	52559-0972	9
5.4	8.3	52559-0672	6



SECT.X-X

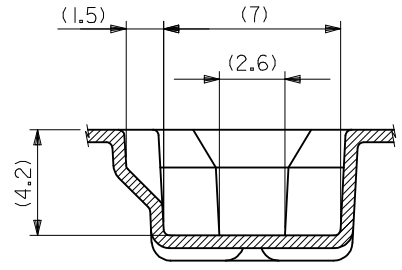
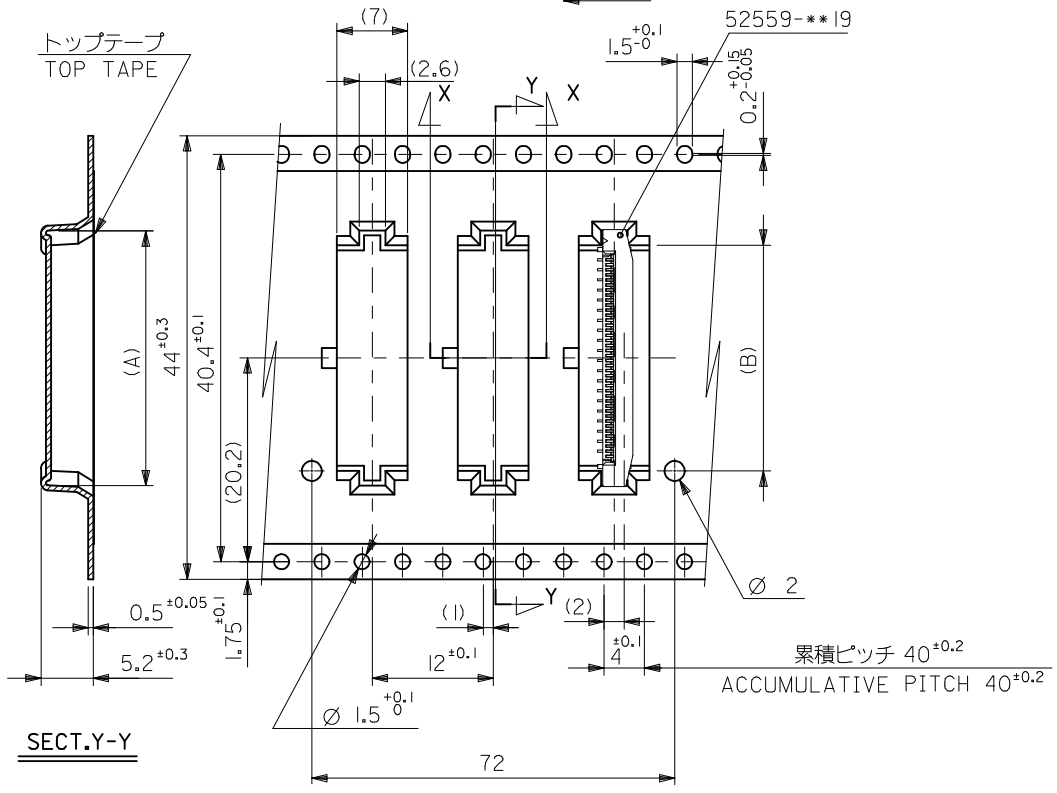
32mm幅キャリアテープ
32mm WIDTH CARRIER TAPE

32	37.4	33.4	18.4	21.3	52559-3272	32	
			17.4	20.3	52559-3072	30	
			16.4	19.3	52559-2872	28	
			15.9	18.8	52559-2772	27	
			15.4	18.3	52559-2672	26	
52559-**72	キャリアテープ幅 CARRIER TAPE WIDTH	D	C	(B)	(A)	MATERIAL NO.	CIRCUIT NO.

REVISED	EC NO. J2009-2061	2009/05/20	2009/05/20
	DRWN:TKGN	2009/05/21	2009/05/21
	CHKD:HMATSUMOTO	2009/05/21	2009/05/21
	APPR:NUKITA	2009/05/21	2009/05/21
	REV	DESCRIPTION	GENERAL TOLERANCES (UNLESS SPECIFIED)
10	UNDER	±0.2	
10	OVER 30 UNDER	±0.25	
30	OVER	±0.3	
	ANGULAR	±3 °	
	DRAFT WHERE APPLICABLE MUST REMAIN WITHIN DIMENSIONS		

DIMENSION STYLE	SCALE	DESIGN UNITS	THIRD ANGLE PROJECTION
MM ONLY	---	METRIC	☑
DRAWN BY	DATE	TITLE	
H. SHIMABUKUR	2004/01/07	0.5 FPC CONN ASSY ZIF SMT ST EMBSTP PKG -LEAD FREE-	
CHECKED BY	DATE	MOLEX INCORPORATED	
K. TOJO	2004/01/07		
APPROVED BY	DATE	DOCUMENT NO.	
M. SASAO	2004/01/07	SD-52559-028	
MATERIAL NO.	SHEET NO.		
SEE TABLE	3 OF 4		
SIZE	THIS DRAWING CONTAINS INFORMATION THAT IS PROPRIETARY TO MOLEX INCORPORATED AND SHOULD NOT BE USED WITHOUT WRITTEN PERMISSION		
A3			

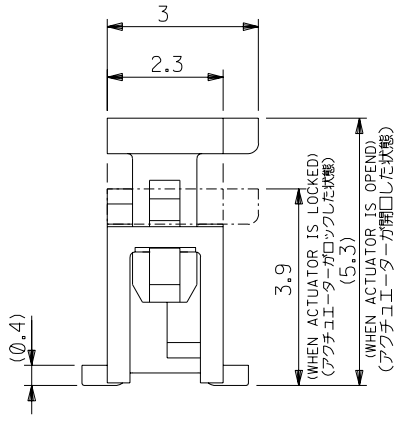
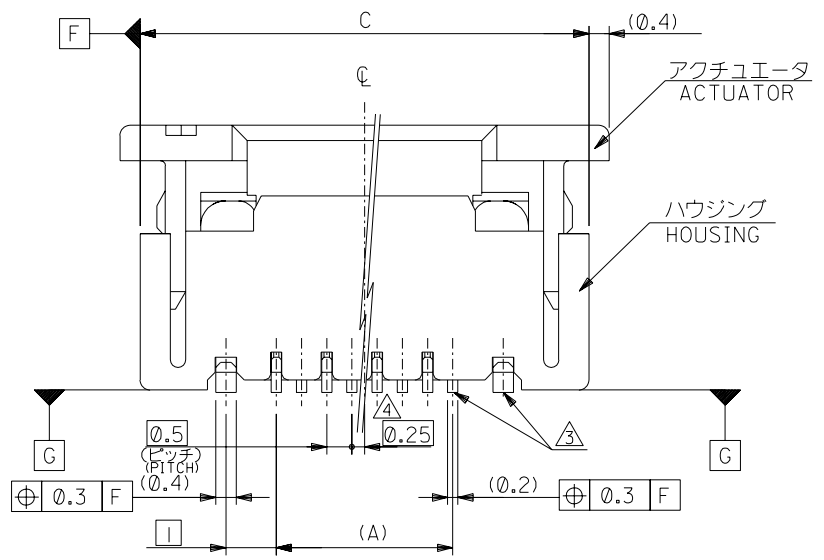
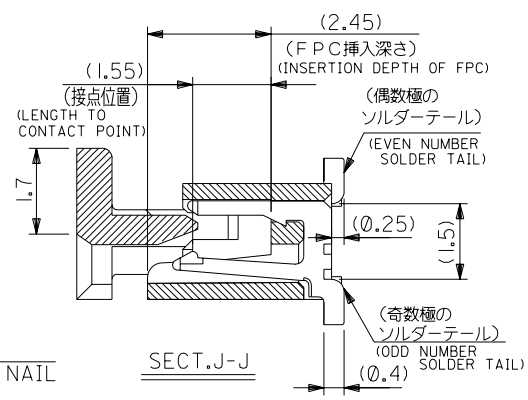
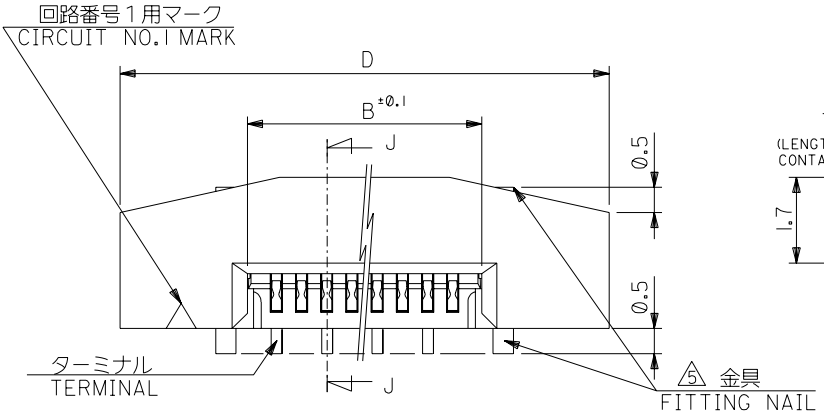
引き出し方向 PULL OUT DIRECTION



SECT.X-X

44mm幅キャリアテープ
44mm WIDTH CARRIER TAPE

REVISED	EC NO. J2009-2061	2009/05/20	2009/05/21	2009/05/21	52559-**72	44	49.4	45.4	22.4	25.3	52559-4072	40
	DRWN:TKON	CHKD:HMATSUMOTO	APPR:NUKITA	MODEL NO.	キャリアテープ幅 CARRIER TAPE WIDTH	D	C	(B)	(A)	(A)	52559-3672	36
DESCRIPTION	GENERAL TOLERANCES (UNLESS SPECIFIED)		DIMENSION STYLE		SCALE		DESIGN UNITS		THIRD ANGLE PROJECTION			
REV	10 UNDER	±0.2	MM ONLY		---		METRIC					
	10 OVER 30 UNDER	±0.25	DRAWN BY DATE		TITLE		0.5 FPC CONN ASSY ZIF SMT ST EMBSTP PKG -LEAD FREE-					
	30 OVER	±0.3	H. SHIMABUKUR 2004/01/07									
	ANGULAR ±3 °		CHECKED BY DATE		MATERIAL NO.		DOCUMENT NO.		MOLEX INCORPORATED			
	DRAFT WHERE APPLICABLE MUST REMAIN WITHIN DIMENSIONS		K. TOJO 2004/01/07		SEE TABLE		SD-52559-028					
			APPROVED BY DATE		SIZE		THIS DRAWING CONTAINS INFORMATION THAT IS PROPRIETARY TO MOLEX INCORPORATED AND SHOULD NOT BE USED WITHOUT WRITTEN PERMISSION					
			M. SASAO 2004/01/07		A3							
			MATERIAL NO.		SHEET NO.							
			SEE TABLE		4 OF 4							



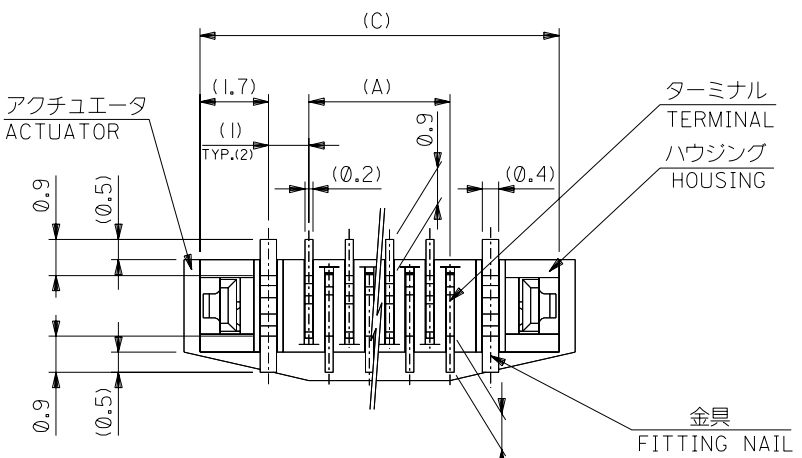
注記 NOTES

- 使用材料 : MATERIAL
 ハウジング :46NYLON UL94V-0
 HOUSING
 アクチュエータ :PPS UL94V-0
 ACTUATOR
 ターミナル :リン青銅 (t=0.2)
 TERMINAL PHOS-BRO
 :錫ビスマスメッキ 1.0マイクロメートル以上
 TIN-BISMUTH 1.0 MICROMETER MINIMUM
 :ニッケル下地 1.0マイクロメートル以上
 NICKEL(UNDER PLATING) 1.0 MICROMETER MINIMUM
 金具 :リン青銅 (t=0.4)
 FITTING NAIL PHOS-BRO
 :錫メッキ 1.0マイクロメートル以上
 TIN 1.0 MICROMETER MINIMUM
 :ニッケル下地 1.0マイクロメートル以上
 NICKEL(UNDER PLATING) 1.0 MICROMETER MINIMUM
- エンボスステップ梱包時は、アクチュエータがロックした状態とする。
 IN THE PACKAGE,ACTUATOR OF PART NO.52559-019 SHOULD BE LOCKED.
 △ソルダーテール半田付け面のズレ量、及び金具半田付け面のズレ量は、基準面 G に対し上方向 0.05 MAX. , 下方向 0.15 MAX. とする。
 MISALIGNMENT OF SOLDER TAILS AND FITTING NAILS FROM UPPER DIRECTION: 0.05 MAX. , LOWER DIRECTION: 0.15 MAX.
 △偶数種に適用。
 APPLY FOR EVEN CIRCUIT.
 △パターンはくり止め用金具。
 FITTING NAIL FOR PREVENTION OF PEELING OF P.C.B. PATTERN.
 △R0.3は、FPCの導体部にかからないこと。
 R0.3 MUST NOT BE OVERLAPPED TO PATTERN OF FPC.
 7.本製品は 52559-019 の鉛フリー品である。
 THIS PRODUCT IS LEAD FREE OF 52559-019

DO NOT SCALE DRAWING

64NO. DRWN: CH'K: APPR: 63NO. DRWN: CH'K: APPR: 62NO. DRWN: CH'K: APPR:		REVISED 61NO. J2004-3551 DRWN: H. KAWABATA 04/04/05 CH'K: K. TOJO 04/04/05 APPR: H. Sasaki 04/04/05		RELEASED 60NO. J2004-1818 DRWN: H. SHIMABUKURO 04/01/07 CH'K: K. TOJO 04/01/07 APPR: H. Sasaki 04/01/07		MATERIAL 材料 注記参照 SEE NOTES		GENERAL TOLERANCES: (UNLESS SPECIFIED) 一般公差 10 UNDER 未満 ±0.2 10 OVER 以上 30 UNDER 未満 ±0.25 30 OVER 以上 ±0.3 ANGLE 角度 ±3°		SCALE 縮尺 DESIGN UNITS 設計単位 20° 2ND ANGLE PROJECTION DIMENSIONS: 寸法 mm INCH mm ONLY SHT 1 OF 2 REV 2 CAD ONLY		TITLE: 0.5 FPC Conn. Assy ZIF. -LEAD FREE- MOLEX MOLEX INCORPORATED		CAD FILENAME SD-52559-045.S01 MATERIAL NO. SEE CHART DRAWING NO. SD-52559-045 SHEET NO. 1 OF 2		7888 DRAWING CONTAINS INFORMATION THAT IS PROPRIETARY TO MOLEX INCORPORATED AND SHOULD NOT BE USED WITHOUT WRITTEN PERMISSION.		SIZE B	
---	--	---	--	---	--	----------------------------------	--	--	--	---	--	--	--	---	--	--	--	--------	--

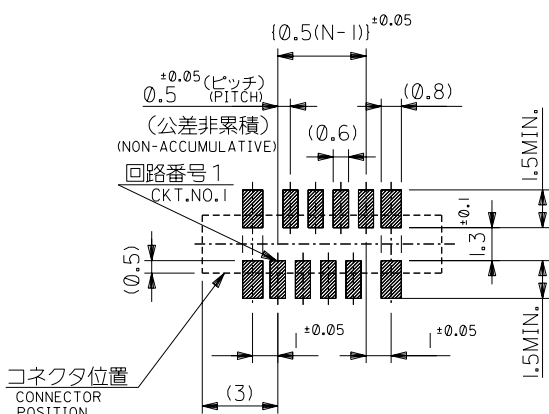
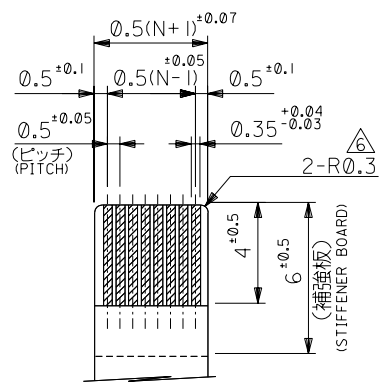
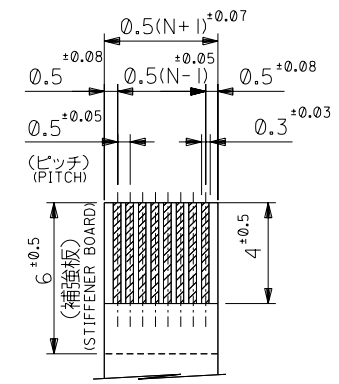
DWG. NO. SD-52559-045



FPCについて：
 打抜き方向は導体側から補強板側を推奨致します。
 補強フィルム材質はポリイミドを推奨致します。
 接着剤は熱硬化接着剤を推奨致します。

ABOUT FPC :
 RECOMMENDED PUNCHER DIRECTION : FROM CONDUCTOR SIDE TO STIFFENER BOARD SIDE.
 RECOMMENDED MATERIAL :
 STIFFENER FILM : POLYIMIDE
 BONDING AGENT : THERMOSETTING BONDING AGENT

下面図
 BOTTOM VIEW



適合FPC推奨寸法
 APPLICABLE FPC
 RECOMMENDED DIMENSION.
 (仕上がり厚さ: 0.3±0.05)
 (THICKNESS: 0.3±0.05)

適合FPC推奨寸法
 APPLICABLE FPC
 RECOMMENDED DIMENSION.
 (仕上がり厚さ: 0.3±0.05)
 (THICKNESS: 0.3±0.05)

コネクタ位置
 CONNECTOR POSITION
 参考基板レイアウト
 (マウント面)
 RECOMMENDED P.C. BOARD
 PATTERN DIMENSION (REF.)
 (MOUNTING SIDE)

25.7	24.9	20.65	19.5	52559-40	19	40
23.7	22.9	18.65	17.5		-36	36
22.2	21.4	17.15	16.0		-33	33
21.7	20.9	16.65	15.5		-32	32
21.2	20.4	16.15	15.0		-31	31
20.7	19.9	15.65	14.5		-30	30
20.2	19.4	15.15	14.0		-29	29
19.7	18.9	14.65	13.5		-28	28
19.2	18.4	14.15	13.0		-27	27
18.7	17.9	13.65	12.5		-26	26
18.2	17.4	13.15	12.0		-25	25
17.7	16.9	12.65	11.5		-24	24
17.2	16.4	12.15	11.0		-23	23
16.7	15.9	11.65	10.5		-22	22
16.2	15.4	11.15	10.0		-21	21
15.7	14.9	10.65	9.5		-20	20
15.2	14.4	10.15	9.0		-19	19
14.7	13.9	9.65	8.5		-18	18
14.2	13.4	9.15	8.0		-17	17
13.7	12.9	8.65	7.5		-16	16
13.2	12.4	8.15	7.0		-15	15
12.7	11.9	7.65	6.5		-14	14
12.2	11.4	7.15	6.0		-13	13
11.7	10.9	6.65	5.5		-12	12
11.2	10.4	6.15	5.0		-11	11
10.7	9.9	5.65	4.5		-10	10
10.2	9.4	5.15	4.0		-09	9
9.7	8.9	4.65	3.5		-08	8
8.7	7.9	3.65	2.5	52559-06	19	6
D	C	B	(A)	MATERIAL NO.	極数	

DO NOT SCALE DRAWING

図番NO. DRWN: CH'K: APPR:	図番NO. DRWN: CH'K: APPR:	図番NO. DRWN: CH'K: APPR:	REVISED 図番NO. J2004-3551 DRWN: H.KAWABATA '04/04/05 CH'K: K.TOJO '04/04/05 APPR: H. Saito '04/04/05	RELEASED 図番NO. J2004-1818 DRWN: H.SHIMABUKURO '04/01/07 CH'K: K.TOJO '04/01/07 APPR: H. Saito '04/01/07	MATERIAL 材料 注記参照 SEE NOTES	GENERAL TOLERANCES: (UNLESS SPECIFIED) 一般公差 10 UNDER 未滿 ±0.2 10 OVER 以上 30 UNDER 未滿 ±0.25 30 OVER 以上 ±0.3	SCALE 1:1 DESIGN UNITS <input checked="" type="checkbox"/> mm <input type="checkbox"/> INCH PROJECTION <input checked="" type="checkbox"/> 1st ANGLE <input type="checkbox"/> 3rd ANGLE	MODEL NO. 52559-***19 DIMENSIONS: <input type="checkbox"/> mm <input type="checkbox"/> INCH <input checked="" type="checkbox"/> mm ONLY SHT 2 OF 2 REV
			WIRE RANGE 適用 適用範囲 INS. RANGE 被覆 外径	DESCRIPTION 0.5 FPC Conn. Assy ZIF. -LEAD FREE-	DRAWN BY & DATE H.SHIMABUKURO '04/01/07 CHECKED BY & DATE K.TOJO '04/01/07 APPROVED BY & DATE H. Saito '04/01/07	TITLE: 0.5 FPC Conn. Assy ZIF. -LEAD FREE- MOLEX MOLEX INCORPORATED		
CAD FILENAME SD-52559-045.S02		MATERIAL NO. SEE CHART	DRAWING NO. SD-52559-045	SHEET NO. 2 OF 2	THIS DRAWING CONTAINS INFORMATION THAT IS PROPRIETARY TO MOLEX INCORPORATED AND SHOULD NOT BE USED WITHOUT WRITTEN PERMISSION.		SIZE B	

SD-52559-045.S02