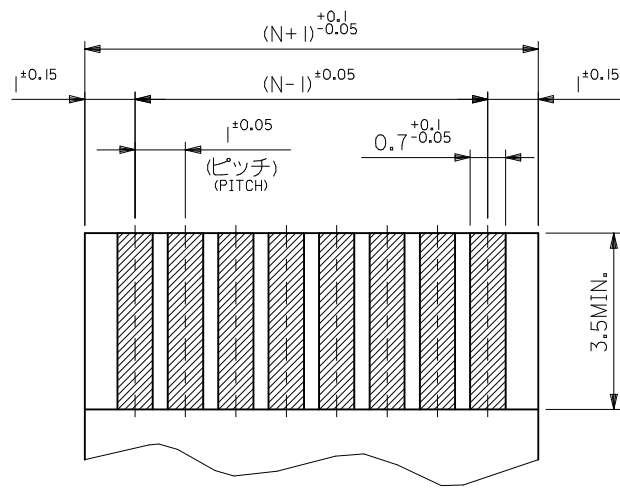


|    |       |       |            |              |               |
|----|-------|-------|------------|--------------|---------------|
| 6  | 33    | 31.05 | 29         | 52808-3029   | 30            |
|    | 32    | 30.05 | 28         | -2929        | 29            |
|    | 31    | 29.05 | 27         | -2829        | 28            |
|    | 30    | 28.05 | 26         | -2729        | 27            |
|    | 29    | 27.05 | 25         | -2629        | 26            |
|    | 28    | 26.05 | 24         | -2529        | 25            |
|    | 27    | 25.05 | 23         | -2429        | 24            |
|    | 26    | 24.05 | 22         | -2329        | 23            |
|    | 25    | 23.05 | 21         | -2229        | 22            |
|    | 24    | 22.05 | 20         | -2129        | 21            |
|    | 23    | 21.05 | 19         | -2029        | 20            |
|    | 22    | 20.05 | 18         | -1929        | 19            |
|    | 21    | 19.05 | 17         | -1829        | 18            |
|    | 20    | 18.05 | 16         | -1729        | 17            |
|    | 19    | 17.05 | 15         | -1629        | 16            |
|    | 18    | 16.05 | 14         | -1529        | 15            |
|    | 17    | 15.05 | 13         | -1429        | 14            |
|    | 16    | 14.05 | 12         | -1329        | 13            |
|    | 15    | 13.05 | 11         | -1229        | 12            |
|    | 14    | 12.05 | 10         | -1129        | 11            |
| 13 | 11.05 | 9     | -1029      | 10           |               |
| 12 | 10.05 | 8     | -0929      | 9            |               |
| 11 | 9.05  | 7     | -0829      | 8            |               |
| 10 | 8.05  | 6     | -0729      | 7            |               |
| 9  | 7.05  | 5     | -0629      | 6            |               |
| 8  | 6.05  | 4     | -0529      | 5            |               |
| 7  | 5.05  | 3     | 52808-0429 | 4            |               |
| 4  |       |       |            |              |               |
| G  | C     | B     | A          | MATERIAL NO. | 極数<br>CIRCUIT |

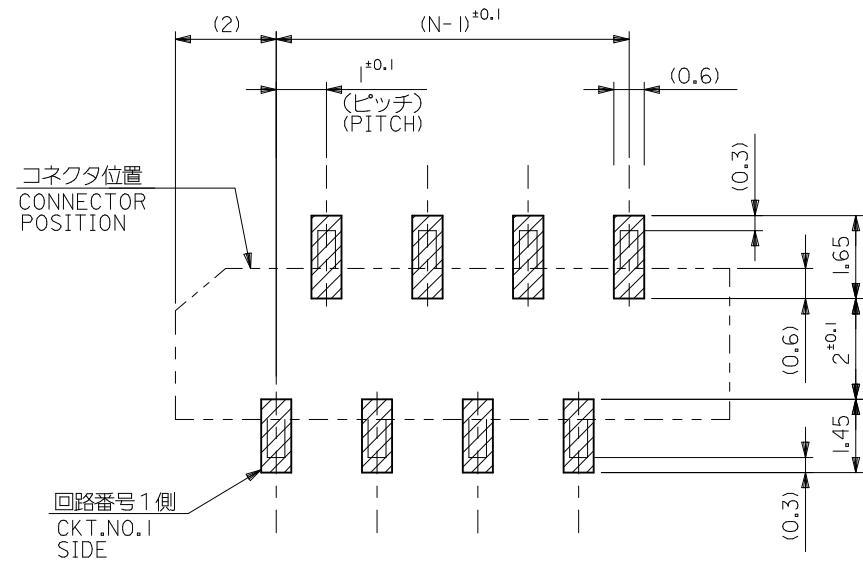
注記 NOTES:  
 1. 使用材料 MATERIAL  
 ハウジング: PPS, UL94V-0      HOUSING :PPS, UL94V-0  
 ターミナル: リン青銅      TERMINAL :PHOSPHOR BRONZE  
 メッキ: ニッケル下地 鍍ビスマスマッキ PLATING :TIN-BISMUTH OVER NICKEL PLATING  
 テープ: ポリイミド (t=50µm)      TAPE :PI (t=50µm)

△基準面 (E) からのソルダーテールの半田付け面のスレ量は、  
 上方向に0.1MAX. 下方向0.15MAX. とする。  
 MISALIGNMENT OF SOLDER TAIL FROM (E)  
 : UPPER DIRECTION 0.1MAX. , LOWER DIRECTION 0.15 MAX.  
 △偶数極に適用。  
 APPLY FOR EVEN CKT.  
 4. 本製品は 52808-\*\*20 の鉛フリー品である。  
 THIS PRODUCT IS LEAD FREE OF 52808-\*\*20.  
 FFCについて:  
 打抜き方向は導体側から補強板を推奨致します。  
 補強フィルム材質はポリイミドを推奨致します。  
 接着剤は熱硬化接着剤を推奨致します。  
 ABOUT FFC:  
 RECOMMENDED PUNCHER DIRECTION : FROM CONDUCTOR SIDE TO STIFFENER BOARD SIDE.  
 RECOMMENDED MATERIAL :  
 STIFFENER FILM : POLYIMIDE  
 BONDING AGENT : THERMOSETTING BONDING AGENT

|   |                                       |           |  |                       |   |   |                        |
|---|---------------------------------------|-----------|--|-----------------------|---|---|------------------------|
| REVISED<br>EC NO: J2015-0830<br>DRWN:NASANUMA 2014/12/19<br>CHKD:KAKAHASHI 2015/02/06<br>APPR: YNOGAWA 2015/02/23 | GENERAL TOLERANCES (UNLESS SPECIFIED) |           | DIMENSION STYLE<br>MM ONLY                           |                       | SCALE<br>10:1   | DESIGN UNITS<br>METRIC  | THIRD ANGLE PROJECTION |
|   | 0.25 UNDER                            | UNDER     | ±0.03  | DRAWN BY<br>MNINOMIYA | DATE<br>2004/02/09  | TITLE<br>1.0 FFC CONN. NON ZIF<br>SMT ST (WITH TAPE)<br>-LEAD FREE- |                        |
|   | 0.25 OVER                             | 0.5 UNDER | ±0.05  | CHECKED BY<br>KTOJO   | DATE<br>2004/02/09  |   |                        |
|   | 0.5 OVER                              | 1.0 UNDER | ±0.1   | APPROVED BY<br>MSASAO | DATE<br>2004/02/09  |   |                        |
|   | 1.0 OVER                              | 10 UNDER  | ±0.2   | MATERIAL NO.          | DOCUMENT NO.<br>SD-52808-025  | SHEET NO.<br>1 OF 2   | SEE CHART              |
| 10 OVER   | 30 UNDER                              | ±0.25     | DRAFT WHERE APPLICABLE MUST REMAIN WITHIN DIMENSIONS |                       | THIS DRAWING CONTAINS INFORMATION THAT IS PROPRIETARY TO MOLEX INCORPORATED AND SHOULD NOT BE USED WITHOUT WRITTEN PERMISSION |   |                        |



(仕上がり厚さ0.3<sup>+0.03</sup>)  
THICKNESS  
適合FPC/FFC推奨寸法  
APPLICABLE FPC/FFC  
RECOMMENDED DIMENSION.

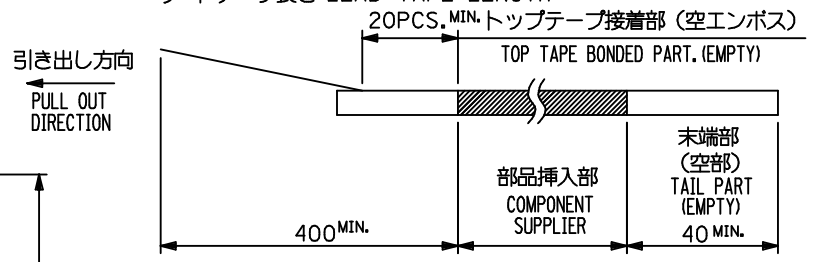


参考基板レイアウト (マウント面)  
RECOMMENDED P.C.BOARD  
PATTERN DIMENSION. (REF.)  
(MOUNTING AREA)

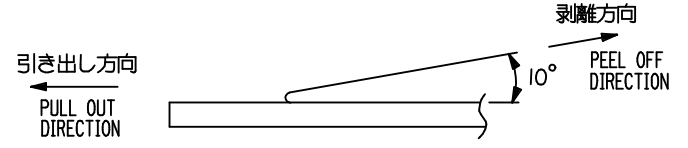
|   |                                       |           |              |                            |   |  |                        |                        |
|---|---------------------------------------|-----------|--------------|----------------------------|---|--|------------------------|------------------------|
| SEE SHEET 1 OF 2<br>EC NO.: J2015-0830<br>DRWN: SANUMA 2014/12/19<br>CHKD: TAKAHASHI 2015/02/06<br>APPR: YNOGAWA 2015/02/23 | GENERAL TOLERANCES (UNLESS SPECIFIED) |           |              | DIMENSION STYLE<br>MM ONLY |   | SCALE<br>10:1  | DESIGN UNITS<br>METRIC | THIRD ANGLE PROJECTION |
|   | 0.25 UNDER                            | UNDER     | ±0.03        | DRAWN BY                   | DATE  | TITLE  |                        |                        |
|   | 0.25 OVER                             | 0.5 UNDER | ±0.05        | MNINOMIYA                  | 2004/02/09  | 1.0 FFC CONN. NON ZIF<br>SMT ST (WITH TAPE)<br>-LEAD FREE- |                        |                        |
|   | 0.5 OVER                              | 1.0 UNDER | ±0.1         | CHECKED BY                 | DATE  | molex  |                        |                        |
|   | 1.0 OVER                              | 10 UNDER  | ±0.2         | KTOJO                      | 2004/02/09  |  |                        |                        |
| 10 OVER   | 30 UNDER                              | ±0.25     | APPROVED BY  | DATE                       | DOCUMENT NO.  |  |                        |                        |
| 30 OVER   |                                       | ±0.3      | MSASAO       | 2004/02/09                 | SD-52808-025  |  |                        |                        |
| ANGULAR   | ±3 °                                  |           | MATERIAL NO. |                            | SHEET NO.   |  |                        |                        |
| DRAFT WHERE APPLICABLE MUST REMAIN WITHIN DIMENSIONS  |                                       |           | SIZE<br>A3   |                            | THIS DRAWING CONTAINS INFORMATION THAT IS PROPRIETARY TO MOLEX INCORPORATED AND SHOULD NOT BE USED WITHOUT WRITTEN PERMISSION |  |                        |                        |

NOTES

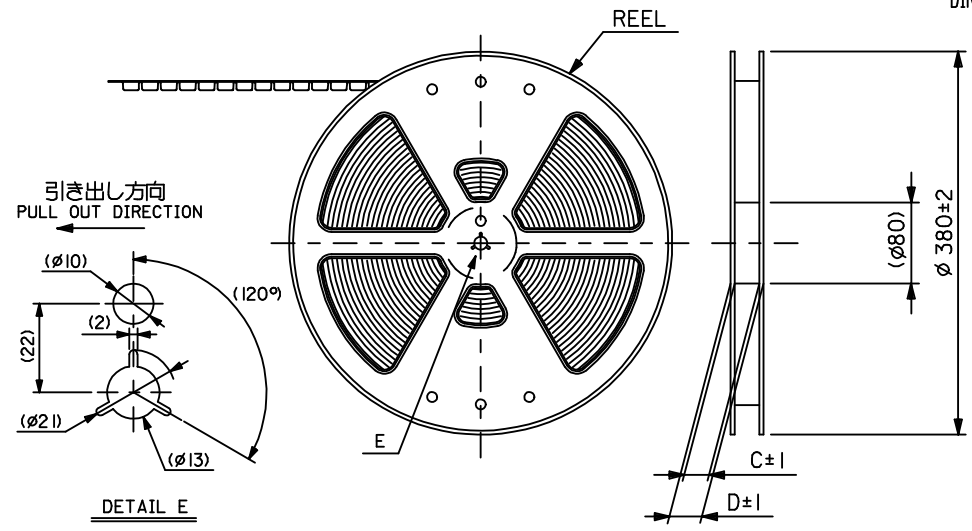
- 製品詳細寸法については図面 SD-52808-025 を参照下さい。  
RE DETAILED DIMENSION, SEE SD-52808-025.
- 梱包数量：1000個/リール  
NUMBER OF CONNECTORS : 1000PCS/REEL
- リードテープ長さ LEAD TAPE LENGTH



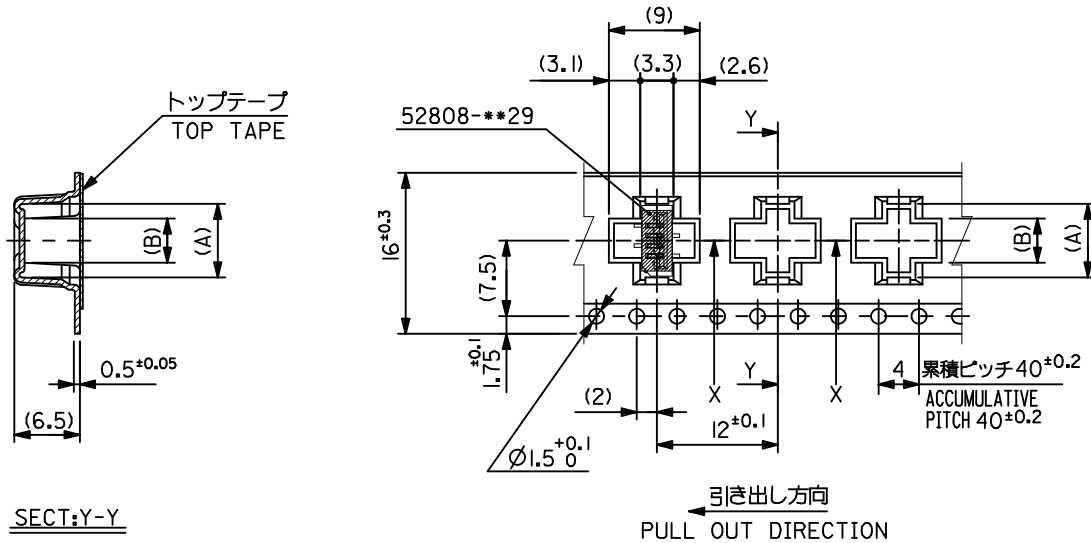
- トップテープの剥離強度：0.1N ~ 1.3N(10gf ~ 130gf)  
(剥離方向は下図参照)  
尚、本規格値は出荷時に適用。(但し、輸送時に剥離が発生しないこと。)  
PEELING OFF FORCE OF TOP TAPE : 0.1N ~ 1.3N(10gf ~ 130gf)  
(PEELING DIRECTION AS SHOWN IN FOLLOWING FIG.)  
THIS REQUIREMENT SHOULD BE APPLIED AT SHIPMENT.  
PEEL OFF SHOULD NOT BE ALLOWED , DURING TRANSPORTATION.



- 材料 (MATERIAL)  
キャリアテープ (CARRIER TAPE) : ポリプロピレン (POLYPROPYLENE)  
トップテープ (TOPTAPE) : PET , PE , PEF  
リール (REEL) : ポリスチレン (PS) <リサイクル材を含む>  
POLYSTYRENE (PS) <RECYCLE MATERIAL CONTAINED>
- MXI 製造製品は紙リールを使用すること。  
ONLY MXI PRODUCT ITEM SHOULD USE CARD BOARD REEL.
- 本製品は 52808-\*\*\*9I の鉛フリー品である。  
THIS PRODUCT IS LEAD FREE OF 52808-\*\*\*9I.



|   |  |                                       |  |   |  |   |              |                        |  |
|---|--|---------------------------------------|--|---|--|---|--------------|------------------------|--|
| REVISED<br>EC NO: J2015-0830<br>DRWN: SANUMA 2014/12/18<br>CHKD: TAKAHASHI 2015/02/06<br>APPR: YNOGAWA 2015/02/23 |  | GENERAL TOLERANCES (UNLESS SPECIFIED) |  | DIMENSION STYLE   |  | SCALE   | DESIGN UNITS | THIRD ANGLE PROJECTION |  |
|   |  | 0.25 UNDER UNDER ±0.03                |  | MM ONLY   |  | ---   | METRIC       | ◎ □                    |  |
| DESCRIPTION<br>REV C  |  | 0.25 OVER 0.5 UNDER ±0.05             |  | DRAWN BY DATE   |  | TITLE<br>1.0 FFC CONN NON ZIF SMT<br>ST WITH TAPE EMBSTP PKG<br>-LEAD FREE- |              |                        |  |
|   |  | 0.5 OVER 1.0 UNDER ±0.1               |  | MNINOMIYA 2004/02/09  |  |   |              |                        |  |
|   |  | 1.0 OVER 10 UNDER ±---                |  | CHECKED BY DATE   |  |   |              |                        |  |
|   |  | 10 OVER 30 UNDER ±---                 |  | KTOJO 2004/02/09  |  |   |              |                        |  |
|   |  | 30 OVER ±---                          |  | APPROVED BY DATE  |  |   |              |                        |  |
| ANGULAR ±--- °  |  | MATERIAL NO.                          |  | DOCUMENT NO.  |  | SHEET NO.   |              |                        |  |
| DRAFT WHERE APPLICABLE MUST REMAIN WITHIN DIMENSIONS  |  | SEE CHART                             |  | SD-52808-026  |  | 1 OF 6  |              |                        |  |
|   |  | SIZE A3                               |  | THIS DRAWING CONTAINS INFORMATION THAT IS PROPRIETARY TO MOLEX INCORPORATED AND SHOULD NOT BE USED WITHOUT WRITTEN PERMISSION |  |   |              |                        |  |



SECT:Y-Y

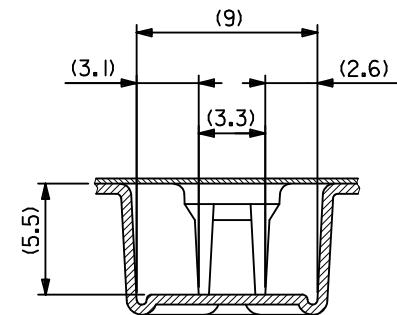
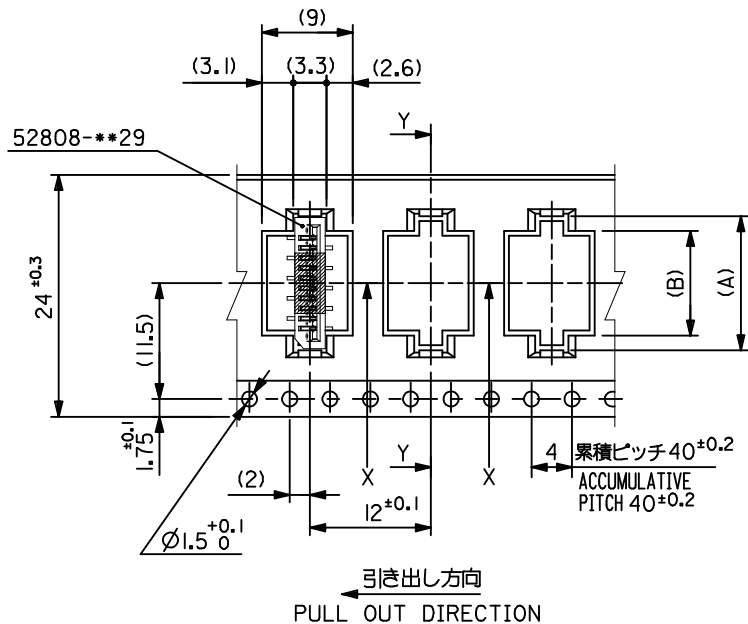
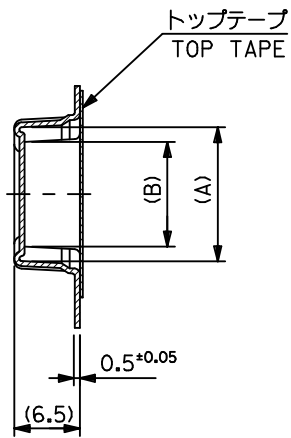
SECT:X-X

引き出し方向  
PULL OUT DIRECTION

16mm幅キャリアテープ  
16mm WIDTH CARRIER TAPE

|                                |      |      |     |     |              |            |
|--------------------------------|------|------|-----|-----|--------------|------------|
| 16                             | 21.4 | 17.4 | 5.4 | 8.3 | 52808-0571   | 5          |
|                                |      |      | 4.4 | 7.3 | 52808-0471   | 4          |
| キャリアテープ幅<br>CARRIER TAPE WIDTH | D    | C    | (B) | (A) | MATERIAL NO. | 種数<br>CKT. |
| MODEL NO.                      |      |      |     |     | 52808-**-71  |            |

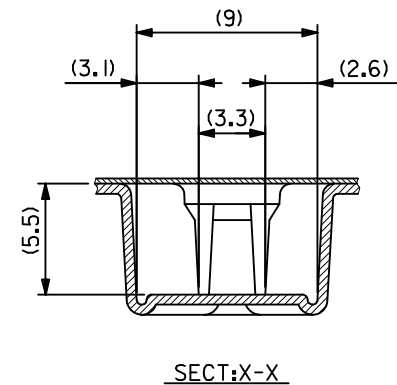
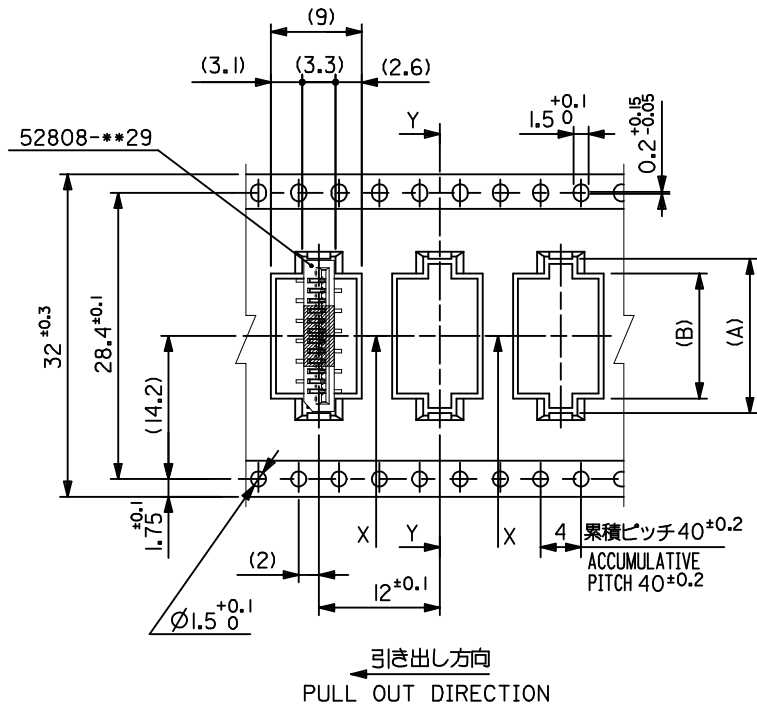
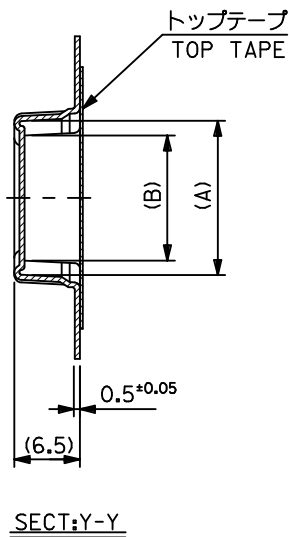
|   |                                       |           |  |                            |              |  |                        |                        |
|---|---------------------------------------|-----------|--|----------------------------|--------------|--|------------------------|------------------------|
| SEE SHEET 1 OF 6<br>EC NO.: J2015-0830<br>DRWN: SANUMA 2014/12/18<br>CHKD: TAKAHASHI 2015/02/06<br>APPR: YNOGAWA 2015/02/23 | GENERAL TOLERANCES (UNLESS SPECIFIED) |           |  | DIMENSION STYLE<br>MM ONLY |              | SCALE<br>---   | DESIGN UNITS<br>METRIC | THIRD ANGLE PROJECTION |
|   | 0.25 UNDER                            | UNDER     | ±0.03  | DRAWN BY                   | DATE         | TITLE  |                        |                        |
|   | 0.25 OVER                             | 0.5 UNDER | ±0.05  | MNINOMIYA                  | 2004/02/09   | 1.0 FFC CONN NON ZIF SMT<br>ST WITH TAPE EMBSTP PKG<br>-LEAD FREE- |                        |                        |
|   | 0.5 OVER                              | 1.0 UNDER | ±0.1   | CHECKED BY                 | DATE         | <b>molex</b>   |                        |                        |
|   | 1.0 OVER                              | 10 UNDER  | ±---   | KTOJO                      | 2004/02/09   |  |                        |                        |
| 10 OVER   | 30 UNDER                              | ±---      | APPROVED BY  | DATE                       | MATERIAL NO. | DOCUMENT NO.   | SHEET NO.              |                        |
| 30 OVER   |                                       | ±---      |  |                            | SEE CHART    | SD-52808-026   | 2 OF 6                 |                        |
| ANGULAR   | ±---                                  | °         | THIS DRAWING CONTAINS INFORMATION THAT IS PROPRIETARY TO MOLEX<br>INCORPORATED AND SHOULD NOT BE USED WITHOUT WRITTEN PERMISSION |                            |              |  |                        |                        |
| DRAFT WHERE APPLICABLE MUST REMAIN WITHIN DIMENSIONS  |                                       |           |  |                            |              |  |                        |                        |



24mm幅キャリアテープ  
24mm WIDTH CARRIER TAPE

|                                |      |      |             |      |              |            |
|--------------------------------|------|------|-------------|------|--------------|------------|
| 24                             | 29.4 | 25.4 | 10.4        | 13.3 | 52808-1071   | 10         |
|                                |      |      | 9.4         | 12.3 | 52808-0971   | 9          |
|                                |      |      | 8.4         | 11.3 | 52808-0871   | 8          |
|                                |      |      | 7.4         | 10.3 | 52808-0771   | 7          |
|                                |      |      | 6.4         | 9.3  | 52808-0671   | 6          |
| キャリアテープ幅<br>CARRIER TAPE WIDTH | D    | C    | (B)         | (A)  | MATERIAL NO. | 種数<br>CKT. |
| MODEL NO.                      |      |      | 52808-**-71 |      |              |            |

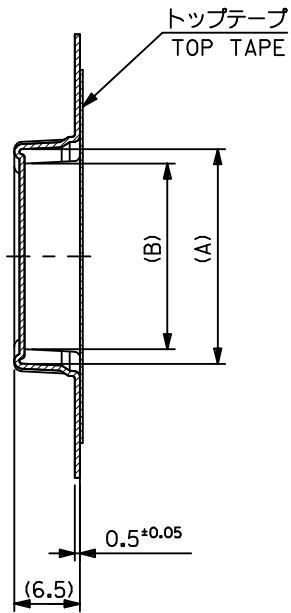
|   |                                       |           |  |                            |            |  |                        |                        |  |
|---|---------------------------------------|-----------|--|----------------------------|------------|--|------------------------|------------------------|--|
| SEE SHEET 1 OF 6<br>EC NO.: J2015-0830<br>DRWN:NASANUMA 2014/12/18<br>CHK'D:KAKAHASHI 2015/02/06<br>APPR:YNOGAWA 2015/02/23 | GENERAL TOLERANCES (UNLESS SPECIFIED) |           |  | DIMENSION STYLE<br>MM ONLY |            | SCALE<br>---   | DESIGN UNITS<br>METRIC | THIRD ANGLE PROJECTION |  |
|   | 0.25 UNDER                            | UNDER     | ± 0.03   | DRAWN BY                   | DATE       | TITLE  |                        |                        |  |
|   | 0.25 OVER                             | 0.5 UNDER | ± 0.05   | MNINOMIYA                  | 2004/02/09 | 1.0 FFC CONN NON ZIF SMT<br>ST WITH TAPE EMBSTP PKG<br>-LEAD FREE- |                        |                        |  |
|   | 0.5 OVER                              | 1.0 UNDER | ± 0.1  | CHECKED BY                 | DATE       | molex  |                        |                        |  |
|   | 1.0 OVER                              | 10 UNDER  | ± ---  | KTOJO                      | 2004/02/09 |  |                        |                        |  |
|   | 10 OVER                               | 30 UNDER  | ± ---  | APPROVED BY                | DATE       | MATERIAL NO.   | DOCUMENT NO.           | SHEET NO.              |  |
| 30 OVER   |                                       | ± ---     |  |                            | SEE CHART  | SD-52808-026   | 3 OF 6                 |                        |  |
| ANGULAR   | ± --- °                               |           | THIS DRAWING CONTAINS INFORMATION THAT IS PROPRIETARY TO MOLEX<br>INCORPORATED AND SHOULD NOT BE USED WITHOUT WRITTEN PERMISSION |                            |            |  |                        |                        |  |
| DRAFT WHERE APPLICABLE MUST REMAIN WITHIN DIMENSIONS  |                                       |           |  |                            |            |  |                        |                        |  |



32mm幅キャリアテープ  
32mm WIDTH CARRIER TAPE

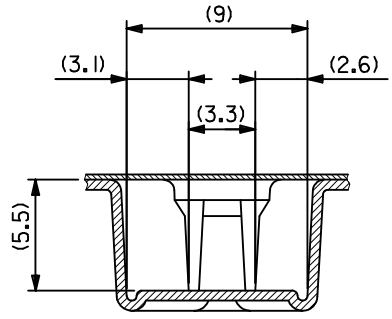
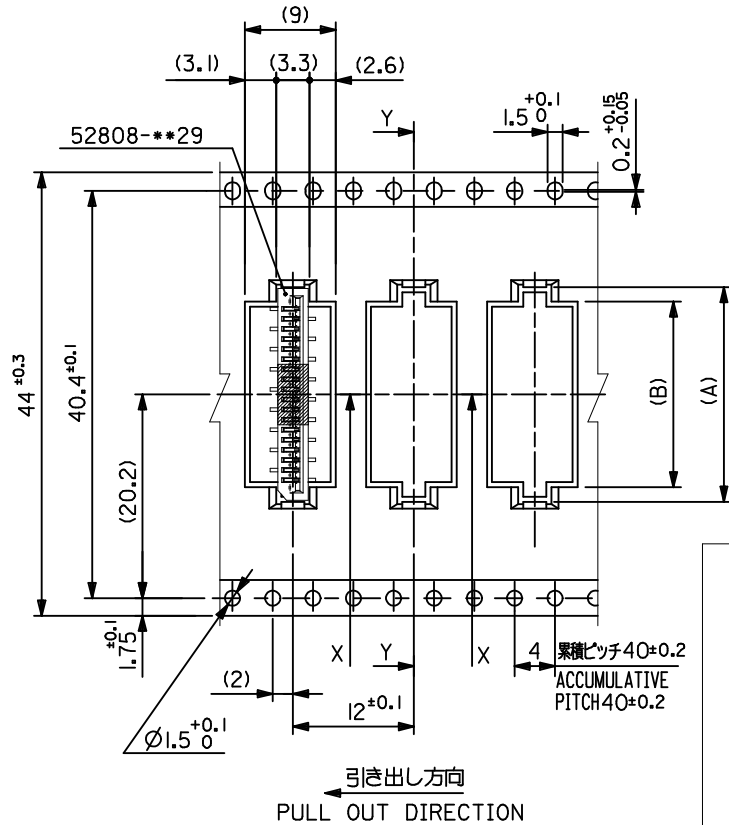
|                                |      |      |             |      |              |            |
|--------------------------------|------|------|-------------|------|--------------|------------|
| 32                             | 37.4 | 33.4 | 15.4        | 18.3 | 52808-1571   | 15         |
|                                |      |      | 14.4        | 17.3 | 52808-1471   | 14         |
|                                |      |      | 13.4        | 16.3 | 52808-1371   | 13         |
|                                |      |      | 12.4        | 15.3 | 52808-1271   | 12         |
|                                |      |      | 11.4        | 14.3 | 52808-1171   | 11         |
| キャリアテープ幅<br>CARRIER TAPE WIDTH | D    | C    | (B)         | (A)  | MATERIAL NO. | 種数<br>CKT. |
| MODEL NO.                      |      |      | 52808-**-71 |      |              |            |

|   |                                       |           |  |                            |            |  |                        |                        |  |
|---|---------------------------------------|-----------|--|----------------------------|------------|--|------------------------|------------------------|--|
| SEE SHEET 1 OF 6<br>EC NO.: J2015-0830<br>DRWN: NAKANUMA 2014/12/18<br>CHKD: TAKAHASHI 2015/02/06<br>APPR: YNOGAWA 2015/02/23 | GENERAL TOLERANCES (UNLESS SPECIFIED) |           |  | DIMENSION STYLE<br>MM ONLY |            | SCALE<br>---   | DESIGN UNITS<br>METRIC | THIRD ANGLE PROJECTION |  |
|   | 0.25 UNDER                            | UNDER     | ±0.03  | DRAWN BY                   | DATE       | TITLE  |                        |                        |  |
|   | 0.25 OVER                             | 0.5 UNDER | ±0.05  | MNINOMIYA                  | 2004/02/09 | 1.0 FFC CONN NON ZIF SMT<br>ST WITH TAPE EMBSTP PKG<br>-LEAD FREE- |                        |                        |  |
|   | 0.5 OVER                              | 1.0 UNDER | ±0.1   | CHECKED BY                 | DATE       | molex  |                        |                        |  |
|   | 1.0 OVER                              | 10 UNDER  | ±---   | KTOJO                      | 2004/02/09 |  |                        |                        |  |
|   | 10 OVER                               | 30 UNDER  | ±---   | APPROVED BY                | DATE       | MATERIAL NO.   | DOCUMENT NO.           | SHEET NO.              |  |
| 30 OVER   |                                       | ±---      |  |                            | SEE CHART  | SD-52808-026   | 4 OF 6                 |                        |  |
| ANGULAR   | ±---                                  | °         | THIS DRAWING CONTAINS INFORMATION THAT IS PROPRIETARY TO MOLEX<br>INCORPORATED AND SHOULD NOT BE USED WITHOUT WRITTEN PERMISSION |                            |            |  |                        |                        |  |
| DRAFT WHERE APPLICABLE MUST REMAIN WITHIN DIMENSIONS  |                                       |           |  |                            |            |  |                        |                        |  |



SECT:Y-Y

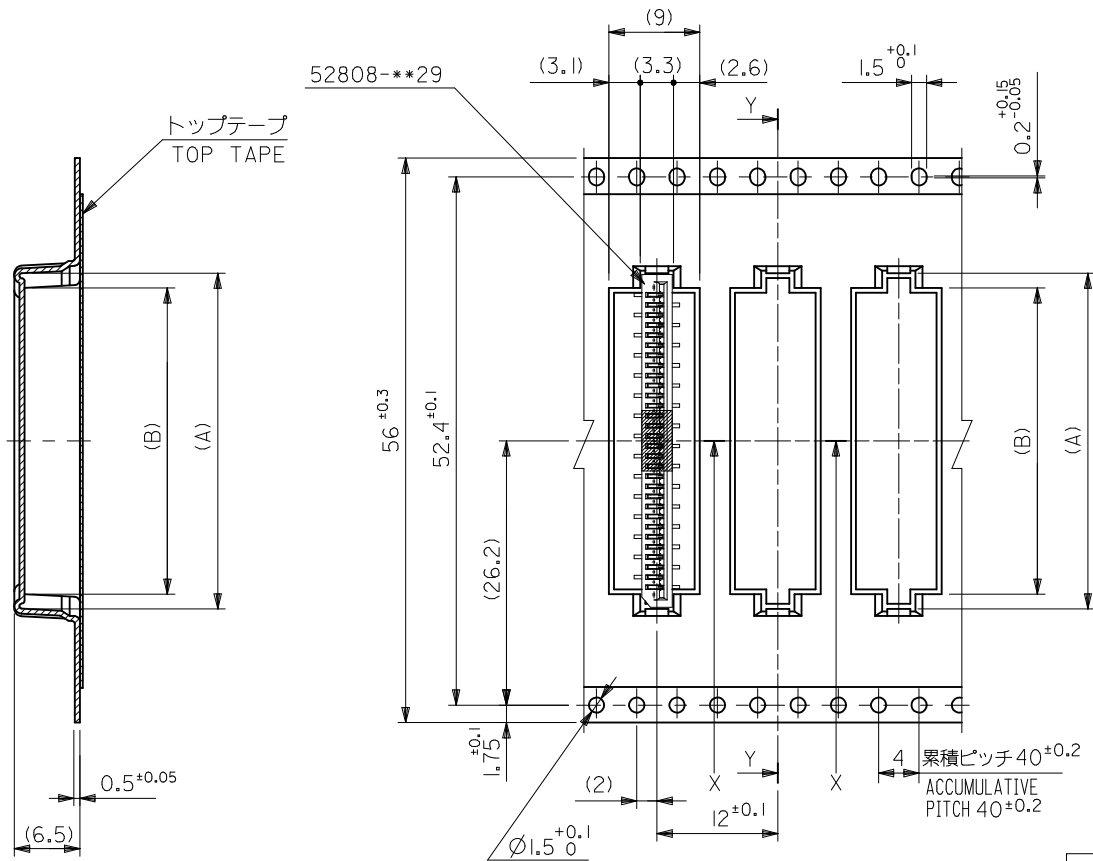
44mm幅キャリアテープ  
44mm WIDTH CARRIER TAPE



SECT:X-X

|                                |      |            |             |      |            |              |            |
|--------------------------------|------|------------|-------------|------|------------|--------------|------------|
| 44                             | 49.4 | 45.4       | 28.4        | 31.3 | 52808-2871 | 28           |            |
|                                |      |            | 27.4        | 30.3 | 52808-2771 | 27           |            |
|                                |      |            | 26.4        | 29.3 | 52808-2671 | 26           |            |
|                                |      |            | 25.4        | 28.3 | 52808-2571 | 25           |            |
|                                |      |            | 24.4        | 27.3 | 52808-2471 | 24           |            |
|                                |      |            | 23.4        | 26.3 | 52808-2371 | 23           |            |
|                                |      |            | 22.4        | 25.3 | 52808-2271 | 22           |            |
|                                |      |            | 21.4        | 24.3 | 52808-2171 | 21           |            |
|                                |      |            | 20.4        | 23.3 | 52808-2071 | 20           |            |
|                                |      |            | 19.4        | 22.3 | 52808-1971 | 19           |            |
|                                |      |            | 18.4        | 21.3 | 52808-1871 | 18           |            |
| 17.4                           | 20.3 | 52808-1771 | 17          |      |            |              |            |
| 16.4                           | 19.3 | 52808-1671 | 16          |      |            |              |            |
| キャリアテープ幅<br>CARRIER TAPE WIDTH |      |            | D           | C    | (B) (A)    | MATERIAL NO. | 種数<br>CKT. |
| MODEL NO.                      |      |            | 52808-***71 |      |            |              |            |

|   |                                       |           |  |                            |              |  |                        |                        |  |
|---|---------------------------------------|-----------|--|----------------------------|--------------|--|------------------------|------------------------|--|
| SEE SHEET 1 OF 6<br>EC NO: J2015-0830<br>DRWN:NASUNUMA 2014/12/18<br>CHKD:KAKAHASHI 2015/02/06<br>APPR:YNOGAWA 2015/02/23     | GENERAL TOLERANCES (UNLESS SPECIFIED) |           |  | DIMENSION STYLE<br>MM ONLY |              | SCALE<br>---   | DESIGN UNITS<br>METRIC | THIRD ANGLE PROJECTION |  |
|   | 0.25 UNDER                            | UNDER     | ±0.03  | DRAWN BY                   | DATE         | TITLE  |                        |                        |  |
|   | 0.25 OVER                             | 0.5 UNDER | ±0.05  | MNINOMIYA                  | 2004/02/09   | 1.0 FFC CONN NON ZIF SMT<br>ST WITH TAPE EMBSTP PKG<br>-LEAD FREE- |                        |                        |  |
|   | 0.5 OVER                              | 1.0 UNDER | ±0.1   | CHECKED BY                 | DATE         | molex  |                        |                        |  |
|   | 1.0 OVER                              | 10 UNDER  | ±---   | KTOJO                      | 2004/02/09   |  |                        |                        |  |
| 10 OVER   | 30 UNDER                              | ±---      | APPROVED BY  | DATE                       | MATERIAL NO. | DOCUMENT NO.   | SHEET NO.              |                        |  |
| 30 OVER   |                                       | ±---      |  |                            | SEE CHART    | SD-52808-026   | 5 OF 6                 |                        |  |
| ANGULAR   | ±---                                  | °         | DRAFT WHERE APPLICABLE MUST REMAIN WITHIN DIMENSIONS |                            |              |  |                        |                        |  |
| THIS DRAWING CONTAINS INFORMATION THAT IS PROPRIETARY TO MOLEX INCORPORATED AND SHOULD NOT BE USED WITHOUT WRITTEN PERMISSION |                                       |           |  |                            |              |  |                        |                        |  |



SECT:Y-Y

引き出し方向  
PULL OUT DIRECTION

56mm幅キャリアテープ  
56mm WIDTH CARRIER TAPE

|                                |      |      |                        |      |            |    |
|--------------------------------|------|------|------------------------|------|------------|----|
| 56                             | 61.4 | 57.4 | 30.4                   | 33.3 | 52808-3071 | 30 |
| キャリアテープ幅<br>CARRIER TAPE WIDTH | D    | C    | (B)                    | (A)  | 52808-2971 | 29 |
| MODEL NO.                      |      |      |                        |      | 52808-**71 |    |
| DESIGN UNITS                   |      |      | THIRD ANGLE PROJECTION |      |            |    |

|   |                                       |           |              |                 |              |            |  |
|---|---------------------------------------|-----------|--------------|-----------------|--------------|------------|--|
| SEE SHEET 1 OF 6<br>EC NO: J2015-0830<br>DRWN:NASUNUMA 2014/12/18<br>CHKD:KAKAHASHI 2015/02/06<br>APPR:YNOGAWA 2015/02/23 | GENERAL TOLERANCES (UNLESS SPECIFIED) |           |              | DIMENSION STYLE |              | SCALE      | DESIGN UNITS   |
|   | 0.25 UNDER                            | UNDER     | ±0.03        | MM ONLY         |              | ---        | METRIC   |
|   | 0.25 OVER                             | 0.5 UNDER | ±0.05        | DRAWN BY        |              | DATE       | TITLE  |
|   | 0.5 OVER                              | 1.0 UNDER | ±0.1         | MNINOMIYA       |              | 2004/02/09 | 1.0 FFC CONN NON ZIF SMT<br>ST WITH TAPE EMBSTP PKG<br>-LEAD FREE- |
|   | 1.0 OVER                              | 10 UNDER  | ±---         | CHECKED BY      |              | DATE       |  |
|   | 10 OVER                               | 30 UNDER  | ±---         | KTOJO           |              | 2004/02/09 | molex  |
| 30 OVER   |                                       | ±---      | APPROVED BY  |                 | DATE         |            |  |
| ANGULAR   | ±---                                  |           | MATERIAL NO. |                 | DOCUMENT NO. | SHEET NO.  |  |
| DRAFT WHERE APPLICABLE MUST REMAIN WITHIN DIMENSIONS  |                                       |           | SEE CHART    |                 | SD-52808-026 | 6 OF 6     |  |

|      |   |  |
|------|---|--|
| SIZE | THIS DRAWING CONTAINS INFORMATION THAT IS PROPRIETARY TO MOLEX INCORPORATED AND SHOULD NOT BE USED WITHOUT WRITTEN PERMISSION |  |
| A3   |   |  |