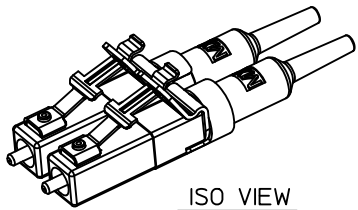
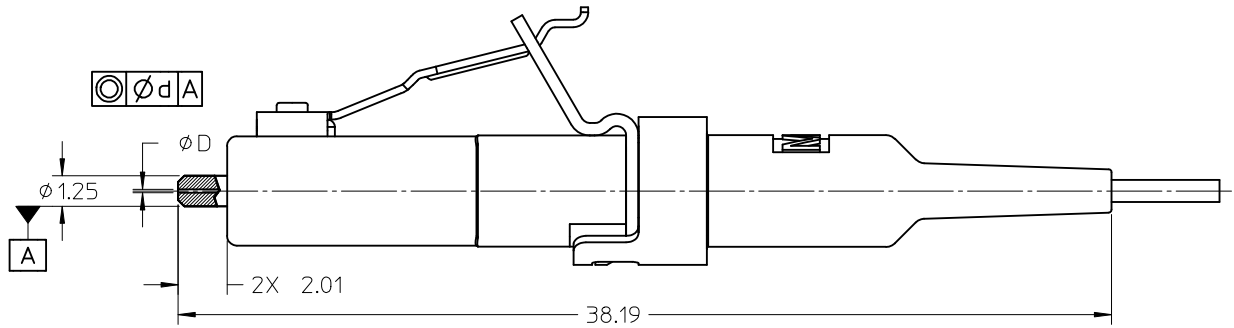
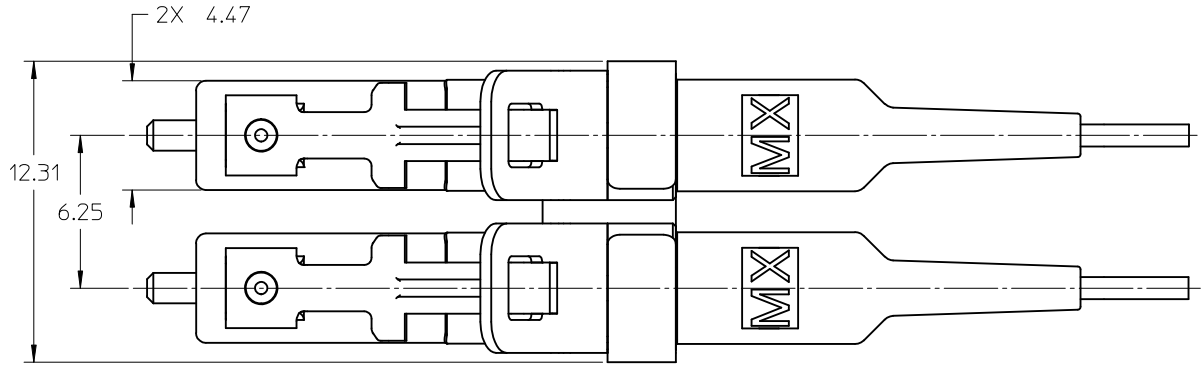
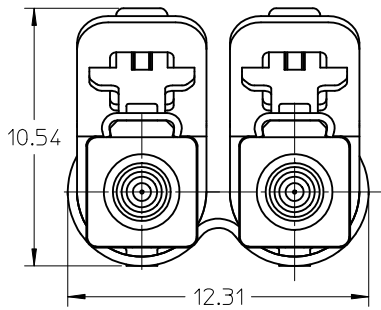


CONNECTOR P/N	∅D (µm)	∅d (µm)	BOOT COLOR	CABLE TYPE
106397-2202	125.50 ^{+0.50} ₀	0.5	BLUE	SM
106397-2402	127.0 ^{+3.00} ₀	3.0	WHITE	MM



ISO VIEW
SCALE 2:1



NOTES:

1. ALL DIMENSIONS ARE FOR REFERENCE ONLY.
2. DUST CAPS ARE NOT SHOWN.

ENTER DESCRIPTION EC NO: MF2010-0307 DRWN: JSZEWczyk 2010/01/25 CHKD: JSZEWczyk 2010/01/18 APPR: IGUMIN 2010/01/25 A	QUALITY SYMBOLS ▽=0 ▽7=0	GENERAL TOLERANCES (UNLESS SPECIFIED)		DIMENSION STYLE MM ONLY		SCALE 5:1	DESIGN UNITS METRIC	THIRD ANGLE PROJECTION		
		mm	INCH	DRAWN BY	DATE	TITLE LC2+ DUPLEX CONNECTOR FOR BARE FIBER				
		4 PLACES ± ---	± ---	JSZEWczyk	2010/01/11					
		3 PLACES ± ---	± ---	CHECKED BY	DATE	MOLEX INCORPORATED				
2 PLACES ± ---	± ---	WCHEN	2009/05/08							
1 PLACE ± ---	± ---	APPROVED BY	DATE	MATERIAL NO.		DOCUMENT NO.		SHEET NO.		
ANGULAR ±1/2°		DRAFT WHERE APPLICABLE MUST REMAIN WITHIN DIMENSIONS		SEE TABLE		SD-106397-2X02		1 OF 1		
THIS DRAWING CONTAINS INFORMATION THAT IS PROPRIETARY TO MOLEX INCORPORATED AND SHOULD NOT BE USED WITHOUT WRITTEN PERMISSION										