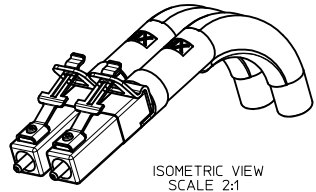
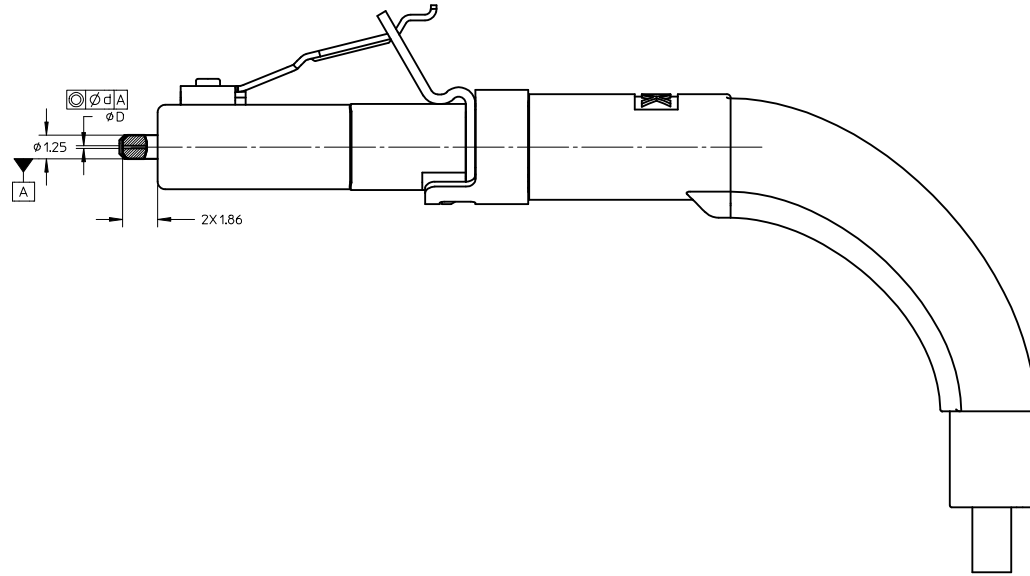
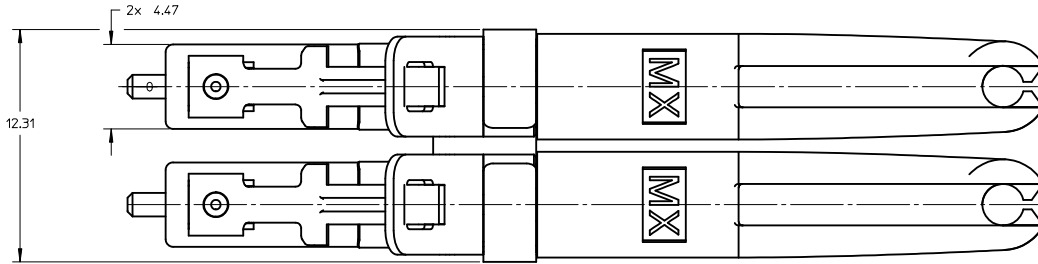
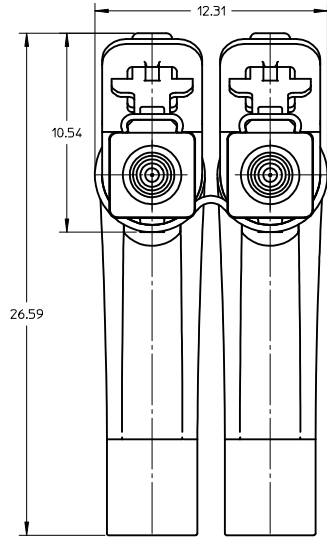


CONNECTOR P/N	∅D (µm)	∅d (µm)	BOOT COLOR	CABLE TYPE	CABLE DESCRIPTION AND ∅ (mm)
106397-2287	125.5 ⁺¹⁰ / ₀	0.5	BLUE	SM	SIMPLEX 1.6
106397-1662					SIMPLEX 2.0
106397-2289	126.0 ⁺³⁰ / ₀	1.0			SIMPLEX 1.6
106397-1664					SIMPLEX 2.0
106397-2487	127.0 ⁺³⁰ / ₀	3.0	WHITE	MM	SIMPLEX 1.6
106397-1862					SIMPLEX 2.0



ISOMETRIC VIEW
SCALE 2:1



NOTES:

- ALL DIMENSIONS ARE FOR REFERENCE ONLY
- DUST CAP IS NOT SHOWN.

ENTER DESCRIPTION EC NO: MF2010-0477 DRWNL:LSADAUSKIENE 2010/04/30 CHKD:WCHEN 2010/05/19 APPR:WCHEN 2010/05/27	QUALITY SYMBOLS =0 =0	GENERAL TOLERANCES (UNLESS SPECIFIED)		DIMENSION STYLE MM ONLY	SCALE 5:1	DESIGN UNITS METRIC	THIRD ANGLE PROJECTION
		4 PLACES ± --- ± ---	mm INCH	DRAWN BY DATE LSADAUSKIENE 2010/04/30	TITLE LC2 PLUS DUPLEX CONN 90D TIGHT BEND BOOT		
		3 PLACES ± --- ± ---		CHECKED BY DATE SERNST 2010/05/19			
		2 PLACES ± --- ± ---		APPROVED BY DATE WCHEN 2010/05/27			
1 PLACE ± --- ± ---		MATERIAL NO. SEE TABLE	SIZE C	DOCUMENT NO. SD-106397-2287	SHEET NO. 1 OF 1		
DRAFT WHERE APPLICABLE MUST REMAIN WITHIN DIMENSIONS		THIS DRAWING CONTAINS INFORMATION THAT IS PROPRIETARY TO MOLEX INCORPORATED AND SHOULD NOT BE USED WITHOUT WRITTEN PERMISSION					