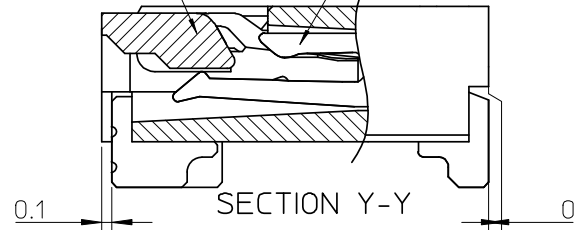
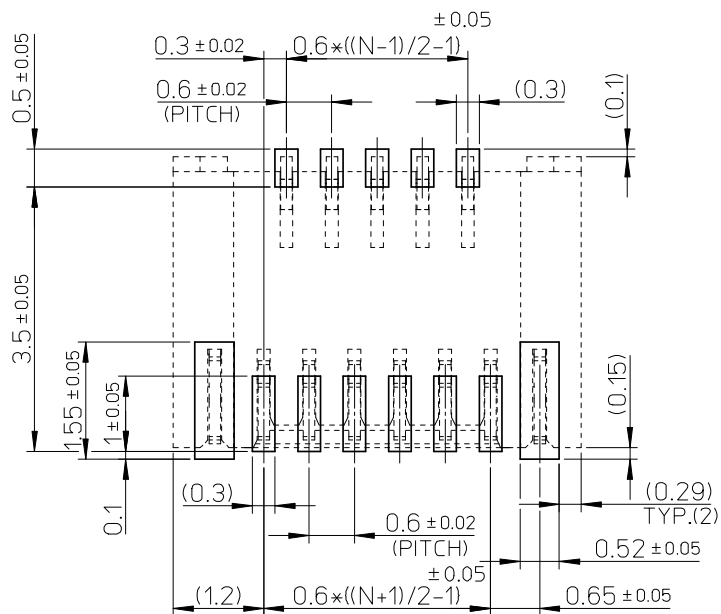


15.6	14.4	15.0	17.4	501912-5190	501912-5110	51
14.4	13.2	13.8	16.2	501912-4790	501912-4710	47
13.8	12.6	13.2	15.6	501912-4590	501912-4510	45
12.6	11.4	12.0	14.4	501912-4190	501912-4110	41
12.0	10.8	11.4	13.8	501912-3990	501912-3910	39
11.4	10.2	10.8	13.2	501912-3790	501912-3710	37
10.8	9.6	10.2	12.6	501912-3590	501912-3510	35
10.2	9.0	9.6	12.0	501912-3390	501912-3310	33
8.4	7.2	7.8	10.2	501912-2790	501912-2710	27
7.8	6.6	7.2	9.6	501912-2590	501912-2510	25
7.2	6.0	6.6	9.0	501912-2390	501912-2310	23
6.6	5.4	6.0	8.4	501912-2190	501912-2110	21
4.8	3.6	4.2	6.6	501912-1590	501912-1510	15
D	C	B	A	EMBOSSED-TAPE PKG ORDER No.	MATERIAL No.	CIRCUIT

MODEL No. 501912-**10



REVISED EC NO: J2008-3324 DRWN:HTAGAMI 2008/03/25 CHKD:KAKAHASHI 2008/04/07 APPR:KAKAHASHI 2008/04/07	GENERAL TOLERANCES (UNLESS SPECIFIED)		DIMENSION STYLE	SCALE	DESIGN UNITS	THIRD ANGLE PROJECTION
			MM ONLY	15:1	METRIC	
	10 UNDER	± 0.2	DRAWN BY	DATE	TITLE	
	10 OVER 30 UNDER	± 0.25	M.HAYASHI	2005/07/28	0.3 FPC CONN E/O HSG ASSY (HGT=1.8MM) GOLDPLATING	
30 OVER	± 0.3	CHECKED BY	DATE	MOLEX INCORPORATED		
		H.HIRATA	2005/07/28	DOCUMENT NO.		
		APPROVED BY	DATE	SD-501912-001		
		M.SASAO	2005/07/28	SHEET NO.		
		MATERIAL NO.	SEE TABLE		1 OF 2	
		SIZE	THIS DRAWING CONTAINS INFORMATION THAT IS PROPRIETARY TO MOLEX INCORPORATED AND SHOULD NOT BE USED WITHOUT WRITTEN PERMISSION			
		A3				

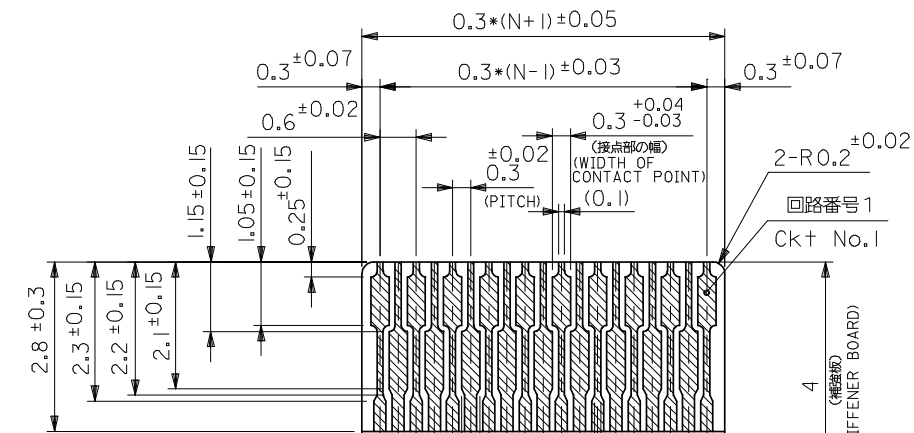


参考基板レイアウト図
(マウント面)
(MOUNTING SIDE)

注記 NOTES

- 使用材料 MATFRIAL
 ハウジング : 耐熱性樹脂 ガラス充填 UL94V-0
 HOUSING : HEAT RESISTANCE POLYMER (GLASS FILLED) UL94V-0
 アクチュエータ : 耐熱性樹脂 ガラス充填 UL94V-0
 ACTUATOR : HEAT RESISTANCE POLYMER (GLASS FILLED) UL94V-0
 ターミナル : 銅合金 (t=0.15), ニッケル下地金メッキ
 TERMINAL : COPPER ALLOY, GOLD OVER NICKEL PLATING.
 金具 : 銅合金 (t=0.15), ニッケル下地スズメッキ
 FITTING NAIL : COPPER ALLOY, TIN OVER NICKEL PLATING.
 ハウジングに黒点がある場合が有りますが、問題はありません。

- ソルダーテール半田付け面、及び金具半田付け面の平坦度 : 0.1mm MAXIMUM.
 COPLANARITY OF SOLDER TAILS AND FITTING NAILS TO BE 0.1mm MAXIMUM.
- ELV AND RoHS COMPLIANT.



適合FPC推奨寸法
APPLICABLE FPC
RECOMMENDED DIMENSION
(仕上がり厚さ: 0.2 ± 0.03)
(THICKNESS: 0.2 ± 0.03)

FPCについて:

打抜き方向は導体側から補強板側を推奨いたします。
 導体部については軟銅箔35マイクロメートルまたは50マイクロメートルを推奨致します。
 補強フィルム材質はポリイミドを推奨します。
 接着剤は熱硬化接着剤を推奨します。

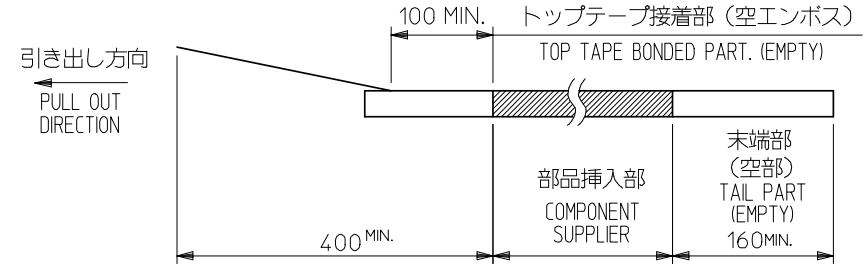
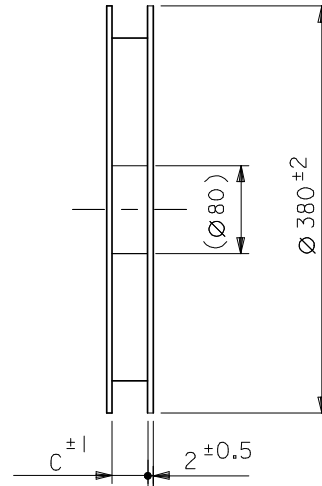
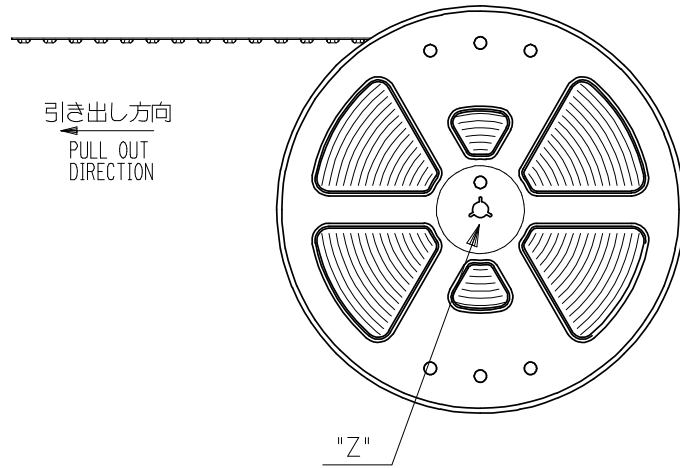
ABOUT FPC

RECOMMENDED PUNCHER DIRECTION : FROM CONDUCTOR SIDE TO STIFFENER FILM SIDE.
 RECOMMENDED CONDUCTOR SPEC :
 THICKNESS OF SOFT COPPER FOIL : 35 MICROMETER OR 50 MICROMETER
 RECOMMENDED MATERIAL :
 STIFFENER FILM : POLYIMIDE
 BONDING AGENT : THERMOSETTING BONDING AGENT

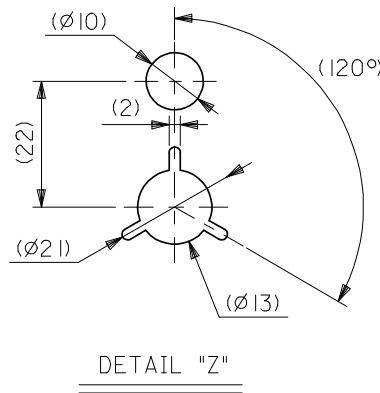
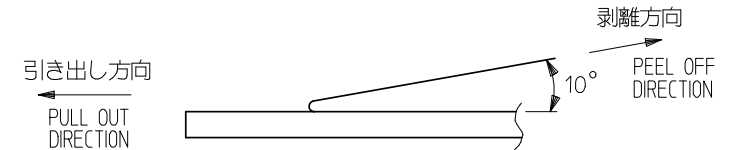
REVISED EC NO: J2008-3324 DRAWN: HTAGAMI 2008/03/25 CHKD: TAKAHASHI 2008/04/07 APPR: KAKAHASHI 2008/04/07	DESCRIPTION	GENERAL TOLERANCES (UNLESS SPECIFIED)		DIMENSION STYLE MM ONLY		SCALE ----	DESIGN UNITS METRIC	THIRD ANGLE PROJECTION	
		10 UNDER	±0.2	DRAWN BY M. HAYASHI	DATE 2005/07/28	TITLE 0.3 FPC CONN E/O HSG ASSY (HGT=1.8MM) GOLDPLATING			
		10 OVER 30 UNDER	±0.25	CHECKED BY H. HIRATA	DATE 2005/07/28	MOLEX INCORPORATED			
		30 OVER	±0.3	APPROVED BY M. SASAO	DATE 2005/07/28	DOCUMENT NO. SD-501912-001			
REV	DESCRIPTION	ANGULAR ±3 ° DRAFT WHERE APPLICABLE MUST REMAIN WITHIN DIMENSIONS		MATERIAL NO. SEE SHEET 1		SHEET NO. 2 OF 2			
		SIZE A3		THIS DRAWING CONTAINS INFORMATION THAT IS PROPRIETARY TO MOLEX INCORPORATED AND SHOULD NOT BE USED WITHOUT WRITTEN PERMISSION					

NOTES

- 製品詳細寸法は製品単体図面を参照して下さい。
FOR DETAIL OF CONNECTOR DIMENSIONS, PLEASE SEE THE DRAWING OF CONNECTOR ITSELF (NOT PACKAGED).
- 梱包数量：3000個/リール
NUMBER OF CONNECTORS : 3000PCS/REEL
- リードテープ長さ LEAD TAPE LENGTH



- トップテープの剥離強度：60±35gf (0.25N～0.93N) (剥離方向は下図参照) 尚、本規格値は出荷時に適用。(但し、輸送時に剥離が発生しないこと。)
PEELING OFF FORCE OF TOP TAPE : 65gf±30gf (0.25N～0.93N)
(PEELING DIRECTION AS SHOWN IN FOLLOWING FIG.)
THIS REQUIREMENT SHOULD BE APPLIED AT SHIPMENT.
PEEL OFF SHOULD NOT BE ALLOWED, DURING TRANSPORTATION.



5. 材料(MATERIAL)

キャリアテープ (CARRIER TAPE) : ポリスチレン (POLYSTYREN)
 トップテープ (TOP TAPE) : PET, PE, PEF
 リール(REEL) : ポリスチレン(PS) <リサイクル材を含む>
 POLYSTYREN(PS) <RECYCLE MATERIAL CONTAINED>

- C寸法は SHEET 2-4を参照下さい。
SEE SHEET 2-4(DIMENSION C).
- ELV AND RoHS COMPLIANT.

REVISED EC NO: J2008-3324 DRAWN: TAGAMI 2008/03/25 CHECKED: KITAKAWA 2008/04/07 APPR: KITAKAWA 2008/04/07	GENERAL TOLERANCES (UNLESS SPECIFIED)		DIMENSION STYLE MM ONLY		SCALE ---	DESIGN UNITS METRIC	MODEL NO. 501912-**-90	THIRD ANGLE PROJECTION
	10 UNDER	±0.2	DRAWN BY M. HAYASHI	DATE 2005/10/11	TITLE EMBSTP PKG FOR 0.3 FPC CONN (HGT=1.8MM) GOLD PLATING			
	10 OVER 30 UNDER	±0.25	CHECKED BY H. HIRATA	DATE 2005/10/11				
	30 OVER	±0.3	APPROVED BY M. SASAO	DATE 2005/10/11	MOLEX INCORPORATED			
	ANGULAR	±3 °	MATERIAL NO.	DOCUMENT NO.	SHEET NO. 1 OF 4			
	DRAFT WHERE APPLICABLE MUST REMAIN WITHIN DIMENSIONS		SEE TABLE		SD-501912-002			
THIS DRAWING CONTAINS INFORMATION THAT IS PROPRIETARY TO MOLEX INCORPORATED AND SHOULD NOT BE USED WITHOUT WRITTEN PERMISSION								

F

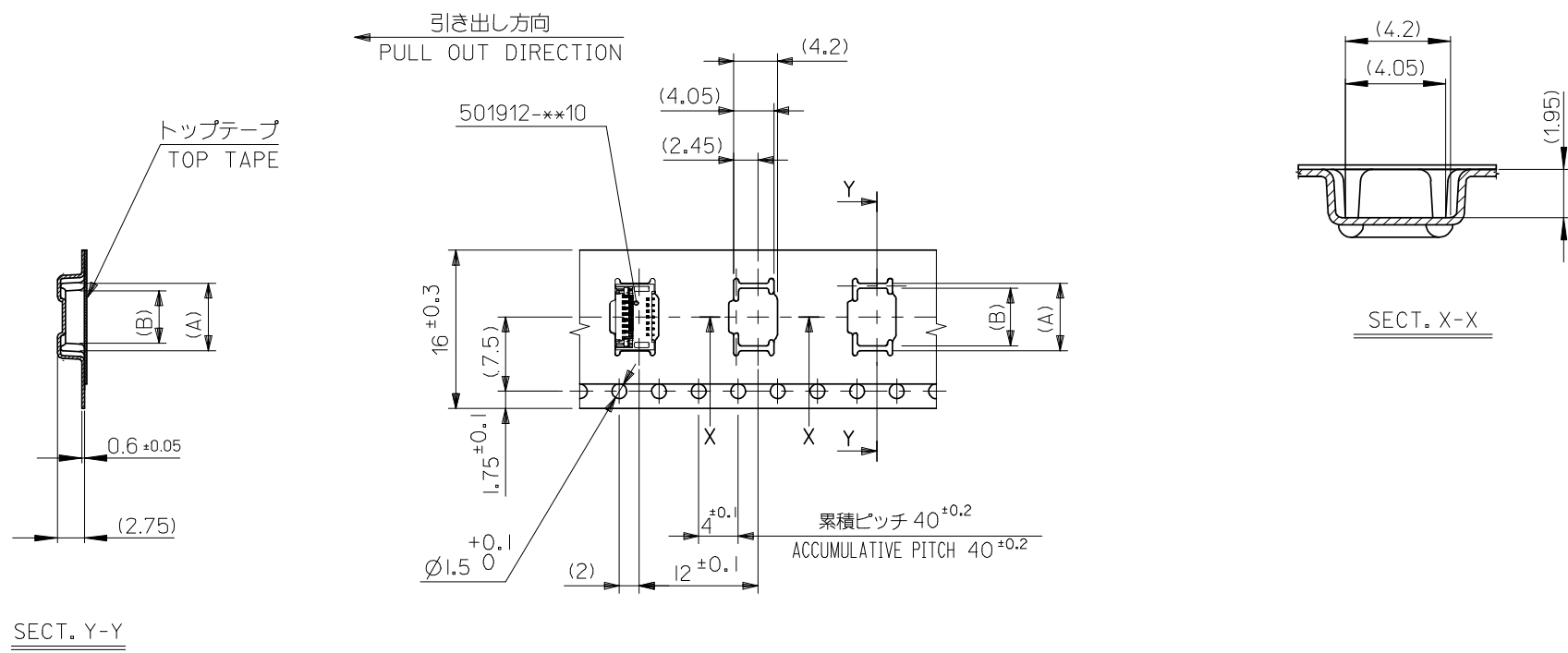
E

D

C

B

A



16 mm幅キャリアテープ
16mm WIDTH CARRIER TAPE

16	17.5	4.6	6.8	501912-1590	15
キャリアテープ幅 CARRIER TAPE WIDTH	C	(B)	(A)	製品番号 MATERIAL No.	極数 CK+
				501912-**90	MODEL No.

REVISED EC NO: J2008-3324 DRAWN: TAGAMI 2008/03/25 CH'KD: TAKAHASHI 2008/04/07 APPR: KITAKAHASHI 2008/04/07	GENERAL TOLERANCES (UNLESS SPECIFIED)		DIMENSION STYLE MM ONLY		SCALE ---	DESIGN UNITS METRIC	THIRD ANGLE PROJECTION	
	10 UNDER	±0.2	DRAWN BY M. HAYASHI	DATE 2005/10/11	TITLE EMBSTP PKG FOR 0.3 FPC CONN (HGT=1.8MM) GOLD PLATING			
	10 OVER 30 UNDER	±0.25	CHECKED BY H. HIRATA	DATE 2005/10/11				
	30 OVER	±0.3	APPROVED BY M. SASAO	DATE 2005/10/11	MOLEX INCORPORATED			
	ANGULAR	±3 °	MATERIAL NO.	DOCUMENT NO.				
DRAFT WHERE APPLICABLE MUST REMAIN WITHIN DIMENSIONS		SEE TABLE		SD-501912-002				

F

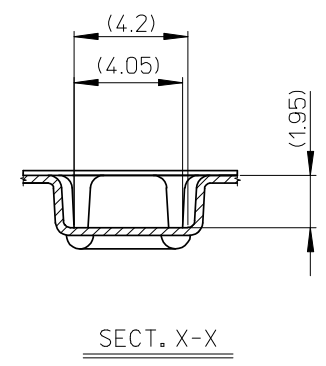
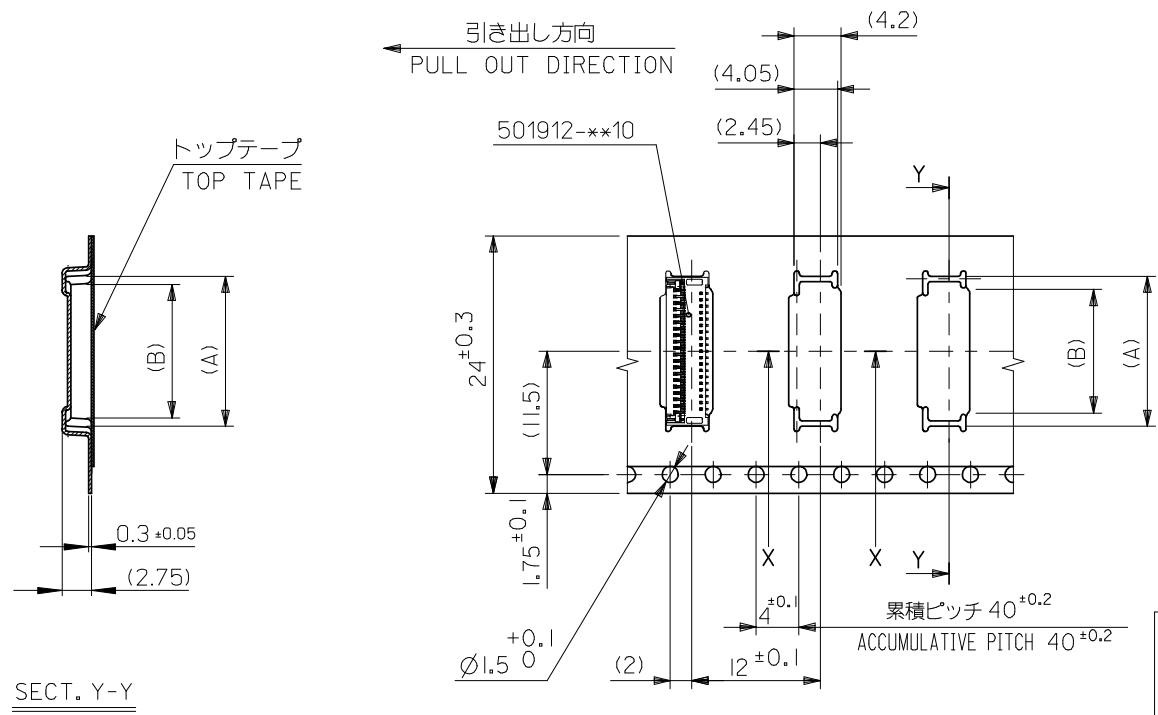
E

D

C

B

A



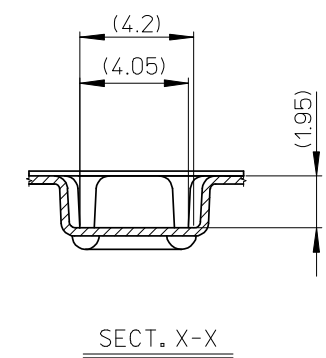
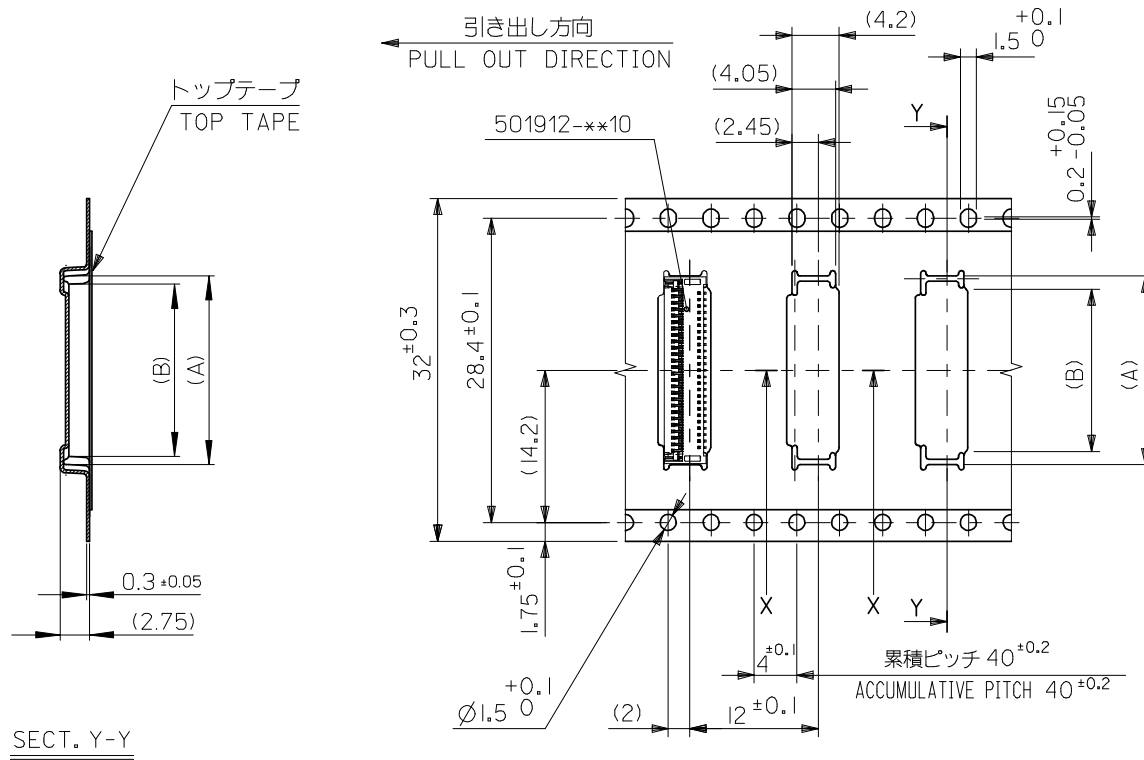
SECT. Y-Y

SECT. X-X

24mm幅キャリアテープ
24mm WIDTH CARRIER TAPE

24	25.5	12.4	14.6	501912-4190	41	
		11.8	14.0	501912-3990	39	
		11.2	13.4	501912-3790	37	
		10.6	12.8	501912-3590	35	
		10.0	12.2	501912-3390	33	
		8.2	10.4	501912-2790	27	
		7.6	9.8	501912-2590	25	
		7.0	9.2	501912-2390	23	
		6.4	8.6	501912-2190	21	
キャリアテープ幅 CARRIER TAPE WIDTH		C	(B)	(A)	製品番号 MATERIAL No.	極数 CK+
				501912-**90	MODEL No.	

REVISED EC NO: J2008-3324 DRWN:HTAGAMI 2008/03/25 CHKD:KTAKAHASHI 2008/04/07 APPR:KTAKAHASHI 2008/04/07	GENERAL TOLERANCES (UNLESS SPECIFIED)		DIMENSION STYLE MM ONLY		SCALE ---	DESIGN UNITS METRIC	THIRD ANGLE PROJECTION	
	10 UNDER	±0.2	DRAWN BY M. HAYASHI	DATE 2005/10/11	TITLE EMBSTP PKG FOR 0.3 FPC CONN (HGT=1.8MM) GOLD PLATING			
	10 OVER 30 UNDER	±0.25	CHECKED BY H. HIRATA	DATE 2005/10/11				
	30 OVER	±0.3	APPROVED BY M. SASAO	DATE 2005/10/11	MOLEX INCORPORATED			
	ANGULAR	±3 °	MATERIAL NO.	DOCUMENT NO.				
DRAFT WHERE APPLICABLE MUST REMAIN WITHIN DIMENSIONS		SEE TABLE		SD-501912-002		3 OF 4		
THIS DRAWING CONTAINS INFORMATION THAT IS PROPRIETARY TO MOLEX INCORPORATED AND SHOULD NOT BE USED WITHOUT WRITTEN PERMISSION								

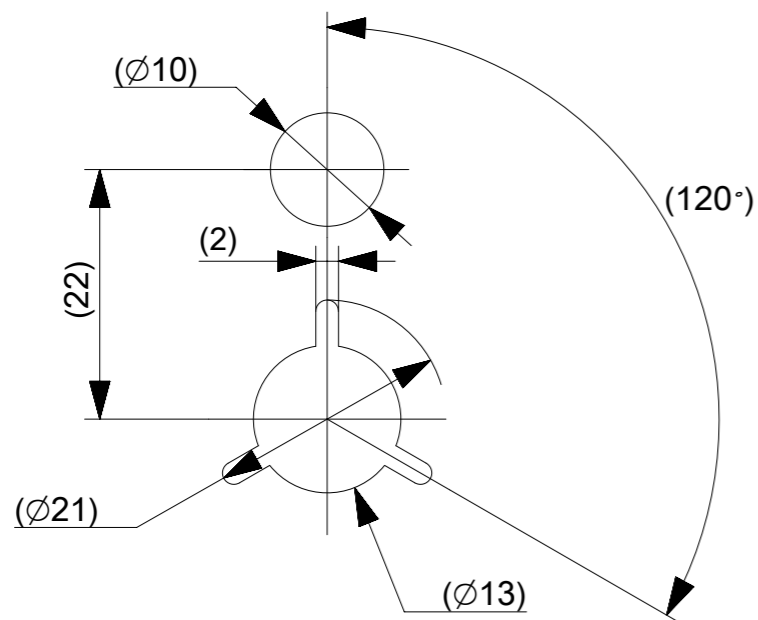
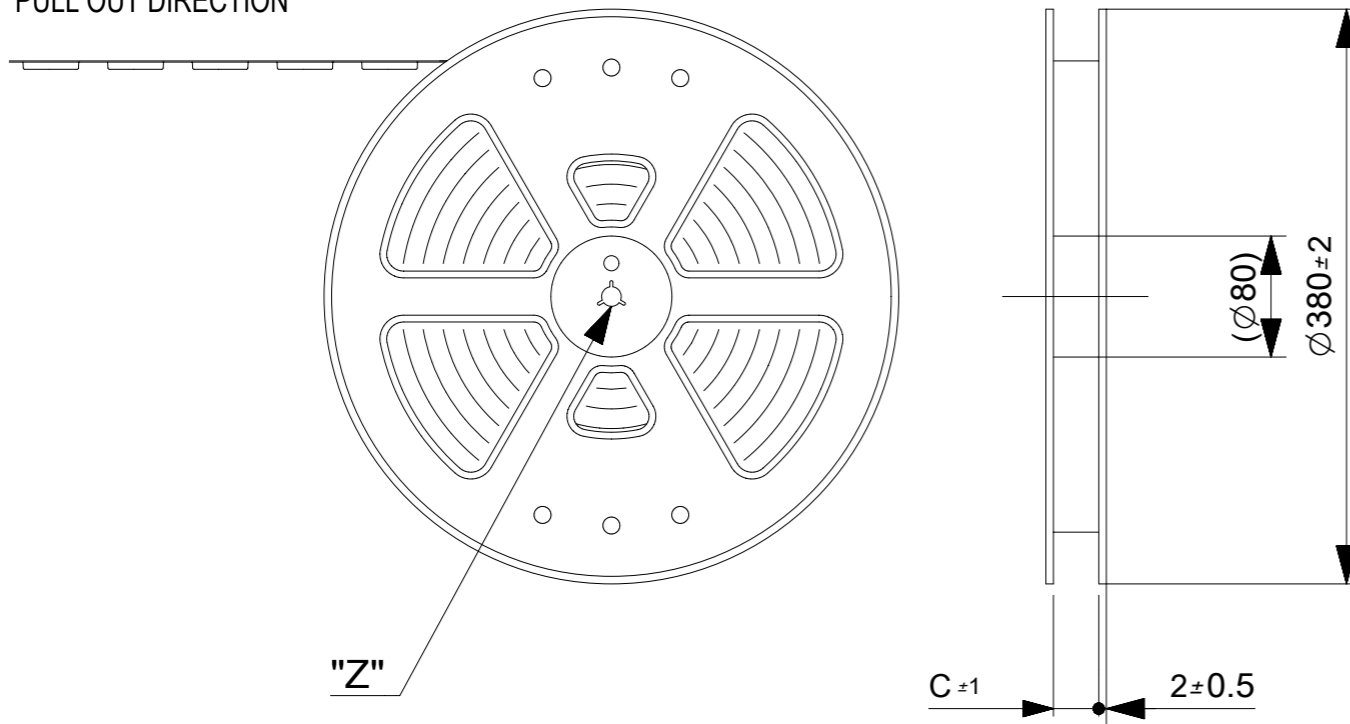


32mm幅キャリアテープ
32mm WIDTH CARRIER TAPE

32	33.5	15.4	17.6	501912-5190	51
		14.2	16.4	501912-4790	47
		13.6	15.8	501912-4590	45
キャリアテープ幅 CARRIER TAPE WIDTH	C	(B)	(A)	製品番号 MATERIAL No.	極数 CK+
501912-**90					MODEL No.

REVISED EC NO: J2008-3324 DRWN: HTAGAMI 2008/03/25 CHKD: KTAKAHASHI 2008/04/07 APPR: KTAKAHASHI 2008/04/07 REV DESCRIPTION	GENERAL TOLERANCES (UNLESS SPECIFIED)		DIMENSION STYLE	SCALE	DESIGN UNITS	THIRD ANGLE PROJECTION
	10 UNDER	±0.2	MM ONLY	---	METRIC	☉ □
	10 OVER 30 UNDER	±0.25				
	30 OVER	±0.3				
	ANGULAR	±3 °				
DRAFT WHERE APPLICABLE MUST REMAIN WITHIN DIMENSIONS		DRAWN BY DATE		TITLE		
		M. HAYASHI 2005/10/11		EMBSTP PKG FOR 0.3 FPC CONN (HGT=1.8MM) GOLD PLATING		
		CHECKED BY DATE		MOLEX INCORPORATED		
		H. HIRATA 2005/10/11				
		APPROVED BY DATE		MATERIAL NO. DOCUMENT NO. SHEET NO.		
		M. SASAO 2005/10/11		SEE TABLE SD-501912-002		4 OF 4
		SIZE THIS DRAWING CONTAINS INFORMATION THAT IS PROPRIETARY TO MOLEX INCORPORATED AND SHOULD NOT BE USED WITHOUT WRITTEN PERMISSION				

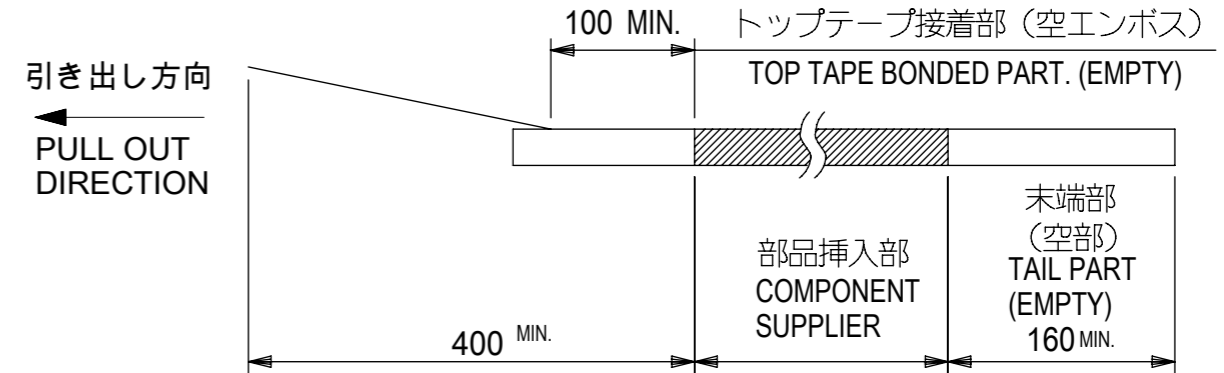
引き出し方向
PULL OUT DIRECTION



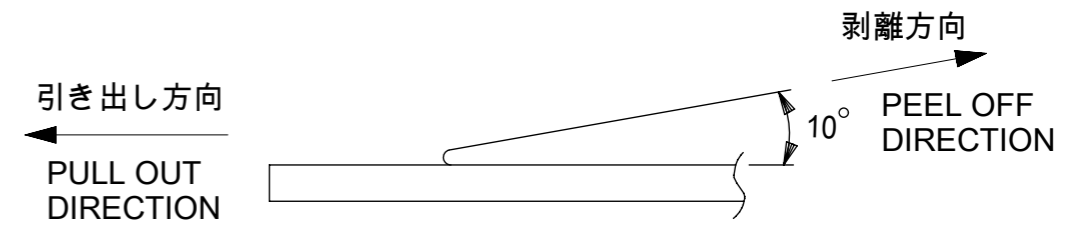
DETAIL "Z"

NOTES

- 製品詳細寸法は製品単体図面を参照して下さい。
FOR DETAIL OF CONNECTOR DIMENSIONS, PLEASE SEE THE DRAWING OF CONNECTOR ITSELF (NOT PACKAGED).
- 梱包数量 : 3000個 / リール
NUMBER OF CONNECTORS : 3000PCS/REEL
- リードテープ長さ LEAD TAPE LENGTH



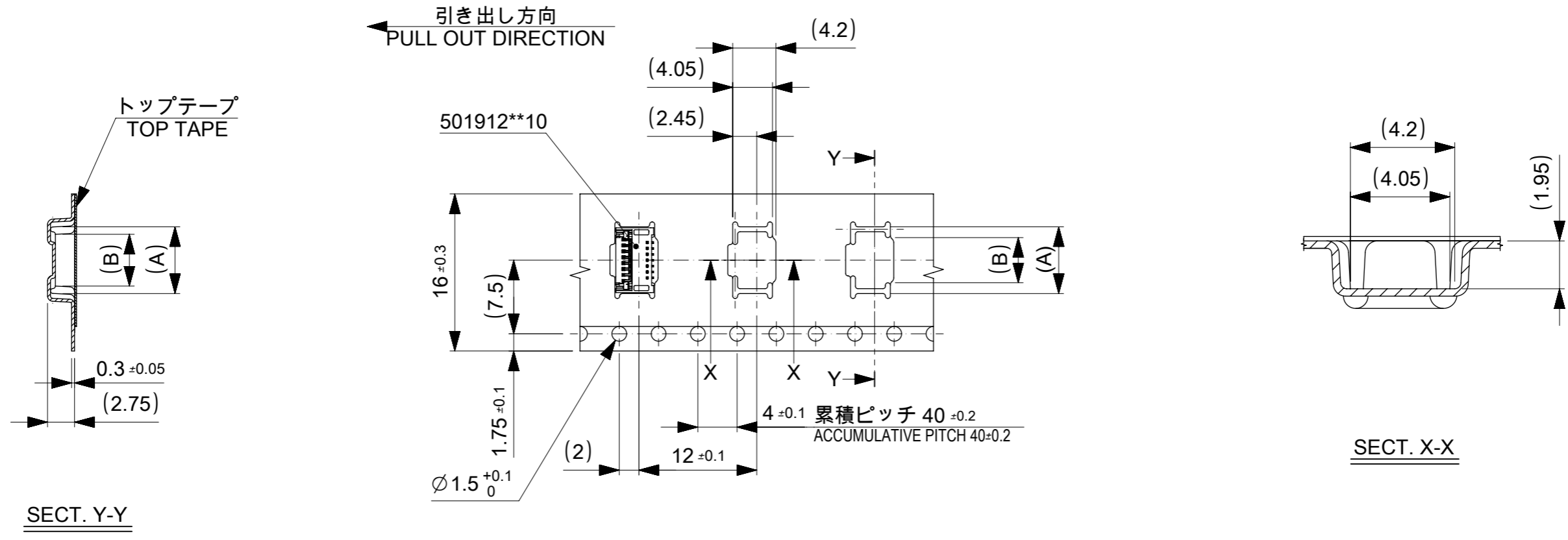
- トップテープの剥離強度 : 60±35gf (0.25N ~ 0.93N) (剥離方向は下図参照)
尚、本規格は出荷時に適用。(但し、輸送時に剥離が発生しないこと。)
PEELING OFF FORCE OF TOP TAPE : 60gf±35gf (0.25N ~ 0.93N)
(PEELING DIRECTION AS SHOWN IN FOLLOWING FIG.)
THIS REQUIREMENT SHOULD BE APPLIED AT SHIPMENT.
PEEL OFF SHOULD NOT BE ALLOWED, DURING TRANSPORTATION.



- 材料(MATERIAL)
キャリアテープ(CARRIER TAPE) : ポリスチレン(POLYSTYREN)
トップテープ(TOP TAPE) : PET, PE, PEF
リール(REEL) : ポリスチレン(PS) <リサイクル材を含む>
POLYSTYREN(PS) <RECYCLE MATERIAL CONTAINED>
- C寸法は SHEET 2~4を参照下さい。
SEE SHEET 2~4(DIMENSION C).
- ELV AND RoHS COMPLIANT.

501912**90 MODEL NO.

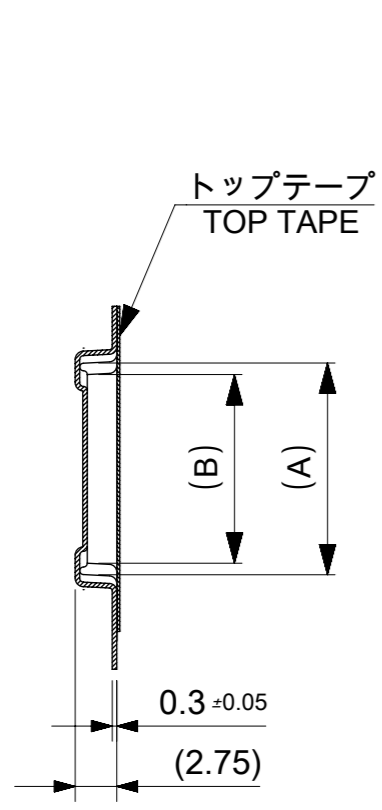
THIS DRAWING CONTAINS INFORMATION THAT IS PROPRIETARY TO MOLEX ELECTRONIC TECHNOLOGIES, LLC AND SHOULD NOT BE USED WITHOUT WRITTEN PERMISSION										
RELEASED	EC NO. 101883	DRWN: SHIRATA	CHK'D: HIJIMA	APPR: YNOGAWA	2015/11/24	2016/01/05	2016/01/05	GENERAL TOLERANCES (UNLESS SPECIFIED)		
	4 PLACES		± 0.2		ANGULAR TOL ± 3.0 °		DIMENSION UNITS		SCALE	
	3 PLACES		± 0.2		DRWN BY		DATE		MM	NTS
	2 PLACES		± 0.2		SHIRATA		2015/11/24		PRODUCT CUSTOMER DRAWING	
	1 PLACE		± 0.2		CHK'D BY		DATE		EMBSTP PKG FOR 0.3 FPC CONN (HGT=1.8MM) GOLD PLATING	
0 PLACES		± 0.2		HIJIMA		2016/01/05		PRODUCT CUSTOMER DRAWING		
DRAFT WHERE APPLICABLE MUST REMAIN WITHIN DIMENSIONS		DRAWING SIZE		THIRD ANGLE PROJECTION		APPR BY		DATE		
A		A3		YNOGAWA		2016/01/05		SERIES		
REV		A3		DRAWING SIZE		THIRD ANGLE PROJECTION		MATERIAL NUMBER		
A		A3		A3		A3		501912		
A		A3		A3		A3		SEE TABLE		
A		A3		A3		A3		CUSTOMER		
A		A3		A3		A3		DOCUMENT NUMBER		
A		A3		A3		A3		5019120000		
A		A3		A3		A3		DOC TYPE		
A		A3		A3		A3		PSD		
A		A3		A3		A3		DOC PART		
A		A3		A3		A3		000		
A		A3		A3		A3		SHEET NUMBER		
A		A3		A3		A3		1 OF 4		



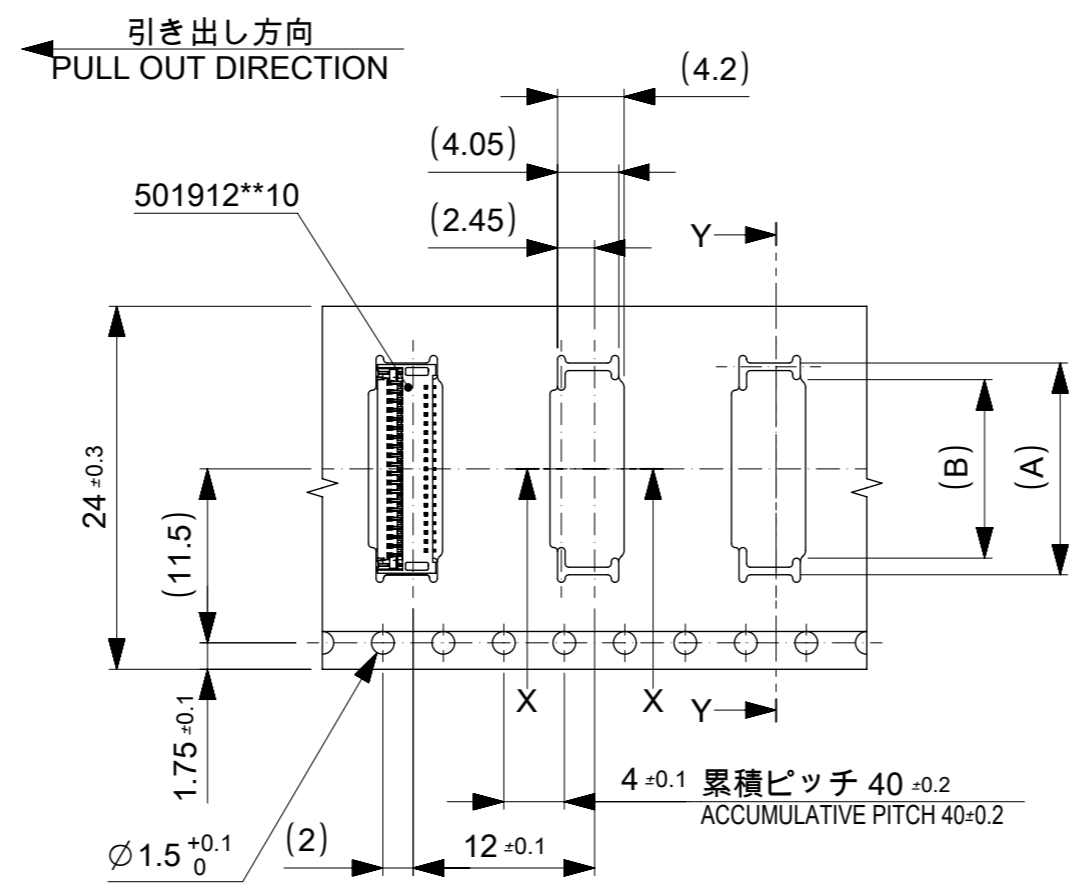
16mm幅キャリアテープ
16mm WIDTH CARRIER TAPE

16	17.5	4.6	6.8	5019121590	15
キャリアテープ幅 CARRIER TAPE WIDTH	C	(B)	(A)	オーダー番号 ORDER NO.	極数 Ckt
501912**90				MODEL NO.	

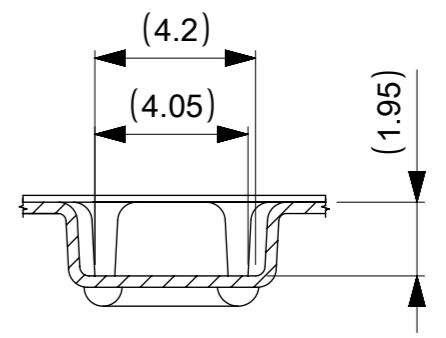
THIS DRAWING CONTAINS INFORMATION THAT IS PROPRIETARY TO MOLEX ELECTRONIC TECHNOLOGIES, LLC AND SHOULD NOT BE USED WITHOUT WRITTEN PERMISSION							
EC NO: 101883 DRWN: SHIRATA CHK'D: HIJIMA APPR: YNOGAWA	2015/11/24	GENERAL TOLERANCES (UNLESS SPECIFIED)		DIMENSION UNITS	SCALE		
	2016/01/05	ANGULAR TOL ± 3.0 °		MM	NTS		
	2016/01/05	4 PLACES ± 0.2	DRWN BY	DATE			
		3 PLACES ± 0.2	SHIRATA	2015/11/24			
		2 PLACES ± 0.2	CHK'D BY	DATE			
	1 PLACE ± 0.2	HIJIMA	2016/01/05				
	0 PLACES ± 0.2	APPR BY	DATE				
		YNOGAWA	2016/01/05				
		DRAWING SIZE	THIRD ANGLE PROJECTION				
		A3					
DRAFT WHERE APPLICABLE MUST REMAIN WITHIN DIMENSIONS		 EMBSTP PKG FOR 0.3 FPC CONN (HGT=1.8MM) GOLD PLATING					
						PRODUCT CUSTOMER DRAWING	
						SERIES	MATERIAL NUMBER
		501912	SEE TABLE				
		DOCUMENT NUMBER		DOC TYPE	DOC PART		
		5019120000		PSD	000		
				SHEET NUMBER			
				2 OF 4			



SECT. Y-Y



24mm幅キャリアテープ
24mm WIDTH CARRIER TAPE

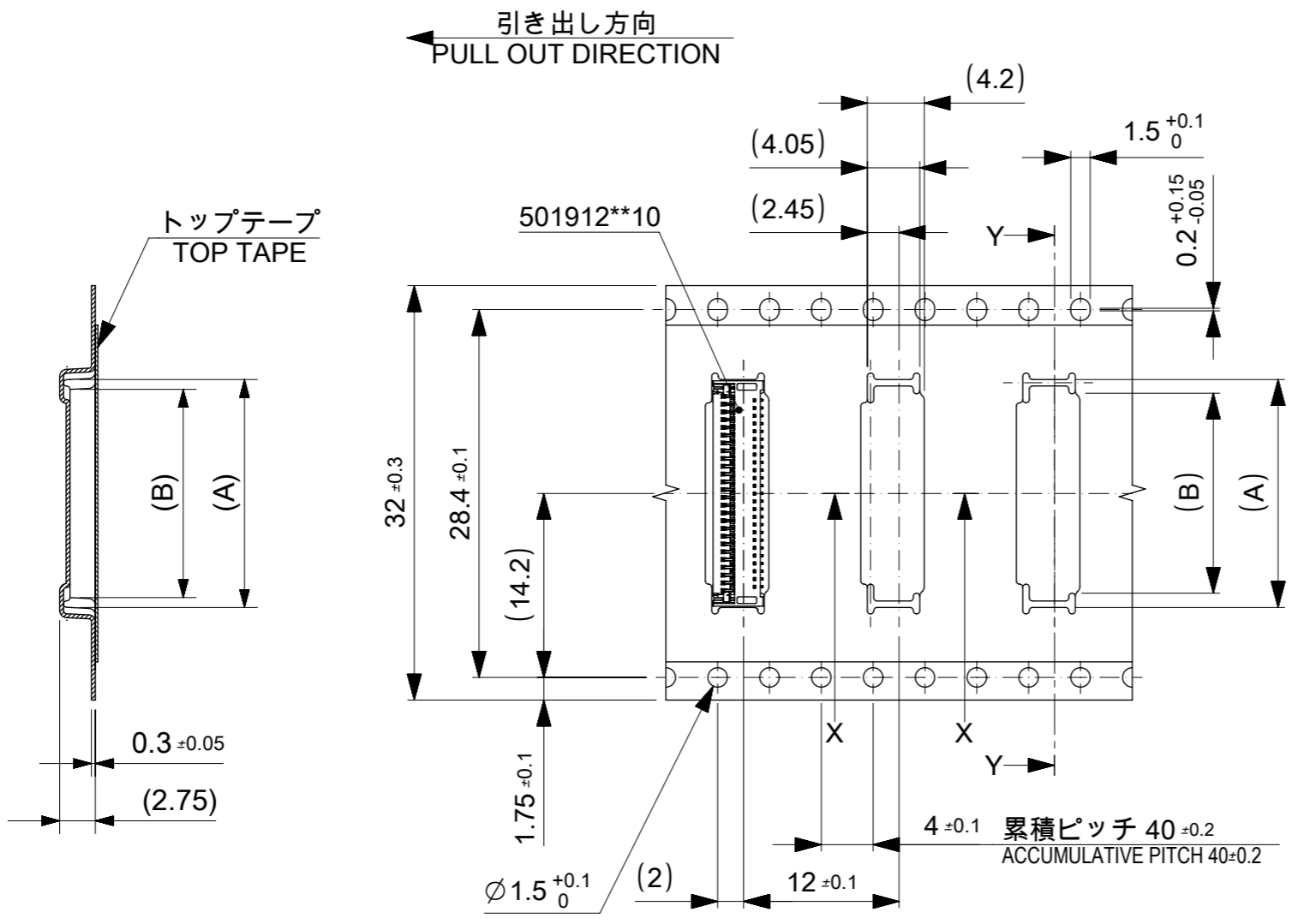


SECT. X-X

24	25.5	12.4	14.6	5019124190	41	
		11.8	14.0	5019123990	39	
		11.2	13.4	5019123790	37	
		10.6	12.8	5019123590	35	
		10.0	12.2	5019123390	33	
		8.2	10.4	5019122790	27	
		7.6	9.8	5019122590	25	
		7.0	9.2	5019122390	23	
		6.4	8.6	5019122190	21	
キャリアテープ幅 CARRIER TAPE WIDTH		C	(B)	(A)	オーダー番号 ORDER NO.	極数 Ckt
501912**90				MODEL NO.		

THIS DRAWING CONTAINS INFORMATION THAT IS PROPRIETARY TO MOLEX ELECTRONIC TECHNOLOGIES, LLC AND SHOULD NOT BE USED WITHOUT WRITTEN PERMISSION

EC NO: 101883 DRWN: SHIRATA CHK'D: HIJIMA APPR: YNOGAWA	2015/11/24	GENERAL TOLERANCES (UNLESS SPECIFIED)		DIMENSION UNITS	SCALE				
	2016/01/05	ANGULAR TOL ± 3.0 °		MM	NTS				
	2016/01/05	4 PLACES ± 0.2	DRWN BY	DATE			EMBSTP PKG FOR 0.3 FPC CONN (HGT=1.8MM) GOLD PLATING		
		3 PLACES ± 0.2	SHIRATA	2015/11/24					
		2 PLACES ± 0.2	CHK'D BY	DATE					
		1 PLACE ± 0.2	HIJIMA	2016/01/05			PRODUCT CUSTOMER DRAWING		
	0 PLACES ± 0.2	APPR BY	DATE						
		YNOGAWA	2016/01/05		SERIES	MATERIAL NUMBER	CUSTOMER		
			DRAWING SIZE	THIRD ANGLE PROJECTION		501912	SEE TABLE		
			A3			DOCUMENT NUMBER	DOC TYPE	DOC PART	SHEET NUMBER
						5019120000	PSD	000	3 OF 4



SECT. Y-Y

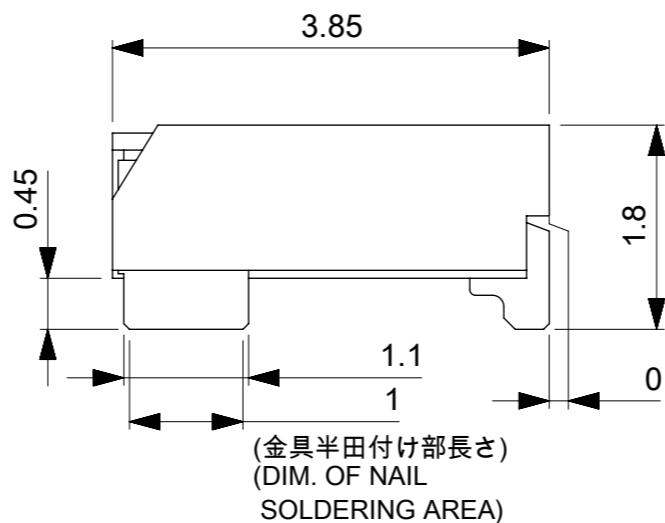
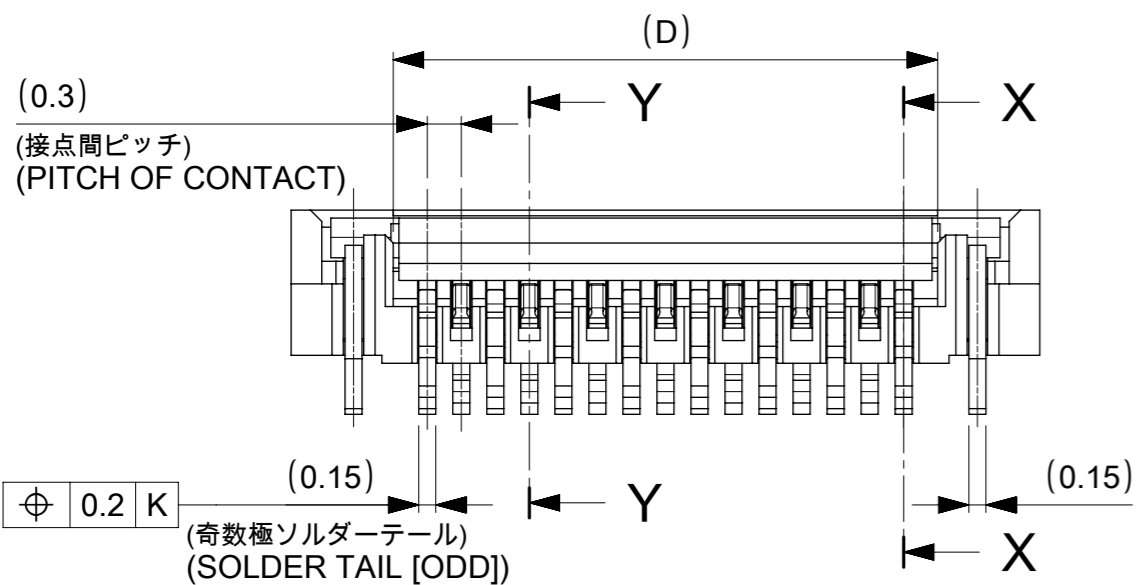
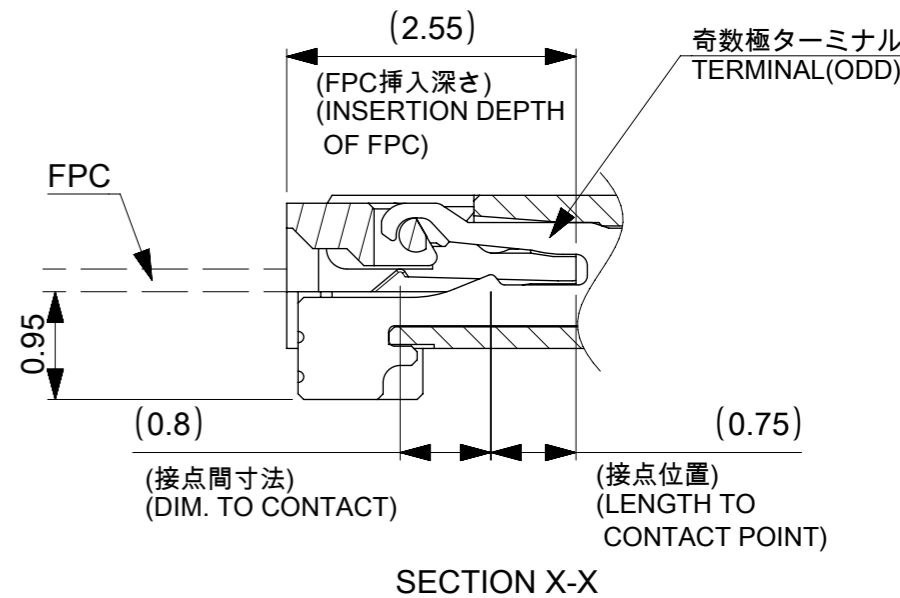
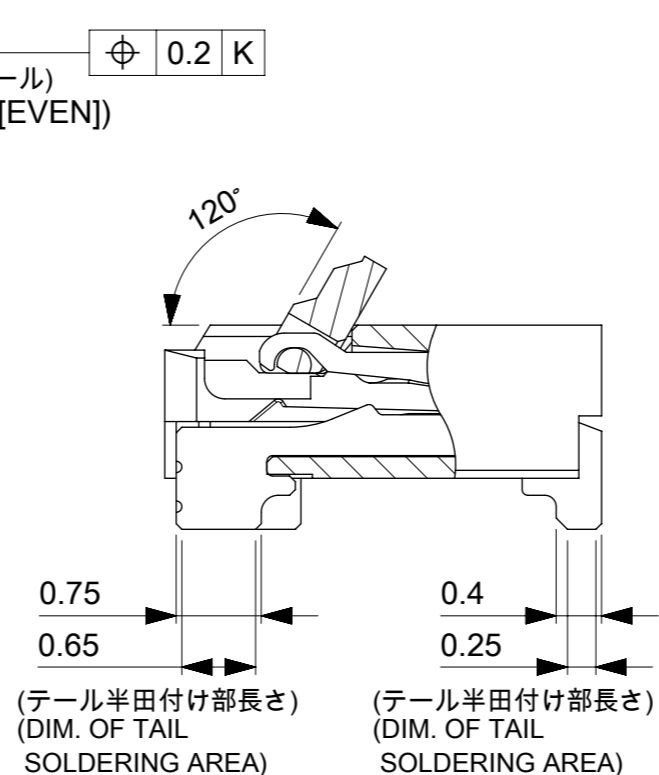
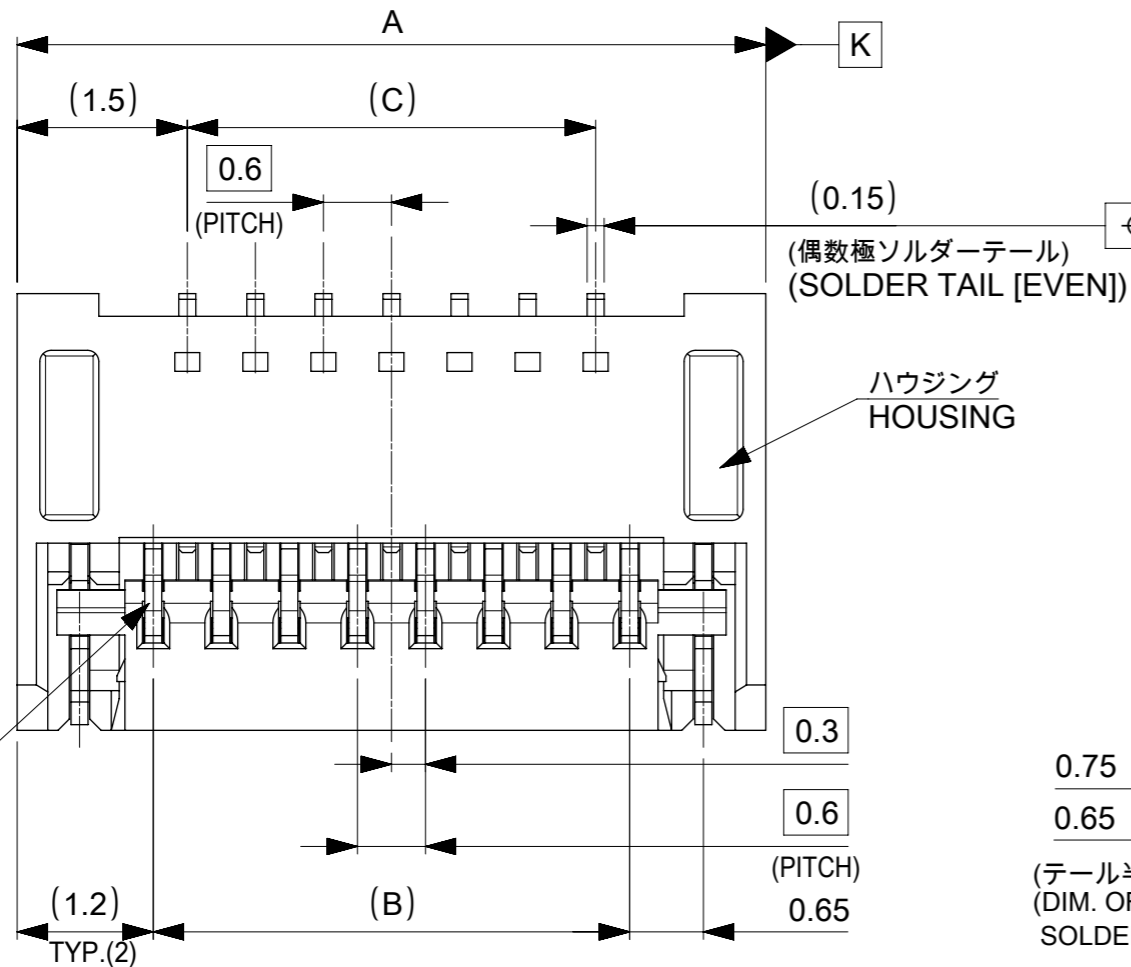
32mm幅キャリアテープ
32mm WIDTH CARRIER TAPE

32	33.5	15.4	17.6	5019125190	51
		14.2	16.4	5019124790	47
		13.6	15.8	5019124590	45
キャリアテープ幅 CARRIER TAPE WIDTH	C	(B)	(A)	オーダー番号 ORDER NO.	極数 Ckt
501912**90				MODEL NO.	

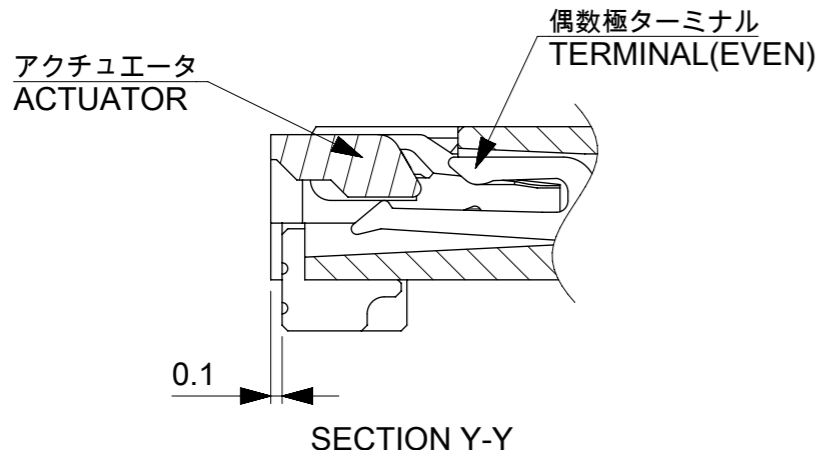
THIS DRAWING CONTAINS INFORMATION THAT IS PROPRIETARY TO MOLEX ELECTRONIC TECHNOLOGIES, LLC AND SHOULD NOT BE USED WITHOUT WRITTEN PERMISSION

EC NO: 101883 DRWN: SHIRATA CHK'D: HIJIMA APPR: YNOGAWA	2015/11/24 2016/01/05 2016/01/05	GENERAL TOLERANCES (UNLESS SPECIFIED) ANGULAR TOL ± 3.0 ° 4 PLACES ± 0.2 3 PLACES ± 0.2 2 PLACES ± 0.2 1 PLACE ± 0.2 0 PLACES ± 0.2	DIMENSION UNITS: MM SCALE: NTS	<p>EMBSTP PKG FOR 0.3 FPC CONN (HGT=1.8MM) GOLD PLATING</p> <p>PRODUCT CUSTOMER DRAWING</p>	
	DRWN BY: SHIRATA CHK'D BY: HIJIMA APPR BY: YNOGAWA	DATE: 2015/11/24 DATE: 2016/01/05 DATE: 2016/01/05	DRAFT WHERE APPLICABLE MUST REMAIN WITHIN DIMENSIONS		DRAWING SIZE: A3 THIRD ANGLE PROJECTION
	SERIES: 501912	MATERIAL NUMBER: SEE TABLE	CUSTOMER:		DOCUMENT NUMBER: 5019120000 DOC TYPE: PSD DOC PART: 000 SHEET NUMBER: 4 OF 4

回路番号1
CIRCUIT No.1

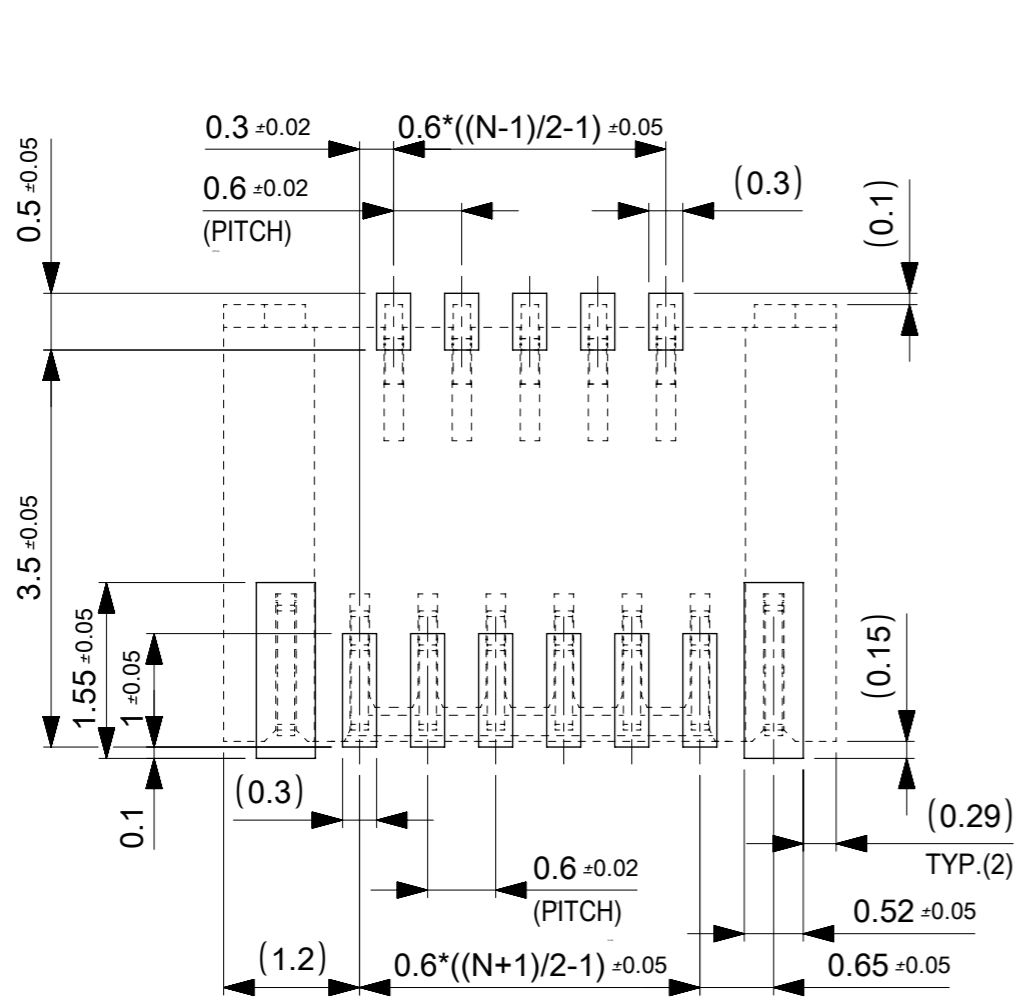


15.6	14.4	15.0	17.4	5019125190	5019125110	51
14.4	13.2	13.8	16.2	5019124790	5019124710	47
13.8	12.6	13.2	15.6	5019124590	5019124510	45
12.6	11.4	12.0	14.4	5019124190	5019124110	41
12.0	10.8	11.4	13.8	5019123990	5019123910	39
11.4	10.2	10.8	13.2	5019123790	5019123710	37
10.8	9.6	10.2	12.6	5019123590	5019123510	35
10.2	9.0	9.6	12.0	5019123390	5019123310	33
8.4	7.2	7.8	10.2	5019122790	5019122710	27
7.8	6.6	7.2	9.6	5019122590	5019122510	25
7.2	6.0	6.6	9.0	5019122390	5019122310	23
6.6	5.4	6.0	8.4	5019122190	5019122110	21
4.8	3.6	4.2	6.6	5019121590	5019121510	15
D	C	B	A	EMBOSSED TAPE PKG		MATERIAL No. CIRCUIT
				ORDER No.		
MODEL No. 501912**10						



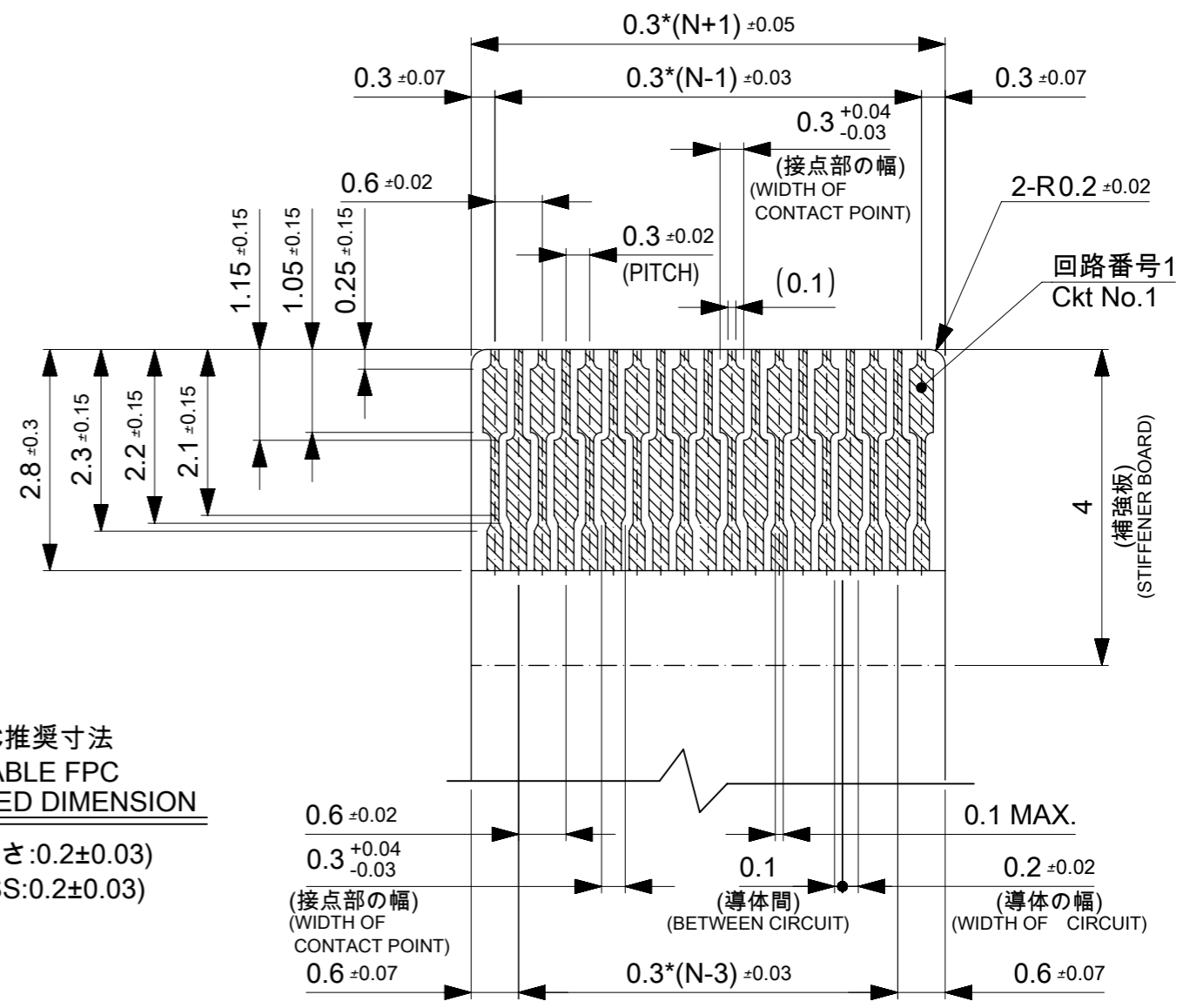
THIS DRAWING CONTAINS INFORMATION THAT IS PROPRIETARY TO MOLEX ELECTRONIC TECHNOLOGIES, LLC AND SHOULD NOT BE USED WITHOUT WRITTEN PERMISSION

RELEASED EC NO: 101883 DRWN: SHIRATA CHK'D: HIJIMA APPR: YNOGAWA	2015/11/24	GENERAL TOLERANCES (UNLESS SPECIFIED)		DIMENSION UNITS	SCALE	molex	
	2016/01/05	ANGULAR TOL ± 3.0 °		MM	15:1		
	2016/01/05	4 PLACES ± 0.2	DRWN BY	DATE			0.3 FPC CONN E/O HSG ASSY (HGT=1.8MM) GOLD PLATING
		3 PLACES ± 0.2	SHIRATA	2015/11/24			
		2 PLACES ± 0.2	CHK'D BY	DATE			PRODUCT CUSTOMER DRAWING
	1 PLACE ± 0.2	HIJIMA	2016/01/05				
	0 PLACES ± 0.2	APPR BY	DATE		SERIES MATERIAL NUMBER CUSTOMER		
		YNOGAWA	2016/01/05			501912 SEE TABLE	
		DRAFT WHERE APPLICABLE MUST REMAIN WITHIN DIMENSIONS	DRAWING SIZE	THIRD ANGLE PROJECTION		DOCUMENT NUMBER DOC TYPE DOC PART SHEET NUMBER	
			A3			5019121000 PSD 000 1 OF 2	



参考基板レイアウト図
(マウント面)
(MOUNTING SIDE)

適合FPC推奨寸法
APPLICABLE FPC
RECOMMENDED DIMENSION
(仕上がり厚さ:0.2±0.03)
(THICKNESS:0.2±0.03)



注記 NOTES

- 使用材料 MATERIAL
 - ハウジング :耐熱性樹脂 ガラス充填 UL94V-0
 - HOUSING :HEAT RESISTANCE POLYMER(GLASS FILLED) UL94V-0
 - アクチュエータ :耐熱性樹脂 ガラス充填 UL94V-0
 - ACTUATOR :HEAT RESISTANCE POLYMER(GLASS FILLED) UL94V-0
 - ターミナル :銅合金(t=0.15)、ニッケル下地金メッキ
 - TERMINAL :COPPER ALLOY(t=0.15),GOLD OVER NICKEL PLATING.
 - 金具 :銅合金(t=0.15)、ニッケル下地スズメッキ
 - FITTING NAIL :COPPER ALLOY(t=0.15),TIN OVER NICKEL PLATING.
- ハウジングに黒点がある場合がありますが、問題はありません。
- ソルダーテール半田付け面、及び金具半田付け面の平坦度 : 0.1mm MAXIMUM.
COPLANARITY OF SOLDER TAILS AND FITTING NAILS TO BE 0.1mm MAXIMUM.
- ELV AND RoHS COMPLIANT.

FPCについて:

打抜き方向は導体側から補強板側を推奨致します。
導体部については軟銅箔35マイクロメートルまたは50マイクロメートルを推奨致します。
補強フィルム材質はポリイミドを推奨致します。
接着剤は熱硬化接着剤を推奨致します。

ABOUT FPC

RECOMMENDED PUNCHER DIRECTION : FROM CONDUCTOR SIDE TO STIFFENER FILM SIDE.
RECOMMENDED CONDUCTOR SPEC :
THICKNESS OF SOFT COPPER FOIL : 35 MICROMETER OR 50 MICROMETER.
RECOMMENDED MATERIAL :
STIFFENER FILM : POLYIMIDE
BONDING AGENT : THERMOSETTING BONDING AGENT.

THIS DRAWING CONTAINS INFORMATION THAT IS PROPRIETARY TO MOLEX ELECTRONIC TECHNOLOGIES, LLC AND SHOULD NOT BE USED WITHOUT WRITTEN PERMISSION

RELEASED	2015/11/24	GENERAL TOLERANCES (UNLESS SPECIFIED)	DIMENSION UNITS	SCALE	molex	
	2016/01/05		MM	15:1		
	2016/01/05		DRWN BY	DATE		0.3 FPC CONN E/O HSG ASSY (HGT=1.8MM) GOLD PLATING
	EC NO: 101883 DRWN: SHIRATA CHK'D: HIJIMA APPR: YNOGAWA		4 PLACES	± 0.2		
3 PLACES		± 0.2	CHK'D BY	DATE		
2 PLACES		± 0.2	HIJIMA	2016/01/05		
1 PLACE	± 0.2	APPR BY	DATE	PRODUCT CUSTOMER DRAWING		
0 PLACES	± 0.2	YNOGAWA	2016/01/05	SERIES	MATERIAL NUMBER	
DRAFT WHERE APPLICABLE MUST REMAIN WITHIN DIMENSIONS		DRAWING SIZE	THIRD ANGLE PROJECTION	501912	SEE TABLE	
A	REV	A3		DOCUMENT NUMBER	DOC TYPE	
				5019121000	PSD	
				DOC PART	SHEET NUMBER	
				000	2 OF 2	