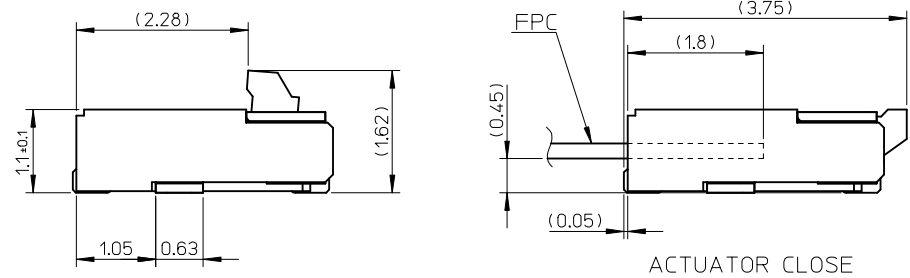


SECTION Z-Z SECTION Y-Y



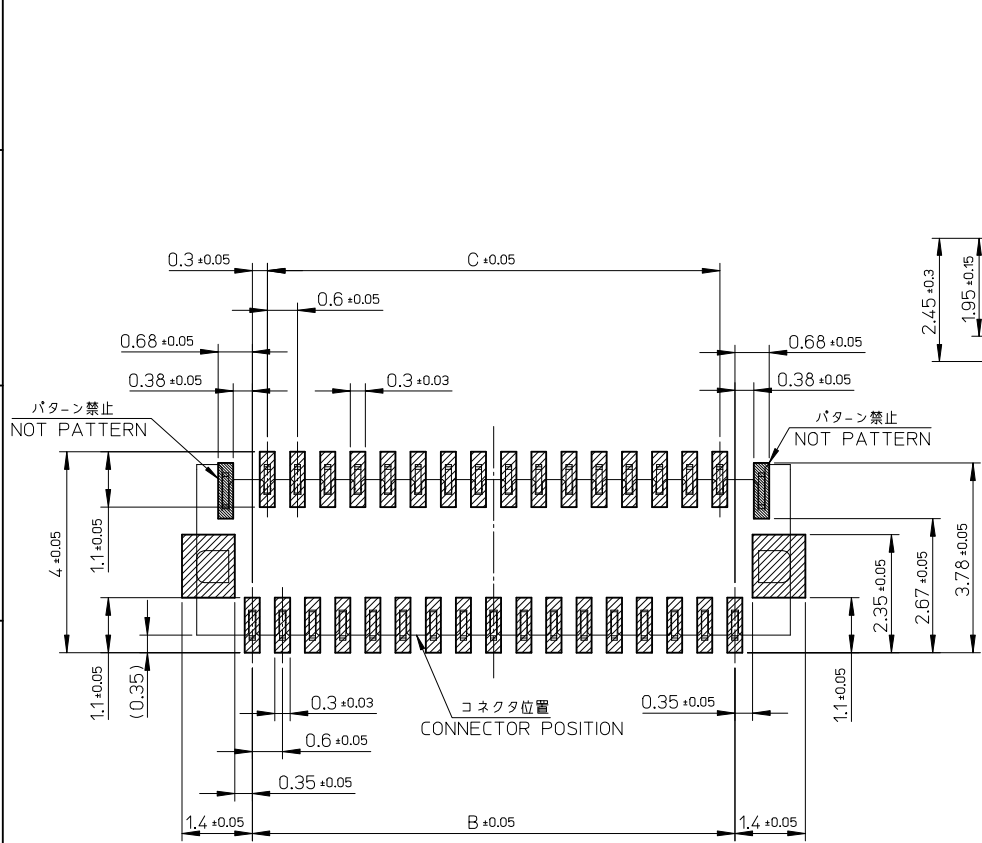
ACTUATOR CLOSE

部品構成

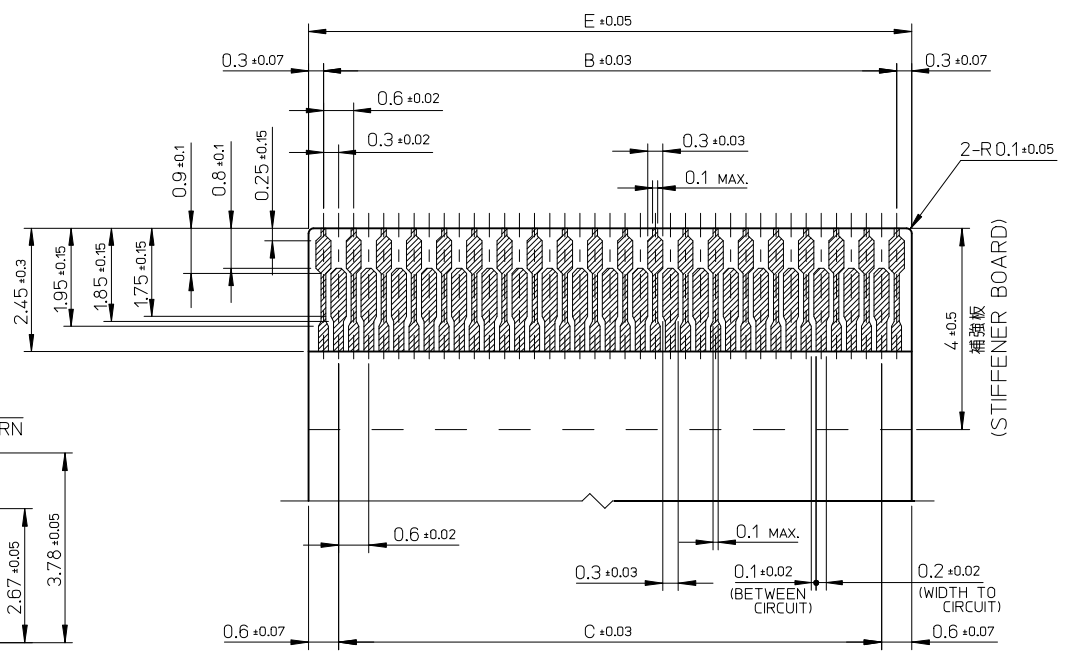
- ハウジング・・・材質：耐熱性樹脂 黒色 UL94V-0
HOUSING MATERIAL :HEAT RESISTANT POLYMER BLACK UL94-V0
- 奇数ターミナル・・・材質：銅合金
ODD TERMINAL MATERIAL :COPPER ALLOY
処理：ニッケル下地部分金メッキ（接触部及びテール部）
FINISH :PARTLY GOLD(CONTACT,TAIL) OVER NICKEL PLATING
- 偶数ターミナル・・・材質：銅合金
EVEN TERMINAL MATERIAL:COPPER ALLOY
処理：ニッケル下地部分金メッキ（接触部及びテール部）
FINISH :PARTLY GOLD(CONTACT,TAIL) OVER NICKEL PLATING
- アクチュエータ・・・材質：耐熱性樹脂 灰色 UL94V-0
ACTUATOR MATERIAL :HEAT RESISTANT POLYMER GRAY UL94-V0
- ネイル・・・材質：銅合金
NAIL MATERIAL:COPPER ALLOY
処理：ニッケル下地すずめっき
FINISH :TIN OVER NICKEL PLATING

9.0	9.2	7.8	8.4	10.6	501616-2975	501616-2940	29
8.4	8.6	7.2	7.8	10.0	501616-2775	501616-2740	27
7.8	8.0	6.6	7.2	9.4	501616-2575	501616-2540	25
6.0	6.2	4.8	5.4	7.6	501616-1975	501616-1940	19
E	D	(C)	(B)	A	EMBOSSED TAPE ORDER No.		MATERIAL NO. CIRCUIT

REVISED EC NO: J2015-1263 DRWN: TAKAHASHI 04 2015/03/27 CHKD: TAKAHASHI 2015/03/27 APPR: YNOGAWA 2015/03/30	DESCRIPTION	GENERAL TOLERANCES (UNLESS SPECIFIED)	DIMENSION STYLE	SCALE	DESIGN UNITS	THIRD ANGLE PROJECTION
		0.25 UNDER ±0.03	MM ONLY	15:1	METRIC	
		0.25 OVER 0.5 UNDER ±0.05	DRAWN BY DATE	TITLE		
		0.5 OVER 1.0 UNDER ±0.1	CHECKED BY DATE	0.3 FPC CONN. ZIF E/O HSG ASSY (H=1.1)		
		1.0 OVER 10 UNDER ±0.2	APPROVED BY DATE	DOCUMENT NO. SHEET NO.		
	10 OVER 30 UNDER ±0.25	MATERIAL NO.	SEE CHART			SD-501616-005 1 OF 2
	30 OVER ±0.3		THIS DRAWING CONTAINS INFORMATION THAT IS PROPRIETARY TO MOLEX INCORPORATED AND SHOULD NOT BE USED WITHOUT WRITTEN PERMISSION			
	ANGULAR ±3 °					
	DRAFT WHERE APPLICABLE MUST REMAIN WITHIN DIMENSIONS					



参考基板レイアウト (マウント面)
P.C. BOARD PATTERN
DIM.(REF.)



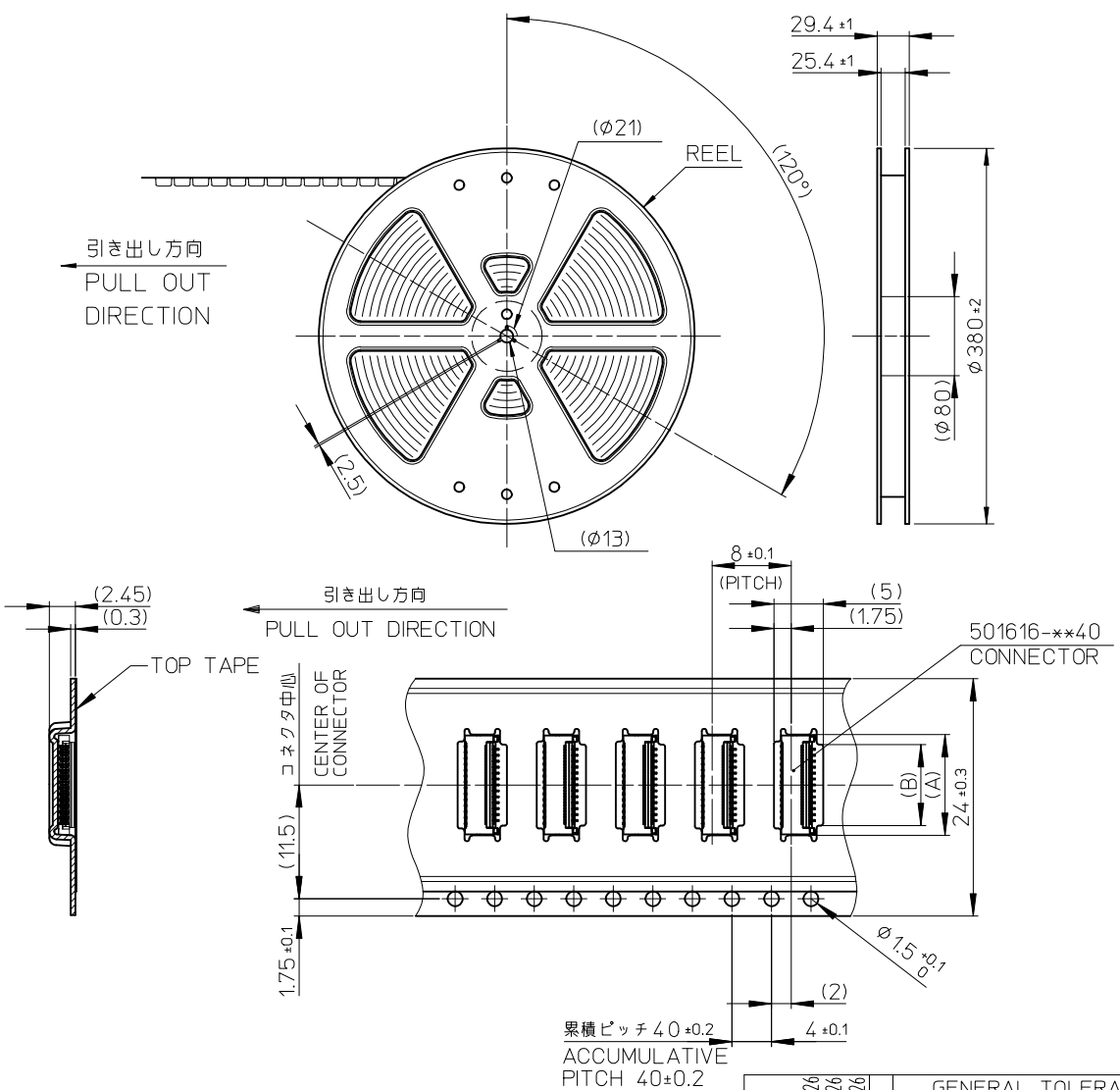
適合FPC推奨寸法
仕上がり厚さ : 0.2±0.03
APPLY FPC
RECOMMENDED DIM.
THICKNESS : 0.2±0.03

9.0	7.8	8.4	501616-2975	501616-2940	29
8.4	7.2	7.8	501616-2775	501616-2740	27
7.8	6.6	7.2	501616-2575	501616-2540	25
6.0	4.8	5.4	501616-1975	501616-1940	19
E	C	B	EMBOSSD TAPE ORDER No.	MATERIAL NO.	CIRCUIT

注記

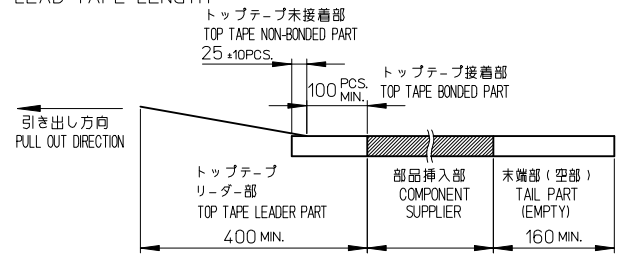
- 基板実装前にアクチュエータを操作しないで下さい。
PLEASE DO NOT OPERATE THE ACTUATOR BEFORE MOUNTING.
必ず基板に実装し、FPCを挿入してからアクチュエータを操作して下さい。
PLEASE OPERATE THE ACTUATOR AFTER MOUNTING ON THE SUBSTRATE AND MATING FPC.
- ELV及びRoHS適合品
ELV AND RoHS COMPLIANT
- 本製品は上面接触品です。下面接続で使用しないでください。
THIS CONNECTOR IS UPPER CONTACT TYPE.
PLEASE DO NOT USE AS LOWER CONTACT TYPE.

REVISED EC NO: J2015-1263 DRWN:MTAKAHASHI 04/2015/03/27 CHKD:K TAKAHASHI 2015/03/27 APPR: YNOGAWA 2015/03/30	DESCRIPTION	GENERAL TOLERANCES (UNLESS SPECIFIED)	DIMENSION STYLE	SCALE	DESIGN UNITS	THIRD ANGLE PROJECTION	TITLE 0.3 FPC CONN. ZIF E/O HSG ASSY (H=1.1)
		0.25 UNDER ±0.03	MM ONLY	10:1	METRIC		
		0.25 OVER 0.5 UNDER ±0.05	DRAWN BY DATE	MATERIAL NO. DOCUMENT NO.			
		0.5 OVER 1.0 UNDER ±0.1	K. TAKAHASHI 2006/07/28	SEE CHART SD-501616-005			
	1.0 OVER 10 UNDER ±0.2	1.0 OVER 30 UNDER ±0.25	CHECKED BY DATE	SHEET NO.			2 OF 2
	30 OVER ±0.3	ANGULAR ±3 °	APPROVED BY DATE	MATERIAL NO. DOCUMENT NO.			
	DRAFT WHERE APPLICABLE MUST REMAIN WITHIN DIMENSIONS		M. SASAO 2006/07/28	MATERIAL NO. DOCUMENT NO.			
A	REV		SIZE	THIS DRAWING CONTAINS INFORMATION THAT IS PROPRIETARY TO MOLEX INCORPORATED AND SHOULD NOT BE USED WITHOUT WRITTEN PERMISSION			
			A3				



NOTES

- 製品 (501616-**40) の詳細寸法については、図面 SD-501616-005 をご参照下さい。
IN THE PACKAGE, PART NO. 501616-**40 DETAILED DIMENSIONS, REFER TO SALES DRAWING NO. SD-501616-005.
- 梱包数量 : 3000個/リール
NUMBER OF CONNECTORS : 3000 PCS/REEL
- リードテープ長さ
LEAD TAPE LENGTH



- 材料
キャリアテープ : ポリスチレン (PS)
トップテープ : PET, PE, PEF
リール : ポリスチレン (PS) <リサイクル材を含む>
MATERIAL
CARRIER TAPE : POLYSTYRENE (PS)
TOP TAPE : PET, PE, PEF
REEL : POLYSTYRENE (PS) <RECYCLE MATERIAL CONTAINED>
- ELV及びRoHS適合品
ELV AND RoHS COMPLIANT

8.8	10.8	501616-2975	29
8.2	10.2	501616-2775	27
7.6	9.6	501616-2575	25
5.8	7.8	501616-1975	19
B	A	EMBOSSED PACKAGE オーダー番号 ORDER No.	極数 CIRCUIT

エンボステープ内の製品の向き
DIRECTION OF CONNECTOR IN
EMBOSSD TAPE

REVISED EC NO: J2009-1784 DRWN:MKAWABATA 2009/01/26 CHKD:HSHIINOYAMA 2009/01/26 APPR:HSHIINOYAMA 2009/01/26 REV A	GENERAL TOLERANCES (UNLESS SPECIFIED)		DIMENSION STYLE MM ONLY		SCALE ---	DESIGN UNITS METRIC		THIRD ANGLE PROJECTION	
	10 UNDER	± ---	DRAWN BY K. TAKAHASHI	DATE 2006/7/28	TITLE 0.3 FPC CONN. B/F EMBSTP PKG H=1.1				
	10 OVER 30 UNDER	± ---	CHECKED BY H. HIRATA	DATE 2006/7/28	MOLEX INCORPORATED				
	30 OVER	± ---	APPROVED BY M. SASAO	DATE 2006/7/28					
ANGULAR ± --- °		MATERIAL NO. SEE CHART		DOCUMENT NO. SD-501616-006		SHEET NO. 1 OF 1			
DRAFT WHERE APPLICABLE MUST REMAIN WITHIN DIMENSIONS		THIS DRAWING CONTAINS INFORMATION THAT IS PROPRIETARY TO MOLEX INCORPORATED AND SHOULD NOT BE USED WITHOUT WRITTEN PERMISSION							