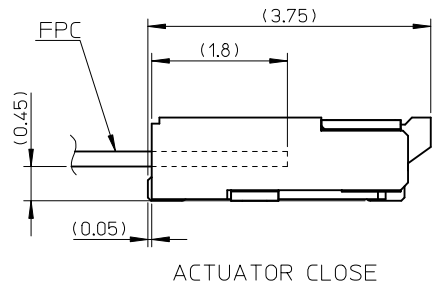
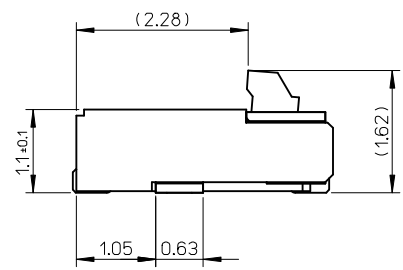


SECTION Z-Z SECTION Y-Y



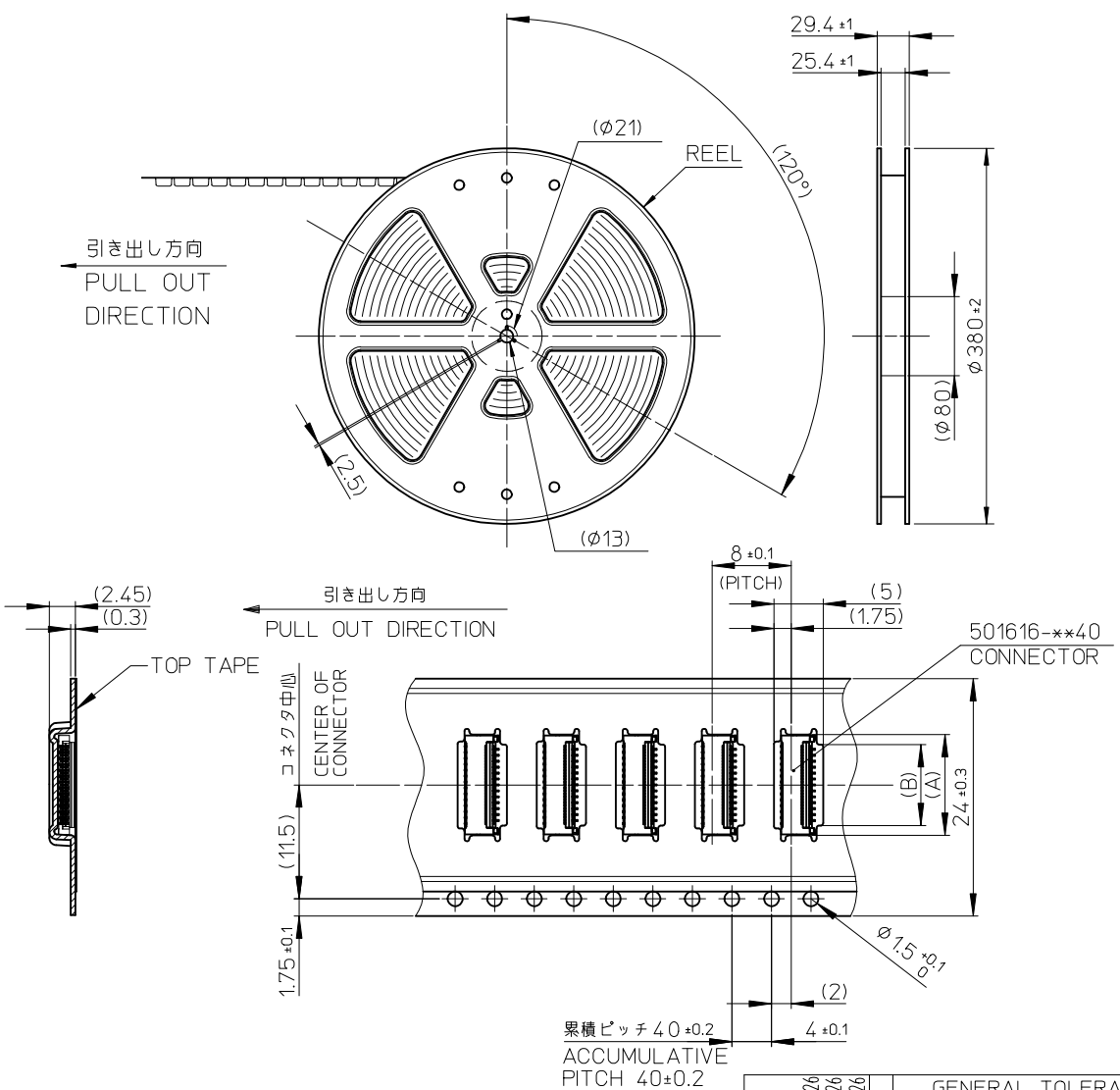
ACTUATOR CLOSE

部品構成

- ハウジング・・・材質：耐熱性樹脂 黒色 UL94V-0
HOUSING MATERIAL :HEAT RESISTANT POLYMER BLACK UL94-V0
- 奇数ターミナル・・・材質：銅合金
ODD TERMINAL MATERIAL :COPPER ALLOY
処理：ニッケル下地部分金メッキ（接触部及びテール部）
FINISH :PARTLY GOLD(CONTACT,TAIL) OVER NICKEL PLATING
- 偶数ターミナル・・・材質：銅合金
EVEN TERMINAL MATERIAL:COPPER ALLOY
処理：ニッケル下地部分金メッキ（接触部及びテール部）
FINISH :PARTLY GOLD(CONTACT,TAIL) OVER NICKEL PLATING
- アクチュエータ・・・材質：耐熱性樹脂 灰色 UL94V-0
ACTUATOR MATERIAL :HEAT RESISTANT POLYMER GRAY UL94-V0
- ネイル・・・材質：銅合金
NAIL MATERIAL:COPPER ALLOY
処理：ニッケル下地すずめっき
FINISH :TIN OVER NICKEL PLATING

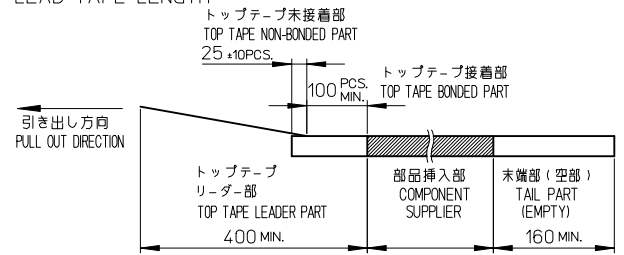
9.0	9.2	7.8	8.4	10.6	501616-2975	501616-2940	29
8.4	8.6	7.2	7.8	10.0	501616-2775	501616-2740	27
7.8	8.0	6.6	7.2	9.4	501616-2575	501616-2540	25
6.0	6.2	4.8	5.4	7.6	501616-1975	501616-1940	19
E	D	(C)	(B)	A	EMBOSSED TAPE	MATERIAL NO.	CIRCUIT
					ORDER No.		

REVISED EC NO: J2015-1263 DRWN: TAKAHASHI 04 2015/03/27 CHKD: TAKAHASHI 2015/03/27 APPR: YNOGAWA 2015/03/30	GENERAL TOLERANCES (UNLESS SPECIFIED)		DIMENSION STYLE		SCALE	DESIGN UNITS	THIRD ANGLE PROJECTION
	0.25 UNDER ±0.03		MM ONLY		15:1	METRIC	
	0.25 OVER	0.5 UNDER	DRAWN BY DATE		TITLE		
	±0.05		K. TAKAHASHI 2006/07/28		0.3 FPC CONN. ZIF E/O HSG ASSY (H=1.1)		
	0.5 OVER	1.0 UNDER	CHECKED BY DATE				
±0.1		H. HIRATA 2006/07/28					
1.0 OVER	10 UNDER	APPROVED BY DATE					
±0.2		M. SASAO 2006/07/28					
10 OVER	30 UNDER	MATERIAL NO.		DOCUMENT NO.			
±0.25		SEE CHART		SD-501616-005			
30 OVER		SIZE		SHEET NO.			
±0.3		A3		1 OF 2			
DRAFT WHERE APPLICABLE MUST REMAIN WITHIN DIMENSIONS				THIS DRAWING CONTAINS INFORMATION THAT IS PROPRIETARY TO MOLEX INCORPORATED AND SHOULD NOT BE USED WITHOUT WRITTEN PERMISSION			



NOTES

- 製品 (501616-**40) の詳細寸法については、図面 SD-501616-005 をご参照下さい。
IN THE PACKAGE, PART NO. 501616-**40 DETAILED DIMENSIONS, REFER TO SALES DRAWING NO. SD-501616-005.
- 梱包数量 : 3000個/リール
NUMBER OF CONNECTORS : 3000 PCS/REEL
- リードテープ長さ
LEAD TAPE LENGTH



- 材料
キャリアテープ : ポリスチレン (PS)
トップテープ : PET, PE, PEF
リール : ポリスチレン (PS) <リサイクル材を含む>
MATERIAL
CARRIER TAPE : POLYSTYRENE (PS)
TOP TAPE : PET, PE, PEF
REEL : POLYSTYRENE (PS) <RECYCLE MATERIAL CONTAINED>
- ELV及びRoHS適合品
ELV AND RoHS COMPLIANT

8.8	10.8	501616-2975	29
8.2	10.2	501616-2775	27
7.6	9.6	501616-2575	25
5.8	7.8	501616-1975	19
B	A	EMBOSSD PACKAGE オーダー番号 ORDER No.	極数 CIRCUIT

エンボステープ内の製品の向き
DIRECTION OF CONNECTOR IN
EMBOSSD TAPE

REVISED EC NO: J2009-1784 DRWN:MKAWABATA 2009/01/26 CHKD:HSHINOYAMA 2009/01/26 APPR:HSHINOYAMA 2009/01/26 REV A	GENERAL TOLERANCES (UNLESS SPECIFIED)	DIMENSION STYLE MM ONLY	SCALE ---	DESIGN UNITS METRIC	THIRD ANGLE PROJECTION
	10 UNDER ± ---	DRAWN BY K. TAKAHASHI	DATE 2006/7/28	TITLE 0.3 FPC CONN. B/F EMBSTP PKG H=1.1	
	10 OVER 30 UNDER ± ---	CHECKED BY H. HIRATA	DATE 2006/7/28	MOLEX INCORPORATED	
	30 OVER ± ---	APPROVED BY M. SASAO	DATE 2006/7/28	DOCUMENT NO. SD-501616-006	SHEET NO. 1 OF 1
ANGULAR ± --- °	DRAFT WHERE APPLICABLE MUST REMAIN WITHIN DIMENSIONS		SEE CHART		
SIZE A3	THIS DRAWING CONTAINS INFORMATION THAT IS PROPRIETARY TO MOLEX INCORPORATED AND SHOULD NOT BE USED WITHOUT WRITTEN PERMISSION				