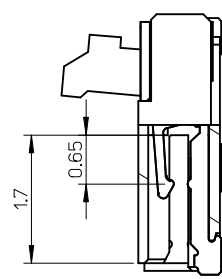
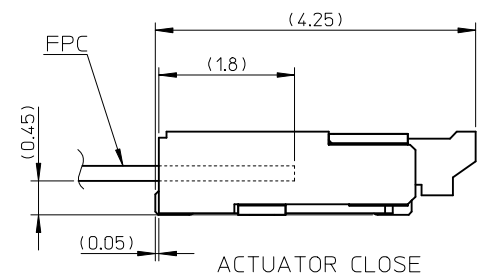
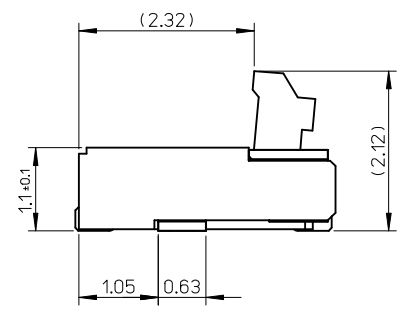
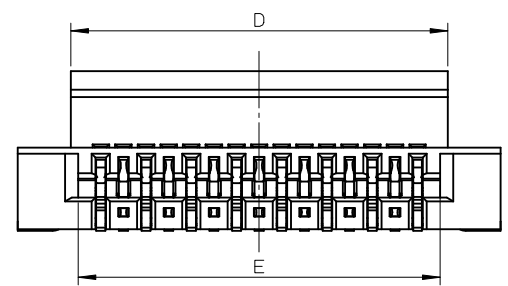


SECTION Z-Z



SECTION Y-Y

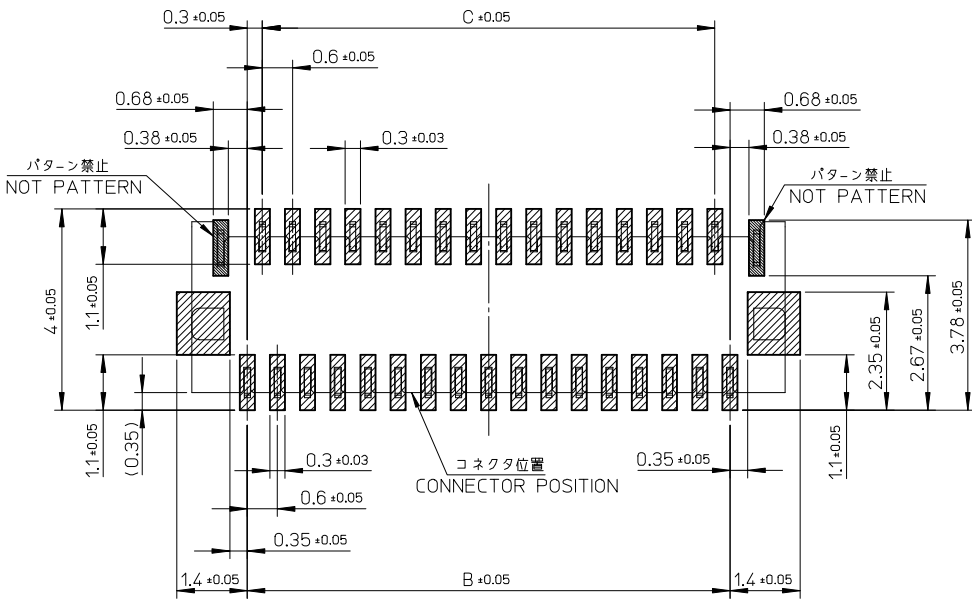


ACTUATOR CLOSE

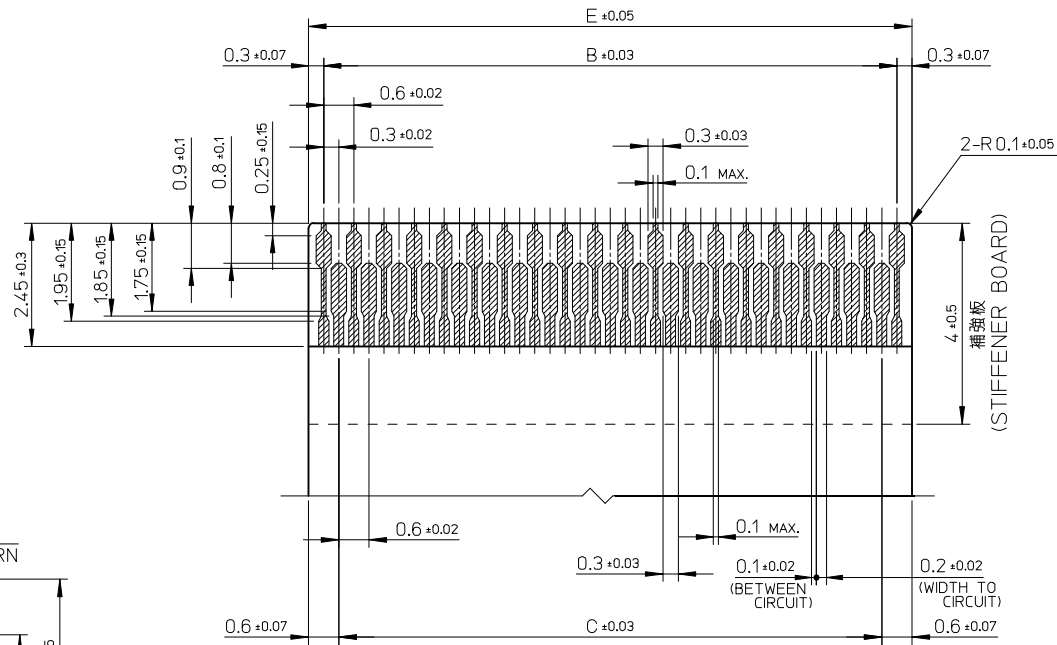
15.6	15.8	14.4	15.0	17.2	501616-5185	501616-5150	51
13.8	14.0	12.6	13.2	15.4	501616-4585	501616-4550	45
12.6	12.8	11.4	12.0	14.2	501616-4185	501616-4150	41
12.0	12.2	10.8	11.4	13.6	501616-3985	501616-3950	39
10.8	11.0	9.6	10.2	12.4	501616-3585	501616-3550	35
E	D	(C)	(B)	A	EMBOSSED TAPE ORDER No.		MATERIAL NO. CIRCUIT

- 部品構成
- ハウジング・・・材質：耐熱性樹脂 黒色 UL94V-0
HOUSING MATERIAL :HEAT RESISTANT POLYMER BLACK UL94-V0
 - 奇数ターミナル・・・材質：銅合金
ODD TERMINAL MATERIAL :COPPER ALLOY
処理：ニッケル下地部分金メッキ（接触部及びテール部）
FINISH :PARTLY GOLD(CONTACT,TAIL) OVER NICKEL PLATING
 - 偶数ターミナル・・・材質：銅合金
EVEN TERMINAL MATERIAL:COPPER ALLOY
処理：ニッケル下地部分金メッキ（接触部及びテール部）
FINISH :PARTLY GOLD(CONTACT,TAIL) OVER NICKEL PLATING
 - アクチュエータ・・・材質：耐熱性樹脂 灰色 UL94V-0
ACTUATOR MATERIAL :HEAT RESISTANT POLYMER GRAY UL94-V0
 - ネイル・・・材質：銅合金
NAIL MATERIAL:COPPER ALLOY
処理：ニッケル下地すずめっき
FINISH :TIN OVER NICKEL PLATING

REVISED EC NO: J2015-1263 DRAWN:TAKAHASHI 2015/03/27 CHKD:KATAHASHI 2015/03/27 APPR:YNOGAWA 2015/03/30	DESCRIPTION	GENERAL TOLERANCES (UNLESS SPECIFIED)	DIMENSION STYLE	SCALE	DESIGN UNITS	THIRD ANGLE PROJECTION
		0.25 UNDER ±0.03	MM ONLY	15:1	METRIC	
		0.25 OVER 0.5 UNDER ±0.05	DRAWN BY DATE			TITLE
		0.5 OVER 1.0 UNDER ±0.1	K.SATO 2007/01/26	CHECKED BY DATE		0.3 FPC CONN. E/O H=1.1 HSG ASSY LONG ACTUATOR
		1.0 OVER 10 UNDER ±0.2	H.HIRATA 2007/01/26	APPROVED BY DATE		
	10 OVER 30 UNDER ±0.25	M.SASAO 2007/01/26	MATERIAL NO.		DOCUMENT NO.	SHEET NO.
	30 OVER ±0.3		SEE CHART		SD-501616-007	1 OF 2
	ANGULAR ±3 °					
		DRAFT WHERE APPLICABLE MUST REMAIN WITHIN DIMENSIONS	SIZE	THIS DRAWING CONTAINS INFORMATION THAT IS PROPRIETARY TO MOLEX INCORPORATED AND SHOULD NOT BE USED WITHOUT WRITTEN PERMISSION		
			A3			



参考基板レイアウト(マウント面)
P.C.BOARD PATTERN
DIM.(REF.)



適合FPC推奨寸法
仕上がり厚さ : 0.2±0.03
APPLY FPC
RECOMMENDED DIM.
THICKNESS : 0.2±0.03

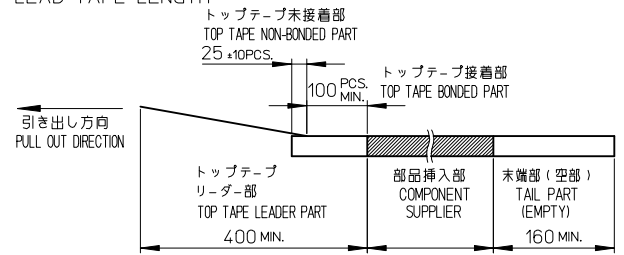
15.6	14.4	15.0	501616-5185	501616-5150	51
13.8	12.6	13.2	501616-4585	501616-4550	45
12.6	11.4	12.0	501616-4185	501616-4150	41
12.0	10.8	11.4	501616-3985	501616-3950	39
10.8	9.6	10.2	501616-3585	501616-3550	35
E	C	B	EMBOSSED TAPE ORDER No.		MATERIAL NO. CIRCUIT

- 注記
- 基板実装前にアクチュエータを操作しないで下さい。
PLEASE DO NOT OPERATE THE ACTUATOR BEFORE MOUNTING.
必ず基板に実装し、FPCを挿入してからアクチュエータを操作して下さい。
PLEASE OPERATE THE ACTUATOR AFTER MOUNTING ON THE SUBSTRATE, AND MATING FPC.
 - ELV及びRoHS適合品
ELV AND RoHS COMPLIANT
 - 本製品は上面接触品です。下面接続で使用しないでください。
THIS CONNECTOR IS UPPER CONTACT TYPE.
PLEASE DO NOT USE AS LOWER CONTACT TYPE.

REVISED EC NO: J2015-1263 DRWN:MTAKAHASHI 04/2015/03/27 CHKD:K.TAKAHASHI 2015/03/27 APPR:YNOGAWA 2015/03/30	GENERAL TOLERANCES (UNLESS SPECIFIED)		DIMENSION STYLE MM ONLY		SCALE 10:1	DESIGN UNITS METRIC	THIRD ANGLE PROJECTION
	0.25 UNDER	±0.03	DRAWN BY	DATE	TITLE		
	0.25 OVER 0.5 UNDER	±0.05	K.SATO	2007/01/26	0.3 FPC CONN. E/O H=1.1 HSG ASSY LONG ACTUATOR		
	0.5 OVER 1.0 UNDER	±0.1	CHECKED BY	DATE			
1.0 OVER 10 UNDER	±0.2	H.HIRATA	2007/01/26				
10 OVER 30 UNDER	±0.25	APPROVED BY	DATE	DOCUMENT NO.			
30 OVER	±0.3	M.SASAO	2007/01/26	SD-501616-007			
ANGULAR ±3 °		MATERIAL NO.		SHEET NO.			
DRAFT WHERE APPLICABLE MUST REMAIN WITHIN DIMENSIONS		SIZE A3		SEE CHART			2 OF 2
THIS DRAWING CONTAINS INFORMATION THAT IS PROPRIETARY TO MOLEX INCORPORATED AND SHOULD NOT BE USED WITHOUT WRITTEN PERMISSION							

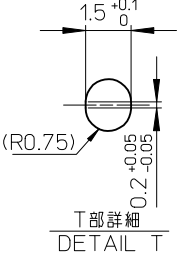
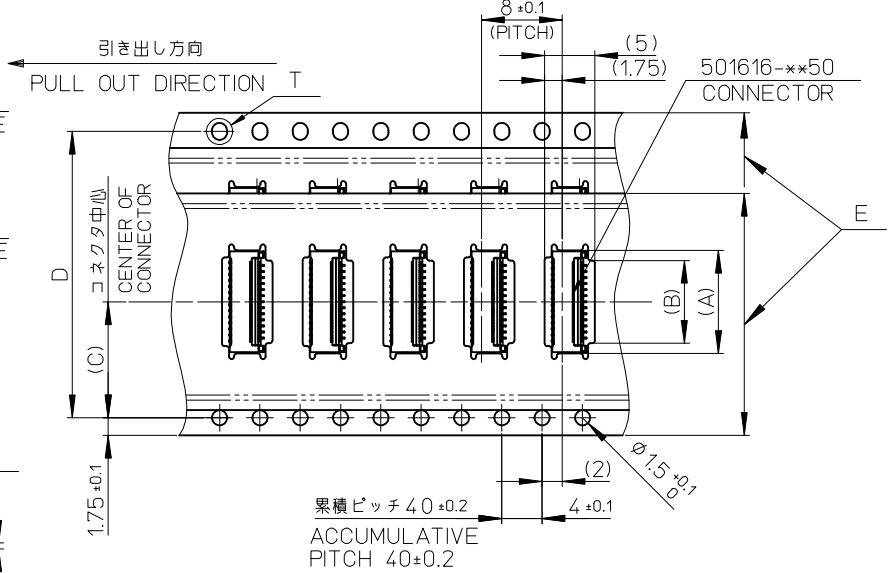
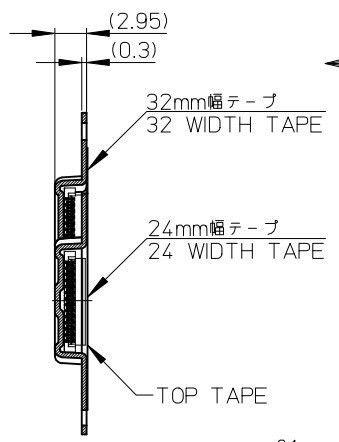
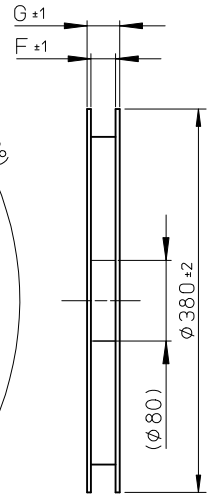
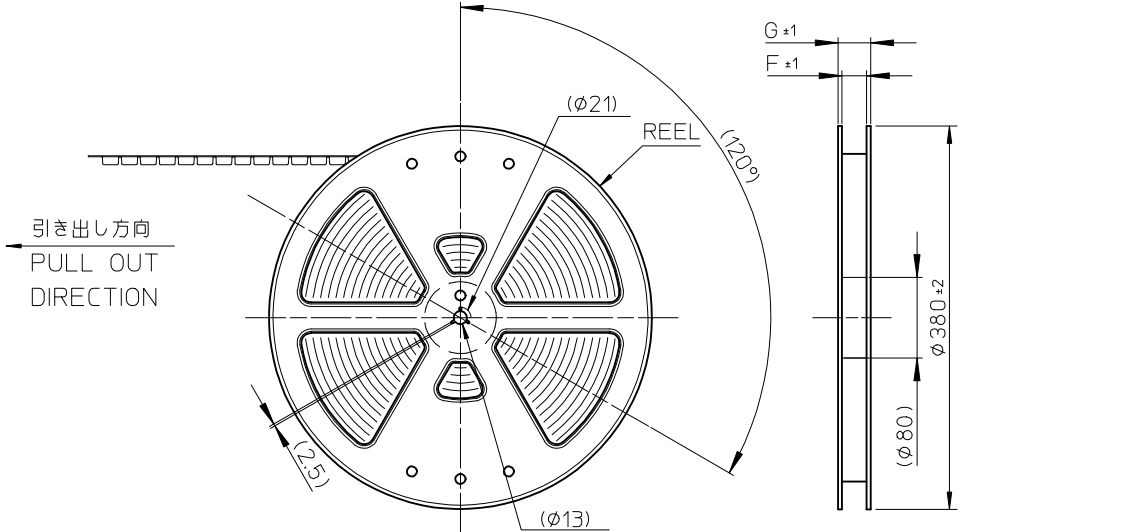
NOTES

- 製品 (501616-**-**50) の詳細寸法については、図面 SD-501616-007 をご参照下さい。
IN THE PACKAGE, PART NO. 501616-**-**50 DETAILED DIMENSIONS, REFER TO SALES DRAWING NO. SD-501616-007.
- 梱包数量 : 3000個/リール
NUMBER OF CONNECTORS : 3000 PCS/REEL
- リードテープ長さ
LEAD TAPE LENGTH



- 材料
キャリアテープ : ポリスチレン (PS)
トップテープ : PET, PE, PEF
リール : ポリスチレン (PS) <リサイクル材を含む>
MATERIAL
CARRIER TAPE : POLYSTYRENE (PS)
TOP TAPE : PET, PE, PEF
REEL : POLYSTYRENE (PS) <RECYCLE MATERIAL CONTAINED>
- ELV及びRoHS適合品
ELV AND RoHS COMPLIANT

37.4	33.4	32±0.3	28.4	14.2	15.4	17.4	501616-5185	51
					13.6	15.6	501616-4585	45
29.4	25.4	24±0.3	±	11.5	12.4	14.4	501616-4185	41
					11.8	13.8	501616-3985	39
					10.6	12.6	501616-3585	35
G	F	E キャリアテープ幅 EMBOSSED TAPE WIDTH	D	C	B	A	EMBOSSED PACKAGE オーダー番号 ORDER No.	極数 CIRCUIT



エンボステープ内の製品の向き
DIRECTION OF CONNECTOR IN EMBOSSED TAPE

REVISED	EC NO: J2009-1784	DRWN:MKAWABATA 2009/01/26	CHKD:HSHIROYAMA 2009/01/26	APPR:HSHIROYAMA 2009/01/26	GENERAL TOLERANCES (UNLESS SPECIFIED)
	10 UNDER	± ---			
	10 OVER 30 UNDER	± ---			
	30 OVER	± ---			
	ANGULAR ± --- °				
	DRAFT WHERE APPLICABLE MUST REMAIN WITHIN DIMENSIONS				

DIMENSION STYLE MM ONLY		SCALE ---	DESIGN UNITS METRIC	THIRD ANGLE PROJECTION
DRAWN BY K. SATO	DATE 2007/05/14	TITLE 0.3 FPC CONN. H=1.1 EMBSTP PKG (LONG-ACT)		
CHECKED BY H. HIRATA	DATE 2007/05/14	MOLEX INCORPORATED		
APPROVED BY M. SASAO	DATE 2007/05/14	DOCUMENT NO. SD-501616-008	SHEET NO. 1 OF 1	
THIS DRAWING CONTAINS INFORMATION THAT IS PROPRIETARY TO MOLEX INCORPORATED AND SHOULD NOT BE USED WITHOUT WRITTEN PERMISSION				