

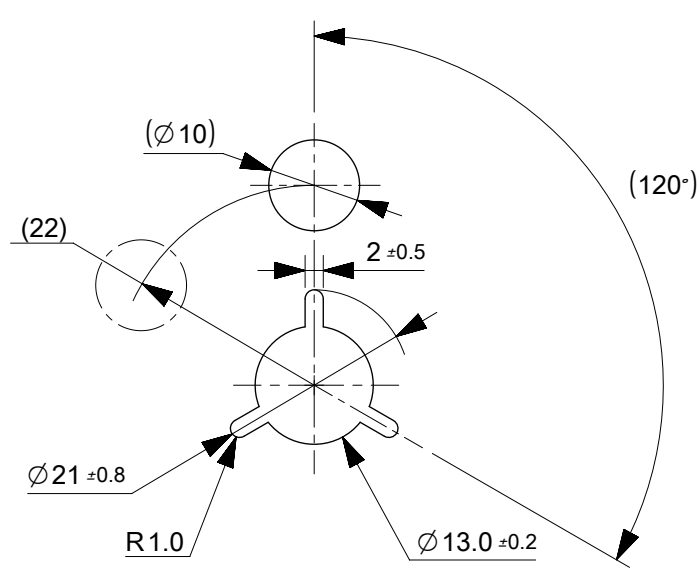
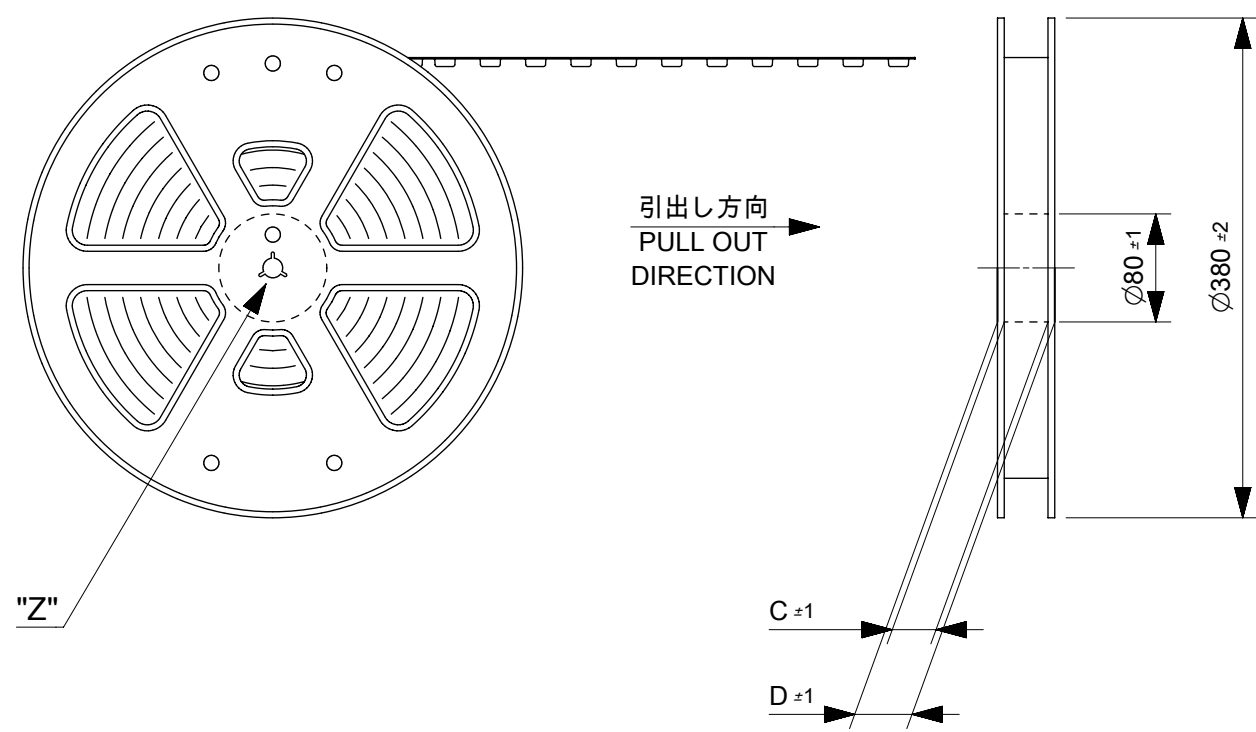
E

D

C

B

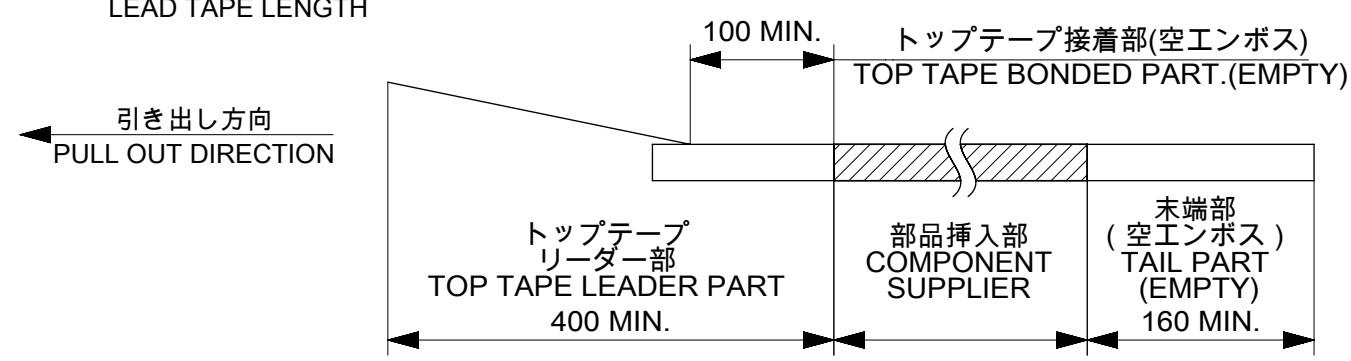
A



DETAIL "Z"

NOTES

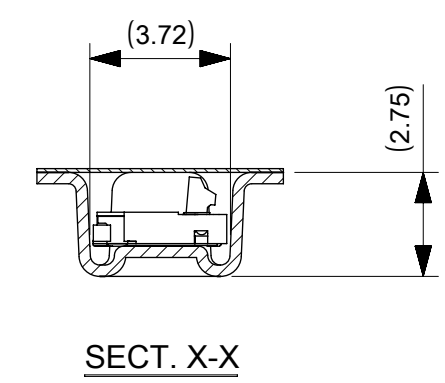
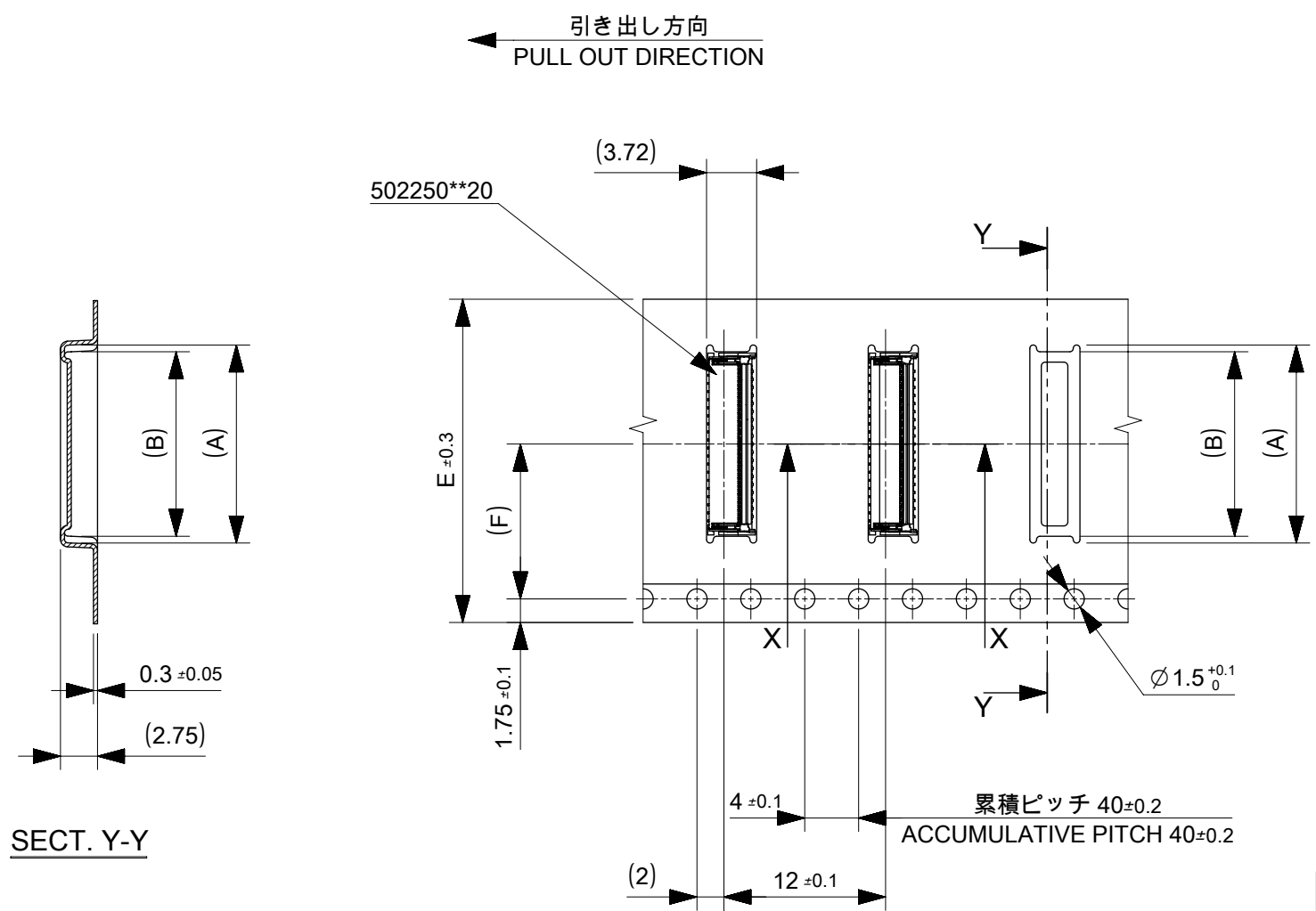
- 製品 ( 502250\*\*20 ) の詳細寸法については、  
図面 5022501000 DOC.PART 000 をご参照ください  
IN THE PACKAGE, PART NO. 502250\*\*20 DETAILED DIMENSIONS,  
REFER TO SALES DRAWING NO. 5022501000 DOC.PART 000.
- 梱包数量 : 3000 個 / リール  
NUMBER OF CONNECTORS:3000 PCS/REEL
- リードテープ長さ  
LEAD TAPE LENGTH



- 材料(MATERIAL)  
キャリアテープ(CARRIER TAPE) : ポリスチレン(POLYSTYRENE)  
トップテープ(TOP TAPE) : PET, OTHER  
リール(REEL) : ポリスチレン(POLYSTYRENE)<リサイクル材を含む>  
<RECYCLE MATERIAL CONTAINED>
- ELV 及び RoHS適合品  
ELV AND RoHS COMPLIANT.

502250\*\*91 MODEL NO.

THIS DRAWING CONTAINS INFORMATION THAT IS PROPRIETARY TO MOLEX ELECTRONIC TECHNOLOGIES, LLC AND SHOULD NOT BE USED WITHOUT WRITTEN PERMISSION									
EC NO: 104567 DRWN: ABABU01 CHK'D: KTAKAHASHI APPR: TKUSUHARA01	2016/01/21	2016/05/09	2016/05/09	GENERAL TOLERANCES (UNLESS SPECIFIED) ANGULAR TOL ± 3.0 ° 4 PLACES ± 0.2 3 PLACES ± 0.2 2 PLACES ± 0.25 1 PLACE ± 0.3 0 PLACES ± 0.3	DIMENSION UNITS	SCALE			
					MM	NTS			
					DRWN BY	DATE	0.3 FPC CONN E/O B/F HGT =0.9MM EMBSTP PKG		
					ABABU01	2016/01/21			
					CHK'D BY	DATE	PRODUCT CUSTOMER DRAWING		
					KTAKAHASHI	2016/05/09			
			APPR BY	DATE	SERIES	MATERIAL NUMBER	CUSTOMER		
			TKUSUHARA01	2016/05/09	502250	SEE TABLE	GENERAL MARKET		
			DRAWING SIZE	THIRD ANGLE PROJECTION	DOCUMENT NUMBER		DOC TYPE	DOC PART	SHEET NUMBER
			A3		5022500000		PSD	000	1 OF 3

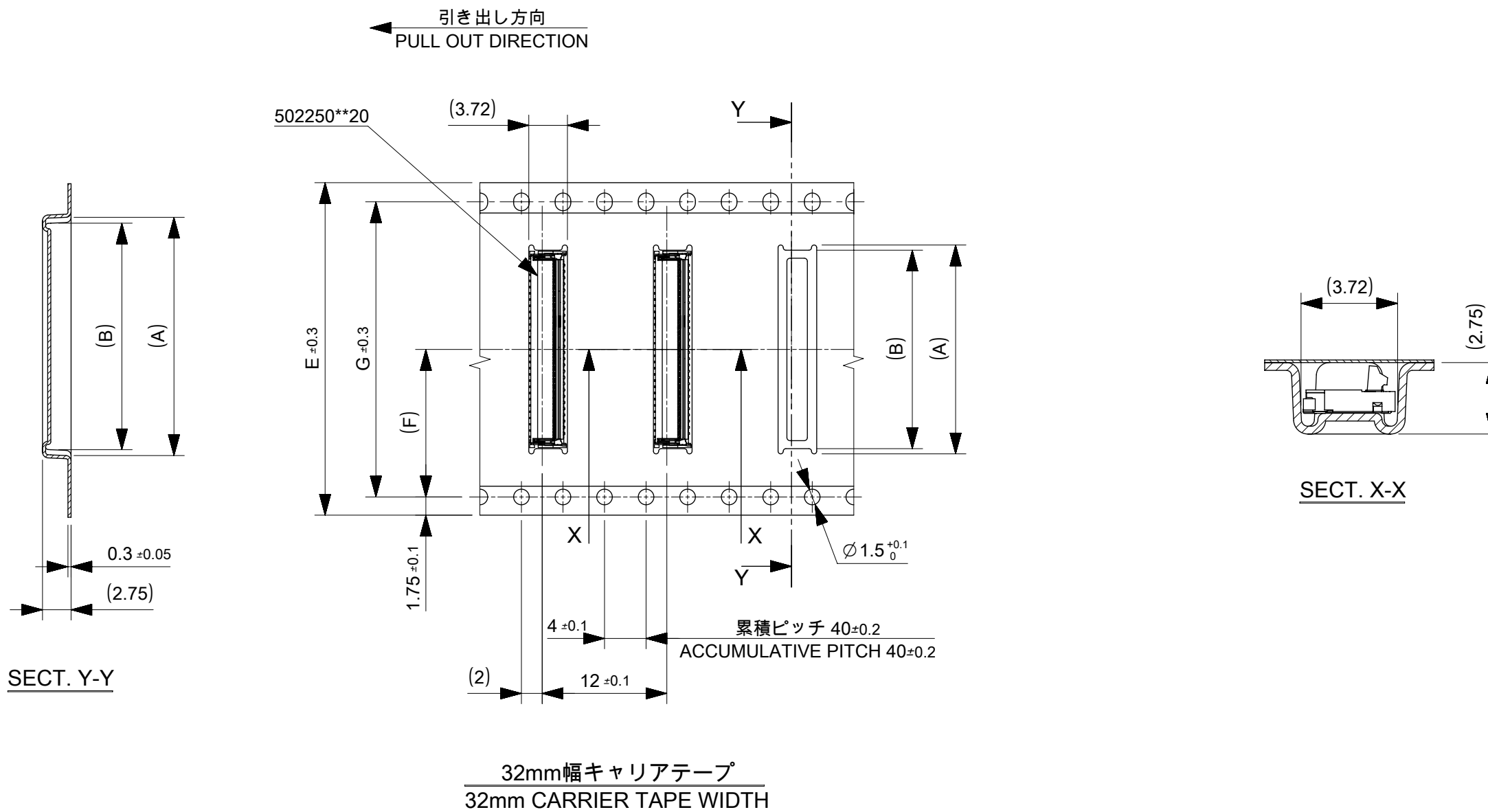


SECT. Y-Y

24	11.5	24	29.4	25.4	14.3	15.3	5022504191	41	
					13.7	14.7	5022503991	39	
					12.5	13.5	5022503591	35	
					11.9	12.9	5022503391	33	
					10.1	11.1	5022502791	27	
					8.9	9.9	5022502391	23	
16	7.5	16	21.4	17.4	8.3	9.3	5022502191	21	
					7.1	8.1	5022501791	17	
キャリアテープ幅 CARRIER TAPE WIDTH		(F)	E	D	C	(B)	(A)	製品番号 MATERIAL NO.	極数 CIRCUIT
							MODEL NO.	502250**91	

THIS DRAWING CONTAINS INFORMATION THAT IS PROPRIETARY TO MOLEX ELECTRONIC TECHNOLOGIES, LLC AND SHOULD NOT BE USED WITHOUT WRITTEN PERMISSION

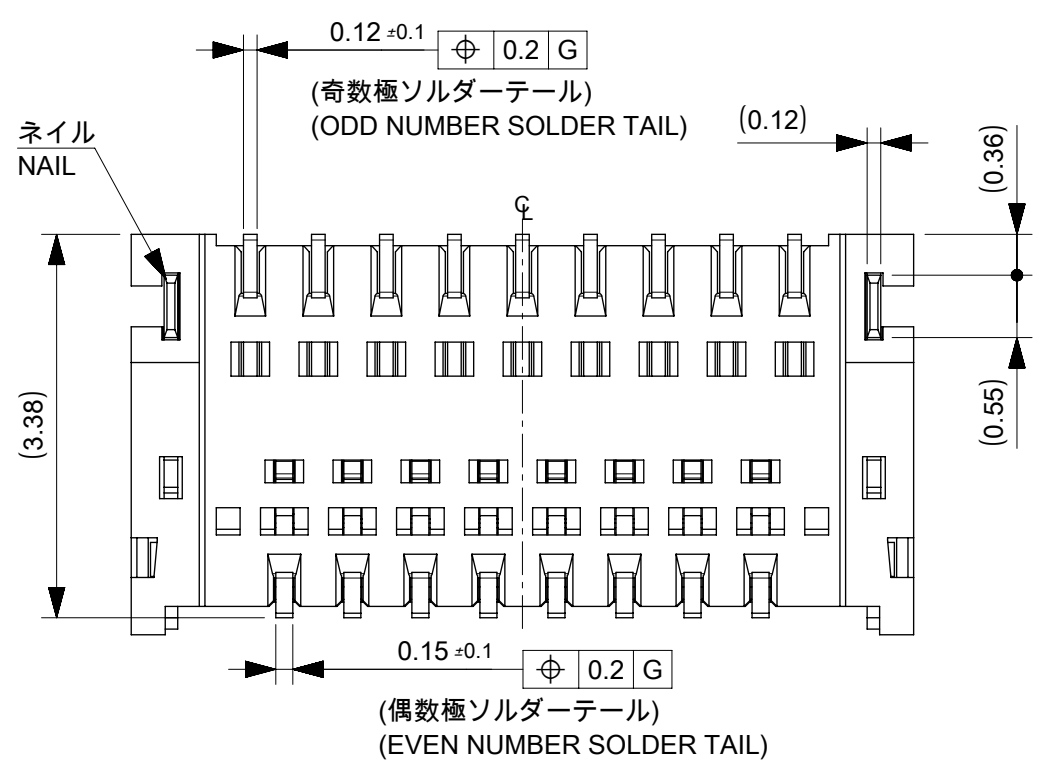
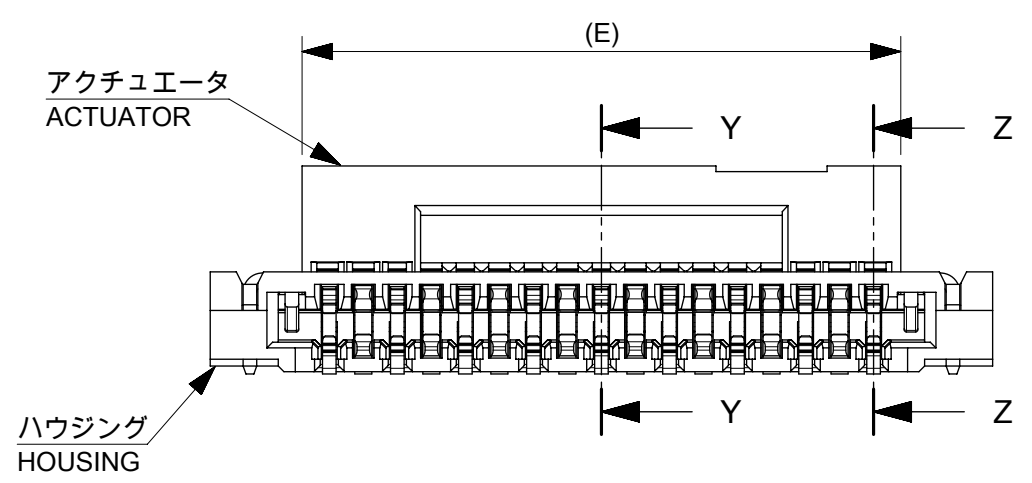
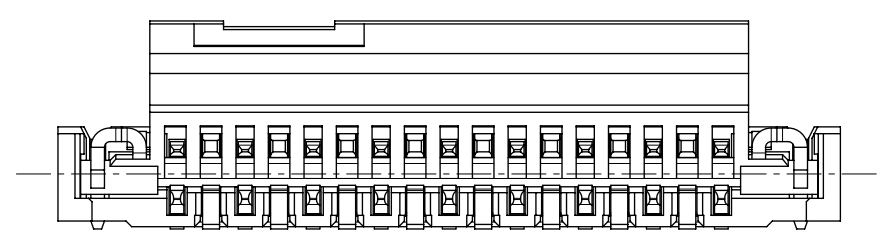
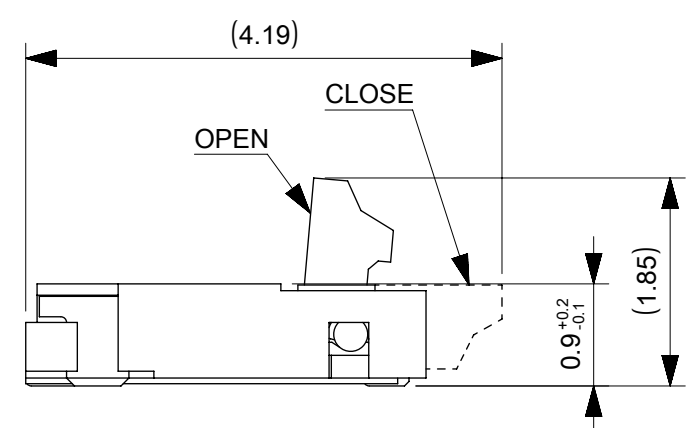
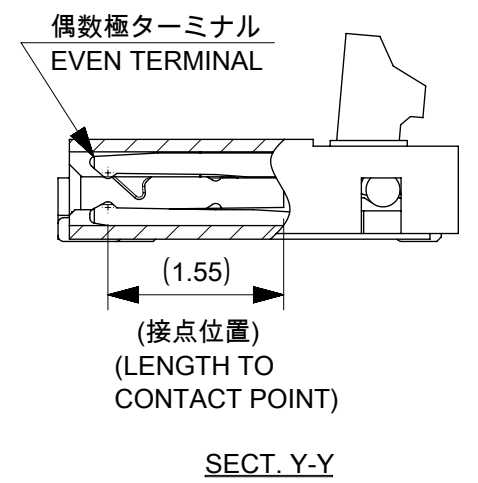
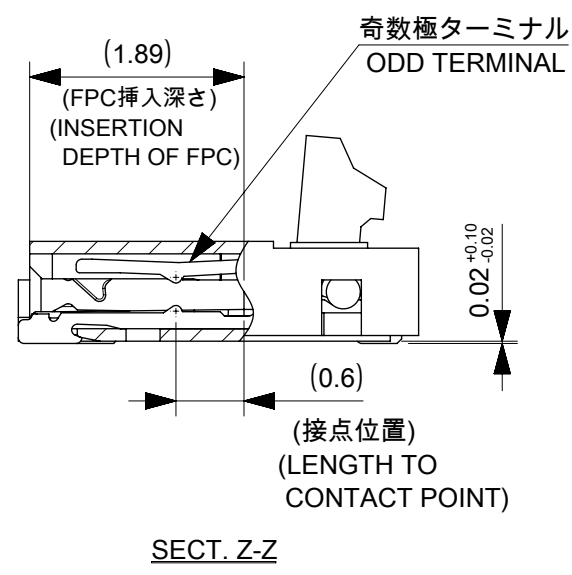
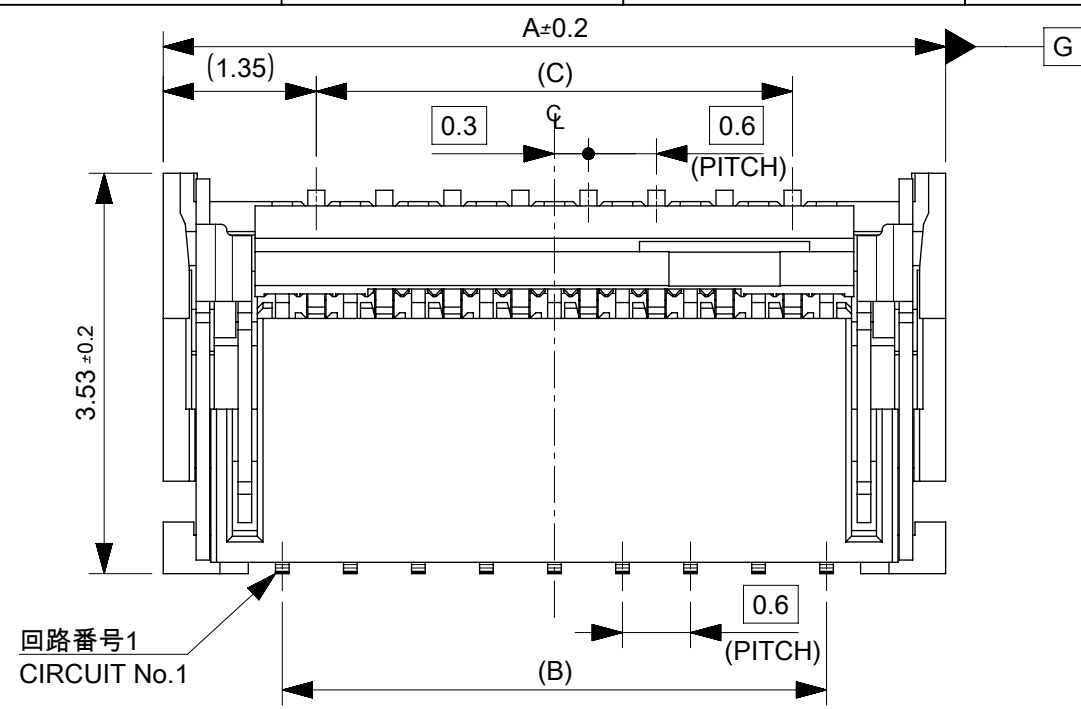
EC NO: 104567 DRWN: ABABU01 CHK'D: KTAKAHASHI APPR: TKUSUHARA01	2016/01/21	GENERAL TOLERANCES (UNLESS SPECIFIED) ANGULAR TOL ± 3.0 ° 4 PLACES ± 0.2 3 PLACES ± 0.2 2 PLACES ± 0.25 1 PLACE ± 0.3 0 PLACES ± 0.3	DIMENSION UNITS	SCALE				
	2016/05/09		MM	NTS				
	2016/05/09		DRWN BY	DATE		0.3 FPC CONN E/O B/F HGT = 0.9MM EMBSTP PKG		
			ABABU01	2016/01/21				
			CHK'D BY	DATE				
			KTAKAHASHI	2016/05/09		PRODUCT CUSTOMER DRAWING		
	APPR BY	DATE						
	TKUSUHARA01	2016/05/09	SERIES	MATERIAL NUMBER	CUSTOMER			
			502250	SEE TABLE	GENERAL MARKET			
			DRAWING SIZE	THIRD ANGLE PROJECTION	DOCUMENT NUMBER	DOC TYPE	DOC PART	SHEET NUMBER
			A3		5022500000	PSD	000	2 OF 3



32	28.4	14.2	32	37.4	33.4	17.3	18.3	5022505191	51
キャリアテープ幅 CARRIER TAPE WIDTH	G	(F)	E	D	C	(B)	(A)	製品番号 MATERIAL NO.	極数 CIRCUIT
								MODEL NO.	502250**91

THIS DRAWING CONTAINS INFORMATION THAT IS PROPRIETARY TO MOLEX ELECTRONIC TECHNOLOGIES, LLC AND SHOULD NOT BE USED WITHOUT WRITTEN PERMISSION

EC NO: 104567 DRWN: ABABU01 CHK'D: KTAKAHASHI APPR: TKUSUHARA01	2016/01/21	GENERAL TOLERANCES (UNLESS SPECIFIED) ANGULAR TOL ± 3.0 ° 4 PLACES ± 0.2 3 PLACES ± 0.2 2 PLACES ± 0.25 1 PLACE ± 0.3 0 PLACES ± 0.3	DIMENSION UNITS	SCALE				
	2016/05/09		MM	NTS				
	2016/05/09		DRWN BY	DATE		0.3 FPC CONN E/O B/F HGT = 0.9MM EMBSTP PKG		
			ABABU01	2016/01/21				
			CHK'D BY	DATE				
			KTAKAHASHI	2016/05/09		PRODUCT CUSTOMER DRAWING		
	APPR BY	DATE						
	TKUSUHARA01	2016/05/09	SERIES	MATERIAL NUMBER	CUSTOMER			
			502250	SEE TABLE	GENERAL MARKET			
			DRAWING SIZE	THIRD ANGLE PROJECTION	DOCUMENT NUMBER	DOC TYPE	DOC PART	SHEET NUMBER
			A3		5022500000	PSD	000	3 OF 3

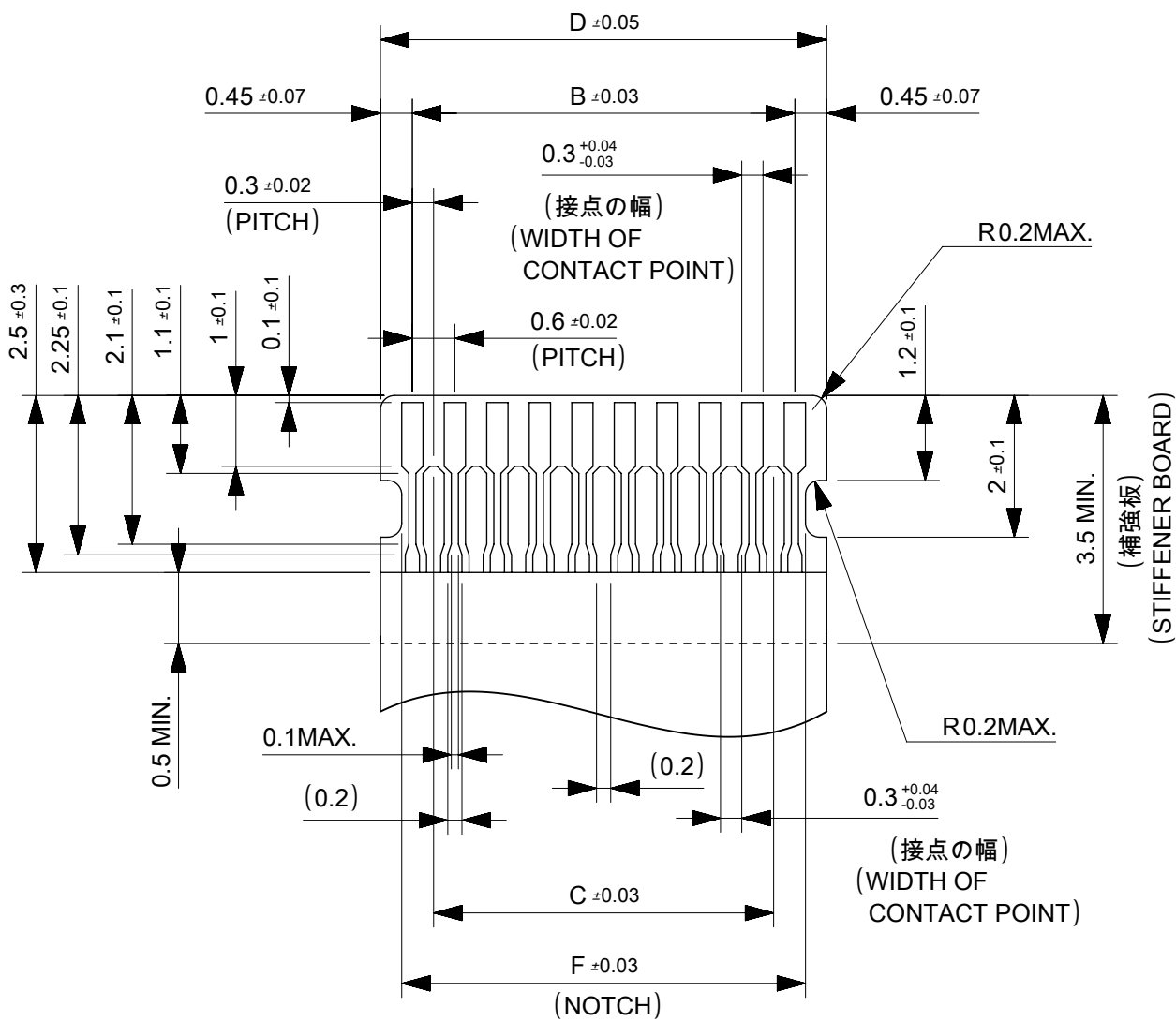


15.3	15.48	15.9	14.4	15.0	17.1	5022505191	5022505120	51
12.3	12.48	12.9	11.4	12.0	14.1	5022504191	5022504120	41
11.7	11.88	12.3	10.8	11.4	13.5	5022503991	5022503920	39
10.5	10.68	11.1	9.6	10.2	12.3	5022503591	5022503520	35
9.9	10.08	10.5	9.0	9.6	11.7	5022503391	5022503320	33
8.1	8.28	8.7	7.2	7.8	9.9	5022502791	5022502720	27
6.9	7.08	7.5	6.0	6.6	8.7	5022502391	5022502320	23
6.3	6.48	6.9	5.4	6.0	8.1	5022502191	5022502120	21
5.1	5.28	5.7	4.2	4.8	6.9	5022501791	5022501720	17
F	E	D	C	B	A	EMBOSSED TAPE PKG. ORDER NO.		MATERIAL No. CIRCUITS

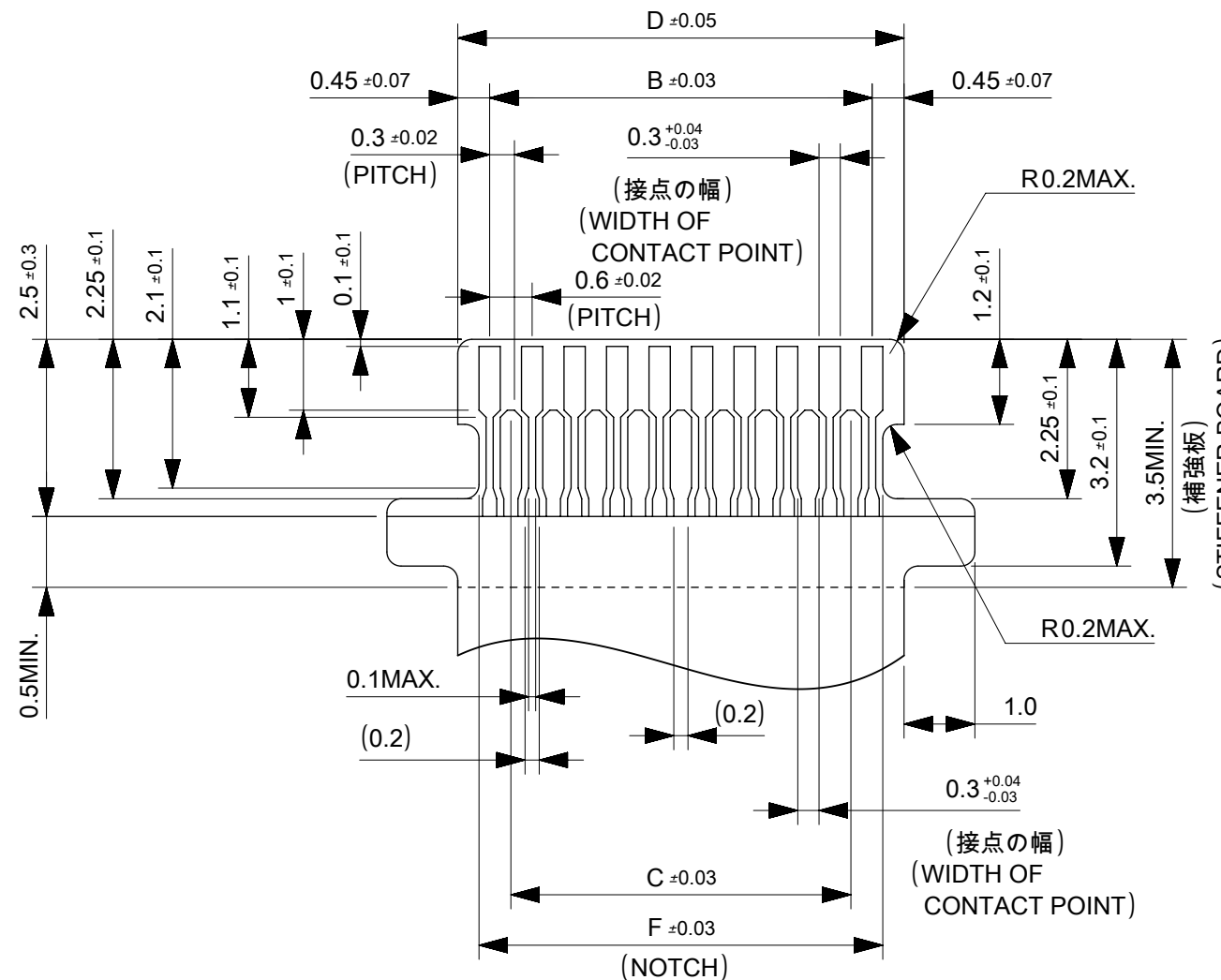
MODEL No. 502250\*\*20

THIS DRAWING CONTAINS INFORMATION THAT IS PROPRIETARY TO MOLEX ELECTRONIC TECHNOLOGIES, LLC AND SHOULD NOT BE USED WITHOUT WRITTEN PERMISSION

EC NO: 104567 DRWN: RLALSANGI CHK'D: KTAKAHASHI APPR: TKUSUHARA01	2016/01/22	GENERAL TOLERANCES (UNLESS SPECIFIED) ANGULAR TOL $\pm 3.0^\circ$ 4 PLACES $\pm 0.2$ 3 PLACES $\pm 0.2$ 2 PLACES $\pm 0.25$ 1 PLACE $\pm 0.3$ 0 PLACES $\pm 0.3$	DIMENSION UNITS	SCALE		
	2016/05/09		MM	15:1		
	2016/05/09		DRWN BY	DATE		RLALSANGI 2016/01/22
			CHK'D BY	DATE		KTAKAHASHI 2016/05/09
			APPR BY	DATE		TKUSUHARA01 2016/05/09
		DRAFT WHERE APPLICABLE MUST REMAIN WITHIN DIMENSIONS	DRAWING SIZE	THIRD ANGLE PROJECTION	PRODUCT CUSTOMER DRAWING	
A	REV		A3		SERIES: 502250	
					MATERIAL NUMBER: SEE CHART	
					CUSTOMER: GENERAL MARKET	
					DOCUMENT NUMBER: 5022501000	
					DOC TYPE: PSD	
					DOC PART: 000	
					SHEET NUMBER: 1 OF 3	



標準 FPC  
STANDARD



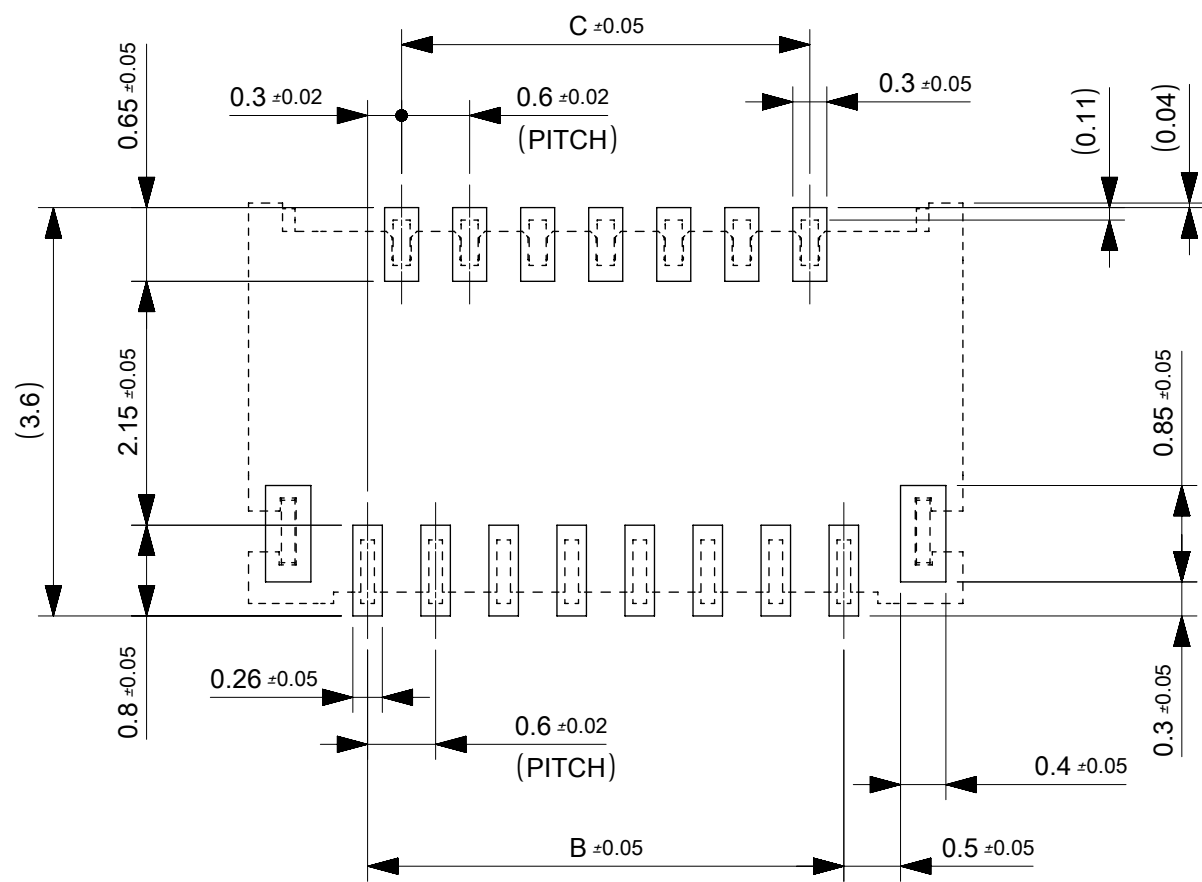
挿入位置確認用耳つき FPC  
WITH EARS FOR FPC INSERTION ALIGNMENT

嵌合 FPC 推奨寸法  
APPLICABLE FPC  
RECOMMENDED DIMENSION  
(仕上がり厚さ : 0.2 ± 0.03)  
(THICKNESS: 0.2 ± 0.03)

FPCについて：  
抜き方向は、導体側から補強板側を推奨致します。  
補強フィルム材質は、ポリイミドを推奨致します。  
接着剤は熱硬化接着剤を推奨します。  
尚、接着剤の接点部への付着は導通不良の原因になりますので、  
染み出しが無い様、お願い致します。

ABOUT FPC:  
RECOMMENDED PUNCHER DIRECTION:  
FROM CONDUCTOR SIDE TO STIFFNER FILM SIDE.  
RECOMMENDED MATERIAL:  
STIFFENER FILM : POLYIMIDE  
BONDING AGENT : THERMOSETTING AGENT  
PLEASE PUT APPROPRIATE AMOUNT OF ADHESIVE ON ADHEREND  
BECAUSE THERE IS A POSSIBILITY THAT THE EXTRA ADHESIVE  
CAUSES THE DEFECT IN ELECTRICAL CONTINUITY.

THIS DRAWING CONTAINS INFORMATION THAT IS PROPRIETARY TO MOLEX ELECTRONIC TECHNOLOGIES, LLC AND SHOULD NOT BE USED WITHOUT WRITTEN PERMISSION											
EC NO: 104567 DRWN: RLALSANGI CHK'D: KTAKAHASHI APPR: TKUSUHARA01	2016/01/22	2016/05/09	2016/05/09	GENERAL TOLERANCES (UNLESS SPECIFIED) ANGULAR TOL ± 3.0 ° 4 PLACES ± 0.2 3 PLACES ± 0.2 2 PLACES ± 0.25 1 PLACE ± 0.3 0 PLACES ± 0.3	DIMENSION UNITS	SCALE					
					MM	10:1					
					DRWN BY	DATE	0.3 FPC CONN E/O B/F HSG ASSY HGT=0.9MM				
					RLALSANGI	2016/01/22					
					CHK'D BY	DATE	PRODUCT CUSTOMER DRAWING				
					KTAKAHASHI	2016/05/09					
			APPR BY	DATE	SERIES: 502250 MATERIAL NUMBER: SEE CHART CUSTOMER: GENERAL MARKET						
			TKUSUHARA01	2016/05/09							
			DRAWING SIZE	THIRD ANGLE PROJECTION	DOCUMENT NUMBER: 5022501000 DOC TYPE: PSD DOC PART: 000 SHEET NUMBER: 2 OF 3						
			A3								



推奨基板レイアウト図(マウント面)  
P.C BOARD PATTERN  
RECOMMENDED DIMENSION  
(MOUNTING AREA)

推奨メタルマスク開口率について  
開口率 : 推奨パターン面積の100%  
ABOUT METAL MASK SPECIFICATION  
RECOMMEND APERTURE RATE : 100%

注記 NOTES

- 使用材料 MATERIAL  
ハウジング : 液晶ポリマー ガラス充填 UL94V-0 ( ナチュラル )  
HOUSING : LIQUID CRYSTAL POLYMER (GLASS FILLED)  
UL94V-0(COLOR:NATURAL)  
アクチュエータ : ポリフェニレンサルファイド ガラス充填 UL94V-0 ( 黒 )  
ACTUATOR : POLYPHENYLENE SULFIDE (GLASS FILLED)  
UL94V-0(COLOR:BLACK)  
ターミナル : 銅合金,ニッケル下地部分金メッキ ( 接触部及びテール部 )  
TERMINAL : COPPER ALLOY,  
PARTLY GOLD(CONTACT,TAIL) OVER NICKEL PLATING  
ネイル : リン青銅,ニッケル下地錫めっき  
FITTING NAIL : PHOSPHOR-BRONZE, TIN OVER NICKEL PLATING
- ソルダーテール半田付け面,及びネイル半田付け面の平坦度 : 0.1mmMAX.  
COPLANARITY OF SOLDER TAILS AND FITTING NAILS  
TO BE 0.1mm MAX.
- 基板実装前にアクチュエータを操作しないで下さい。  
PLEASE DO NOT OPERATE THE ACTUATOR BEFORE MOUNTING.  
必ず基板に実装し,FPCを挿入してからアクチュエータを操作して下さい。  
PLEASE OPERATE THE ACTUATOR AFTER MOUNTING ON  
THE SUBSTRATE,AND MATING FPC.
- 推奨メタルマスク RECOMMENDED METAL MASK SPECIFICATION  
マスク厚 : 0.1mm MASK THICKNESS : 0.1mm  
なお,貴社にて上記以外でご使用頂く場合は,事前に確認頂きますようお願い致します。  
WHEN USE IT OTHER THAN THE ABOVE IN YOUR COMPANY,  
PLEASE CONFIRM IT BEFOREHAND.
- ELV 及び RoHS適合品  
ELV AND RoHS COMPLIANT.

THIS DRAWING CONTAINS INFORMATION THAT IS PROPRIETARY TO MOLEX ELECTRONIC TECHNOLOGIES, LLC AND SHOULD NOT BE USED WITHOUT WRITTEN PERMISSION

EC NO: 104567 DRWN: RLALSANGI CHK'D: KTAKAHASHI APPR: TKUSUHARA01	2016/01/22	2016/05/09	2016/05/09	GENERAL TOLERANCES (UNLESS SPECIFIED) ANGULAR TOL ± 3.0 ° 4 PLACES ± 0.2 3 PLACES ± 0.2 2 PLACES ± 0.25 1 PLACE ± 0.3 0 PLACES ± 0.3 DRAFT WHERE APPLICABLE MUST REMAIN WITHIN DIMENSIONS	DIMENSION UNITS	SCALE						
					MM	10:1						
					DRWN BY	DATE	RLALSANGI	2016/01/22	0.3 FPC CONN E/O B/F HSG ASSY HGT=0.9MM			
					CHK'D BY	DATE	KTAKAHASHI	2016/05/09				
			APPR BY	DATE	TKUSUHARA01	2016/05/09	PRODUCT CUSTOMER DRAWING					
			DRAWING SIZE	THIRD ANGLE PROJECTION	A3			SERIES	MATERIAL NUMBER	CUSTOMER		
							502250	SEE CHART	GENERAL MARKET			
							DOCUMENT NUMBER	DOC TYPE	DOC PART	SHEET NUMBER		
							5022501000	PSD	000	3 OF 3		